

F

F

E

E

D

D

C

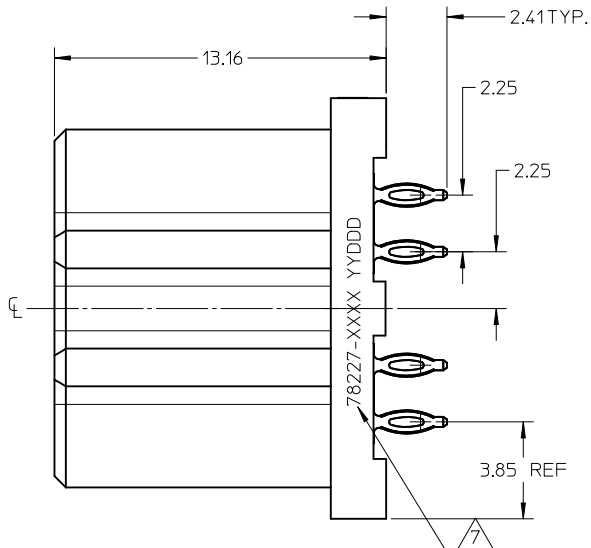
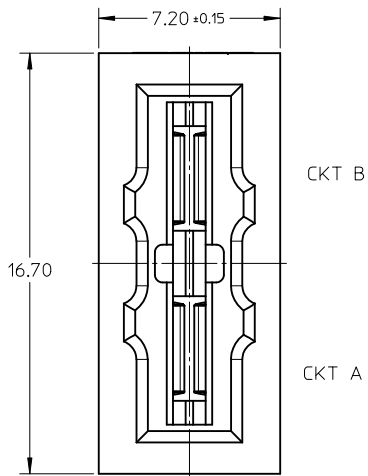
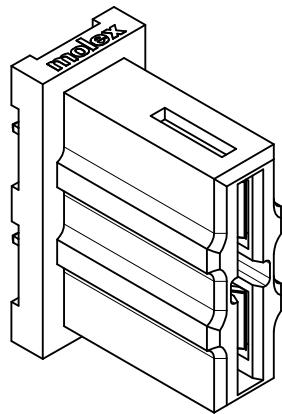
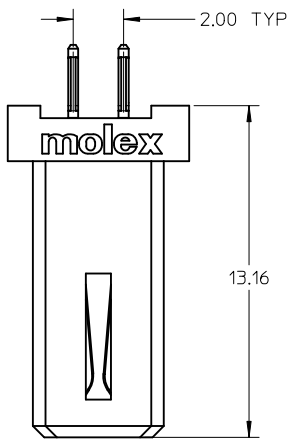
C

B

B

A

A



NOTES:

1. MATERIALS :
 HOUSING - LCP, GLASS FILLED, UL94-V0, COLOR: BLACK.
 POWER PIN - COPPER ALLOY
2. FINISHES :
 0.76 MICROMETER MINIMUM GOLD AT CONTACT AREA AND
 2.54 MICROMETER MINIMUM TIN AT SOLDER TAIL AREA
 OVER 1.27um MINIMUM NICKEL UNDERPLATE.
3. PRODUCT SPECIFICATION: PS-78231-006.



4. COMPONENT STAY AWAY ZONE FROM CONNECTOR.
5. PCB NOTE FOR PLATED HOLE.

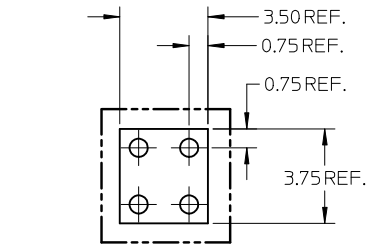
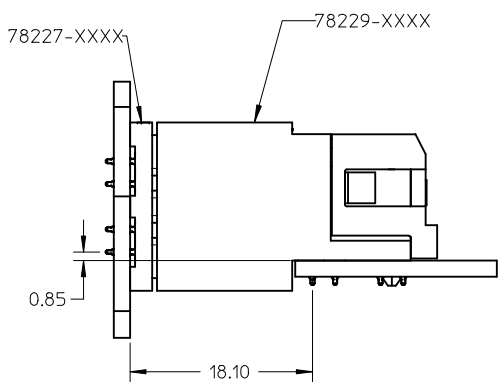
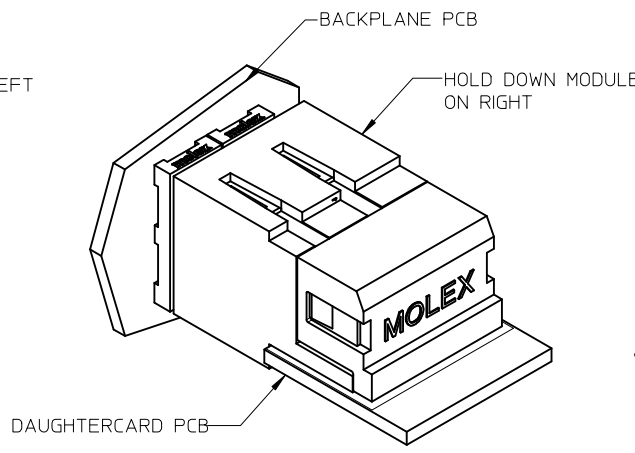
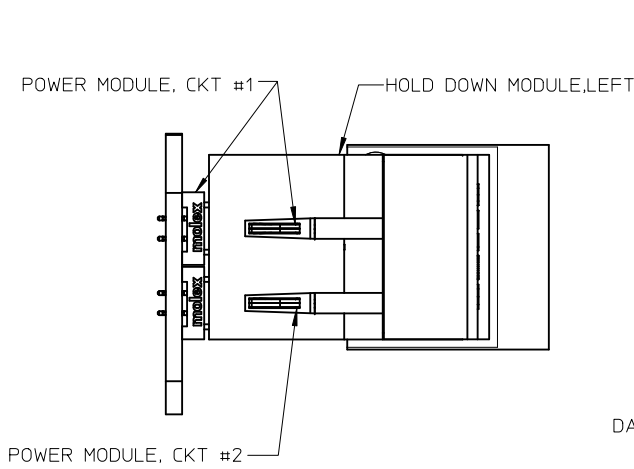
TYPE OF PLATED HOLE	DRILLED HOLE SIZE	PLATING THICKNESS	PLATED HOLE SIZE "ØDIM H"
TIN	0.838	0.007 MIN TIN/SILVER	0.725±0.075
SILVER	0.863	OVER 0.03 TO 0.08 COPPER PLATING	0.750±0.050

SEE SHEET 2 OR SHEET 3 FOR RECOMMENDED PCB LAYOUT.

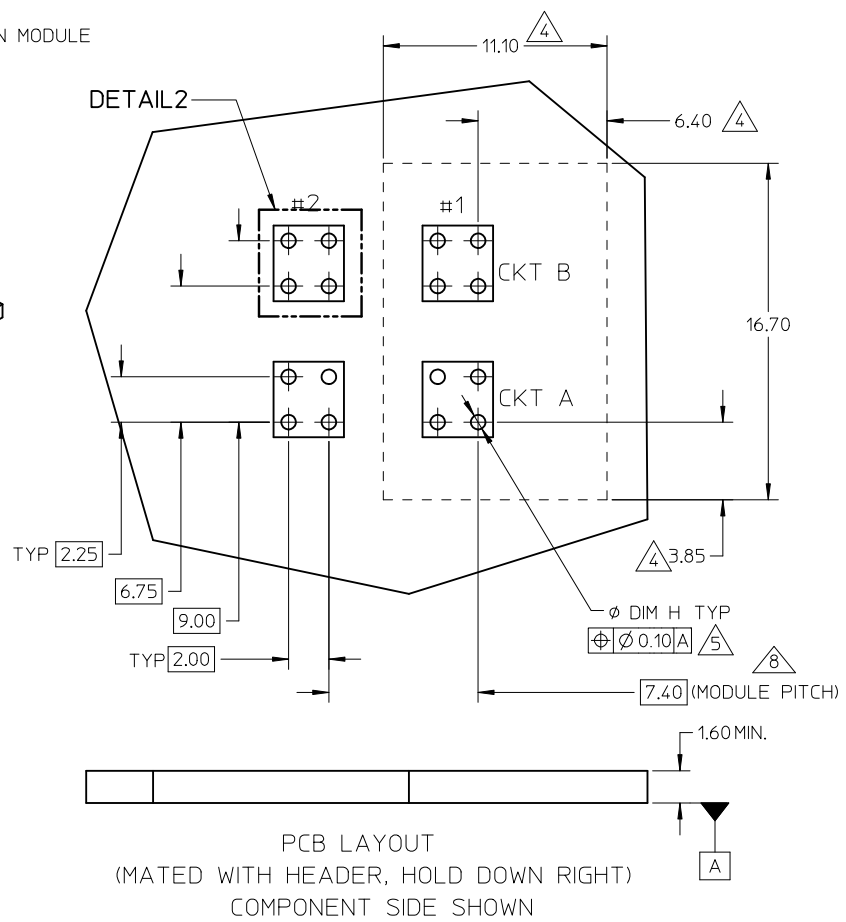
6. MATES WITH 78229-****.
7. PART NUMBER AND YY-DDD CODE.
8. ADD 7.4MM FOR EACH ADDITIONAL POWER MODULE.
9. PACKAGING PROCEDURE AS PER PK-78227-001.

REMOVE PB/SN EC NO: S2012-0580 DRWN: SHONG CHKD: LNG APPR: NAGESHKIN	2012/01/31 2012/02/13 2012/02/13	DESCRIPTION REV	QUALITY SYMBOLS	GENERAL TOLERANCES (UNLESS SPECIFIED)	DIMENSION STYLE	SCALE	DESIGN UNITS	THIRD ANGLE PROJECTION
			▼=0 C=0	mm INCH 4 PLACES ± --- ± --- 3 PLACES ± --- ± --- 2 PLACES ± 0.25 ± --- 1 PLACE ± --- ± --- ANGULAR ± 3 °	MM ONLY DRAWN BY DATE LNG 2006/08/28 CHECKED BY DATE NRVITTAPALLI 2007/01/24 APPROVED BY DATE NAGESHKIN 2012/01/06	NTS TITLE I-TRAC POWER, 7 ROW VERTICAL RECEPTACLE PRESS-FIT	M MOLEX INCORPORATED	
			DRAFT WHERE APPLICABLE MUST REMAIN WITHIN DIMENSIONS	MATERIAL NO. 782271001	DOCUMENT NO. SD-78227-011	SHEET NO. 1 OF 3		
			THIS DRAWING CONTAINS INFORMATION THAT IS PROPRIETARY TO MOLEX INCORPORATED AND SHOULD NOT BE USED WITHOUT WRITTEN PERMISSION					

MATED DIMENSIONS AND PCB LAYOUT WITH HEADER HOLD DOWN LEFT



DETAIL 2
COPPER PAD REFERENCE



REMOVE PB/SN EC NO: S2012-0580 DRWN: SHONG CHKD: LNG APPR: NAGESHKN 2012/01/31 2012/02/13 2012/02/13	DESCRIPTION ▽=0 ◻=0	QUALITY SYMBOLS		GENERAL TOLERANCES (UNLESS SPECIFIED)		DIMENSION STYLE MM ONLY		SCALE NTS		DESIGN UNITS METRIC		THIRD ANGLE PROJECTION			
DRAFT WHERE APPLICABLE MUST REMAIN WITHIN DIMENSIONS	ANGULAR ± 3 °		DRAWN BY LNG		DATE 2006/08/28		TITLE I-TRAC POWER, 7 ROW VERTICAL RECEPTACLE PRESS-FIT								
				CHECKED BY NRVITTAPALLI		DATE 2007/01/24		MOLEX INCORPORATED							
				APPROVED BY NAGESHKN		DATE 2012/01/06		DOCUMENT NO. 782271001				SHEET NO. 2 OF 3			
						MATERIAL NO. 782271001		SD-78227-011							
						SIZE A3		THIS DRAWING CONTAINS INFORMATION THAT IS PROPRIETARY TO MOLEX INCORPORATED AND SHOULD NOT BE USED WITHOUT WRITTEN PERMISSION							

