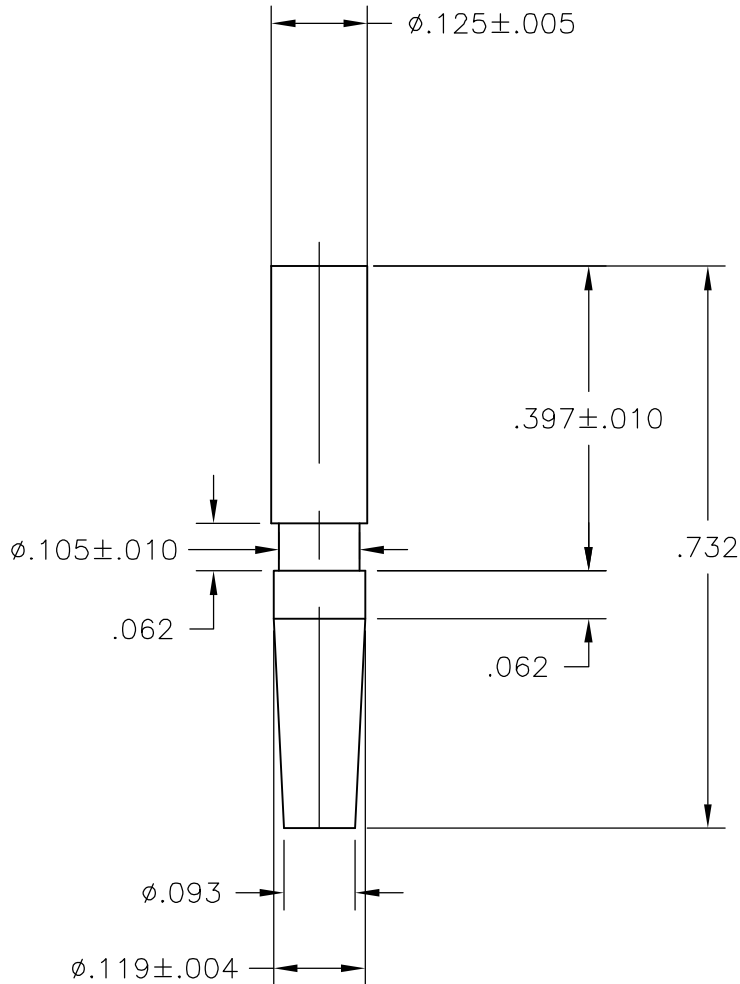


LOC	DIST	REVISIONS					
CM	0	P	LTR	DESCRIPTION	DATE	DWN	APVD
		A		ECO-06-019792	18AUG06	KW	DC



RELEASED FOR PUBLICATION

ALL RIGHTS RESERVED.

BY TYCO ELECTRONICS CORPORATION.

THIS DRAWING IS UNPUBLISHED.



1586417-1
PART NO.

DIMENSIONS: INCHES	DWN	08AUG2006	MATERIAL	NYLON	FINISH	-				
	CHK	K. WHITAKER	08AUG2006	Tyco Electronics Corporation Harrisburg, PA 17105-3608						
TOLERANCES UNLESS OTHERWISE SPECIFIED:	APVD	D. COLEY	08AUG2006				NAME			
	PRODUCT SPEC	D. COLEY	08AUG2006	KEYING PLUG, COMMERCIAL MATE-N-LOK(TM)						
	APPLICATION SPEC	-	-	SIZE	CAGE CODE	DRAWING NO	RESTRICTED TO			
0 PLC ± -	1 PLC ± -	2 PLC ± -	3 PLC ± .005	4 PLC ± -	ANGLES ± -	WEIGHT	A4	00779	C-1586417	-
CUSTOMER DRAWING				SCALE	4:1	SHEET	1 OF 1	REV	A	

