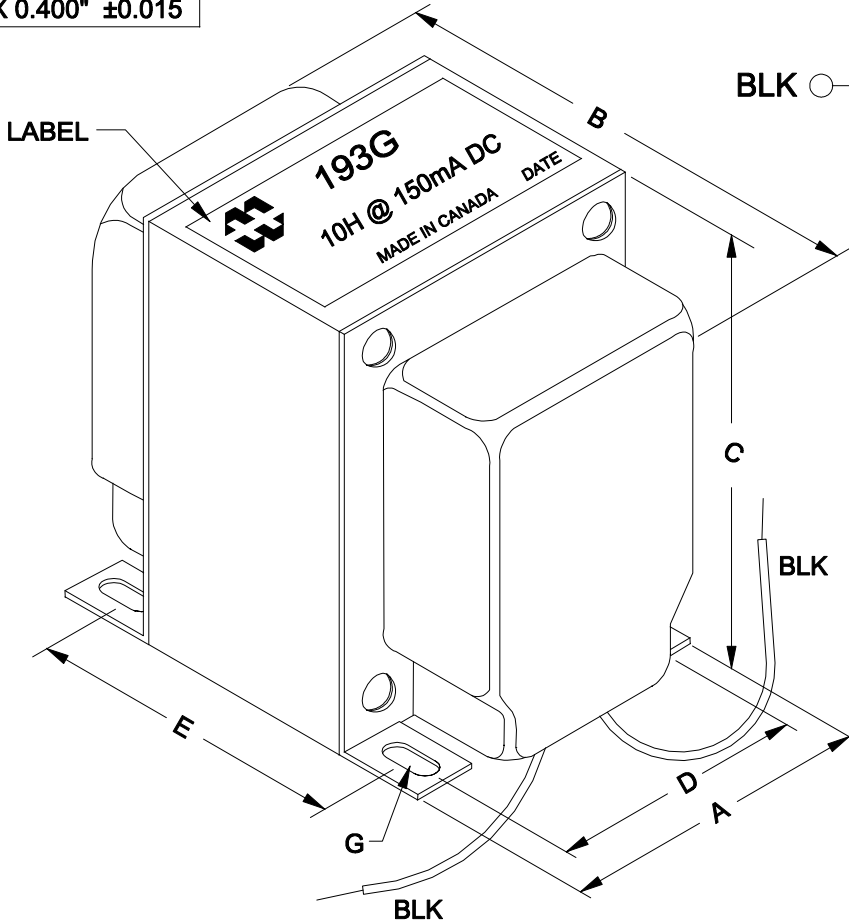
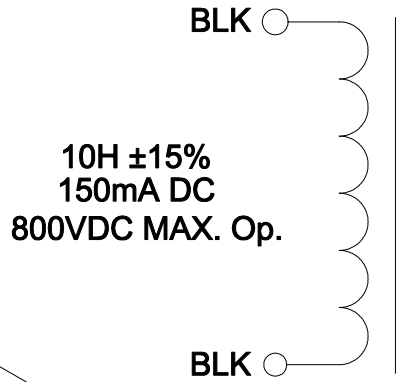


DIMENSIONS:	
A	3.125" ±0.063
B	3.185" ±0.125
C	3.795" ±0.063
D	2.500" ±0.063
E	1.938" ±0.063
G	0.203" X 0.400" ±0.015



NOTE: ALL LEADS 8" OUT MIN., STRIPPED .5"

ELECTRICAL DATA:		
TESTS	CONDITIONS	ACCEPTANCE CRITERIA
INDUCTANCE	@ 30V, 60Hz, 150mA DC, BLK - BLK	10H ±15%
DCR	@ 20°C, BLK - BLK =	102.5 Ω ±15%
HIPOT	PRIMARY - SECONDARY	2000V, 60Hz, 1 SEC

HAMMOND
MANUFACTURING™

ELECTRONIC DIVISION
52 RANKIN PLACE,
WATERLOO, ONTARIO, N2J 3Z5
PH # (519) 886-6181
FAX # (519) 886-9540

TITLE

INDUCTOR

NO	DATE	REVISION	DWG. BY
0	03/05/15	RELEASED.	C.I. CORINA ILIE
			DATE 03/05/15
			DIM IN(X)MM()

193G