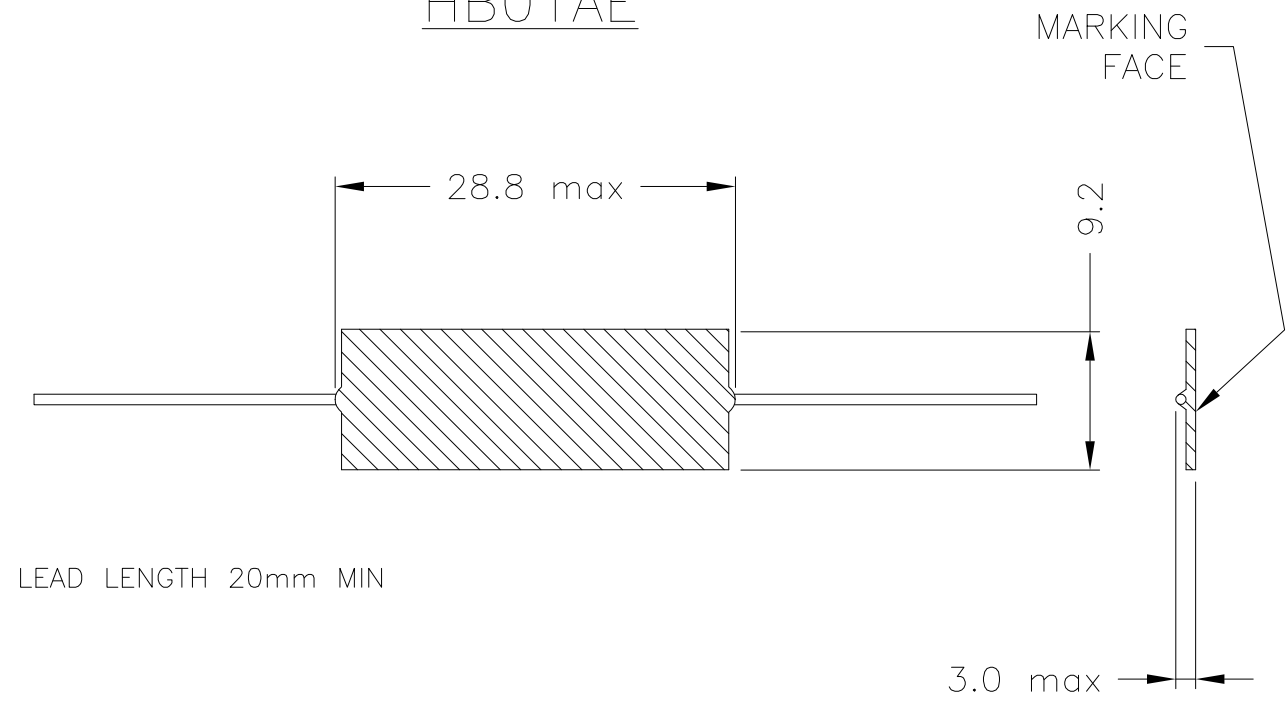


THIS DRAWING IS UNPUBLISHED. RELEASED FOR PUBLICATION
 © COPYRIGHT - By - ALL RIGHTS RESERVED.

LOC	DIST	REVISIONS			
P	LTR	DESCRIPTION	DATE	DWN	APVD
	B1	REVISED PER ECO-11-005150	21MAR11	RK	HMR

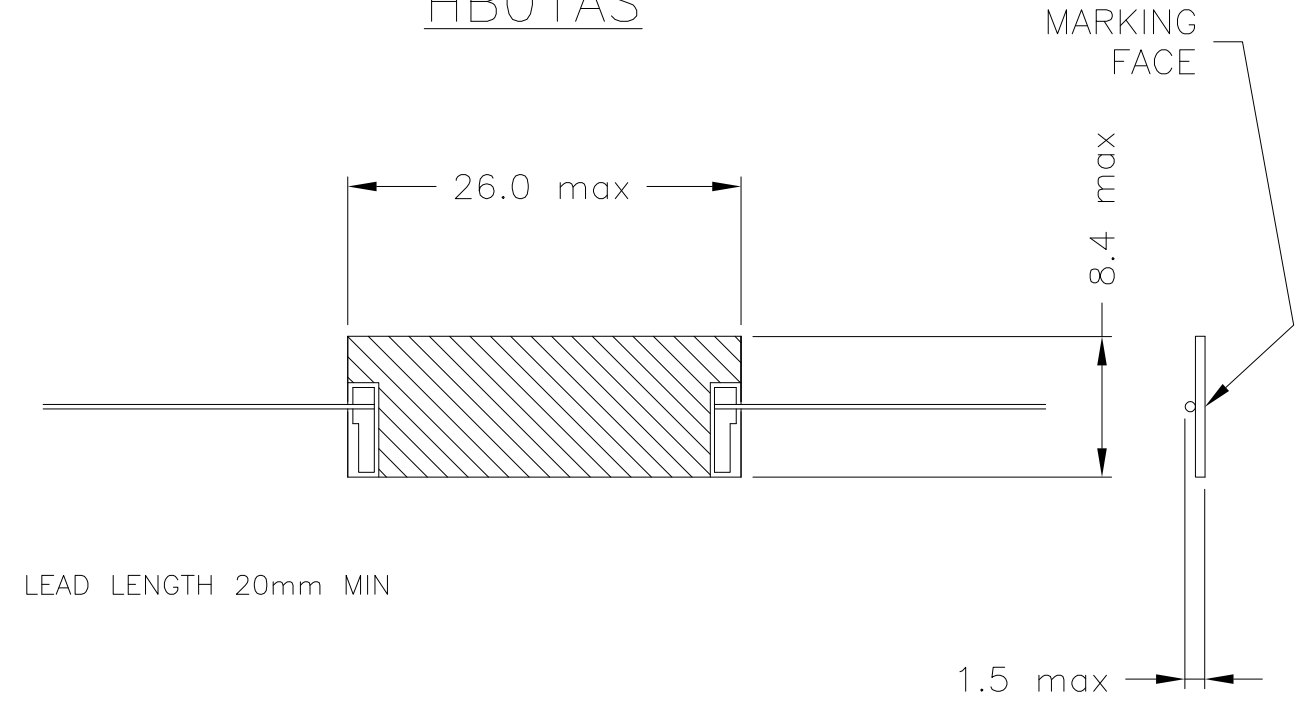
HB01AE



DESCRIPTION: HIGH VOLTAGE THICK FILM RESISTOR.
 LEAD MATERIAL: TINNED COPPER WIRE
 LEAD CROSS-SECTION: 0.6 +/-0.5 DIA
 HYBRID PROTECTION: CONFORMAL EPOXY COATING
 MARKING: AS SHOWN BELOW ON MARKING FACE

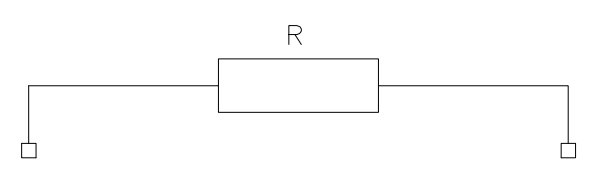
HB01A
 VAL. TOL. TCR
 DATE CODE

HB01AS



DESCRIPTION: HIGH VOLTAGE THICK FILM RESISTOR.
 LEAD MATERIAL: TINNED COPPER WIRE
 LEAD CROSS-SECTION: 0.6 +/-0.5 DIA
 HYBRID PROTECTION: SCREEN PRINTED SILICONE COATING
 MARKING: AS SHOWN BELOW ON MARKING FACE

HB01A
 VAL. TOL. TCR
 DATE CODE



TYPICAL SCHEMATIC

FOR A SPECIFIC PN FOR A RESISTANCE VALUE AND TOLERANCE, PLEASE REFER TO DMF.

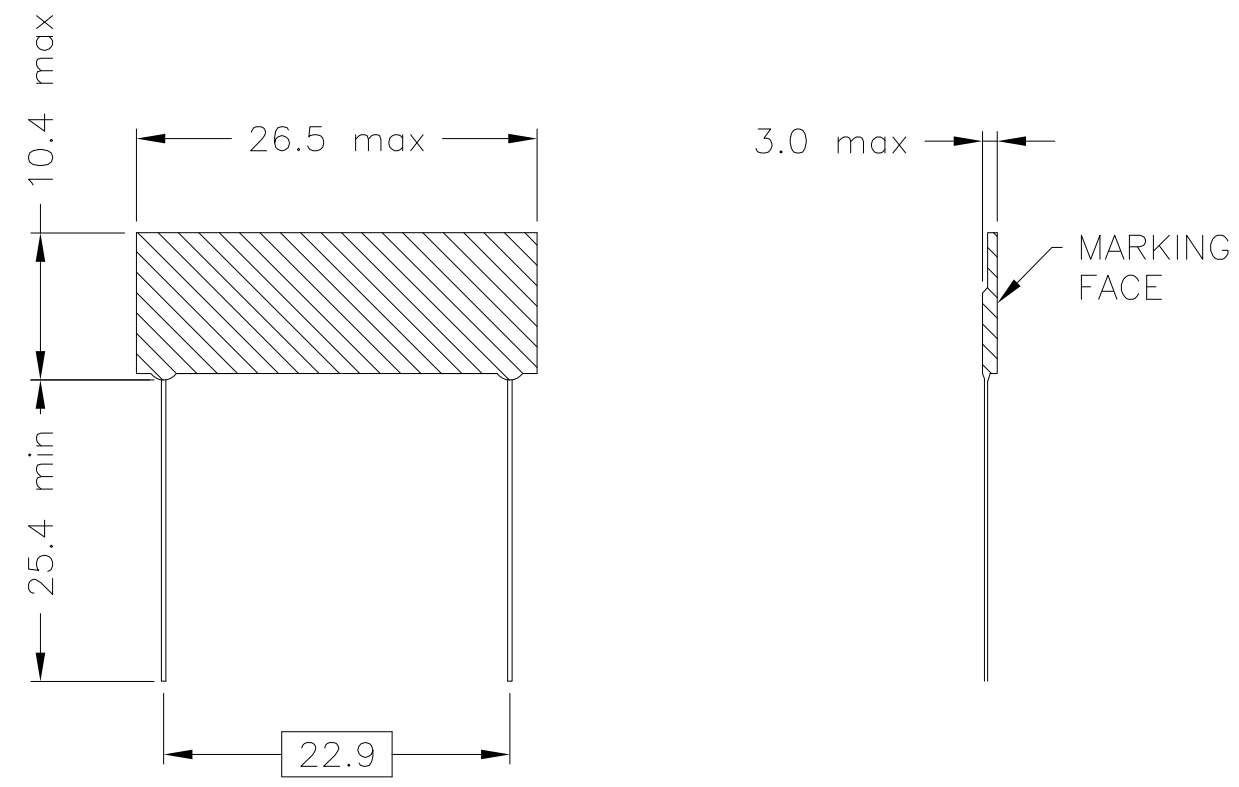
RoHS Compliant

THIS DRAWING IS A CONTROLLED DOCUMENT.		DWN 31OCT2005 DAVE KENNEDY	STE TE Connectivity		
DIMENSIONS: MM		CHK 01NOV05 J CATCHPOLE			
TOLERANCES UNLESS OTHERWISE SPECIFIED:		APVD 01NOV05 J CATCHPOLE	PRODUCT SPEC		RESTRICTED TO
0 PLC ± -		PRODUCT SPEC	APPLICATION SPEC		SIZE
1 PLC ± -		APPLICATION SPEC	WEIGHT		CAGE CODE
2 PLC ± -		WEIGHT	DRAWING NO		SCALE
3 PLC ± -		CUSTOMER DRAWING	A3 00779 C-1625958		SHEET
4 PLC ± -		FINISH	CUSTOMER DRAWING		1 OF 2
ANGLES ± -		FINISH	CUSTOMER DRAWING		REV B1
MATERIAL		FINISH	CUSTOMER DRAWING		

THIS DRAWING IS UNPUBLISHED. RELEASED FOR PUBLICATION
 © COPYRIGHT - By - ALL RIGHTS RESERVED.

LOC	DIST	REVISIONS			
P	LTR	DESCRIPTION	DATE	DWN	APVD
		SEE SHEET 1	-	-	-

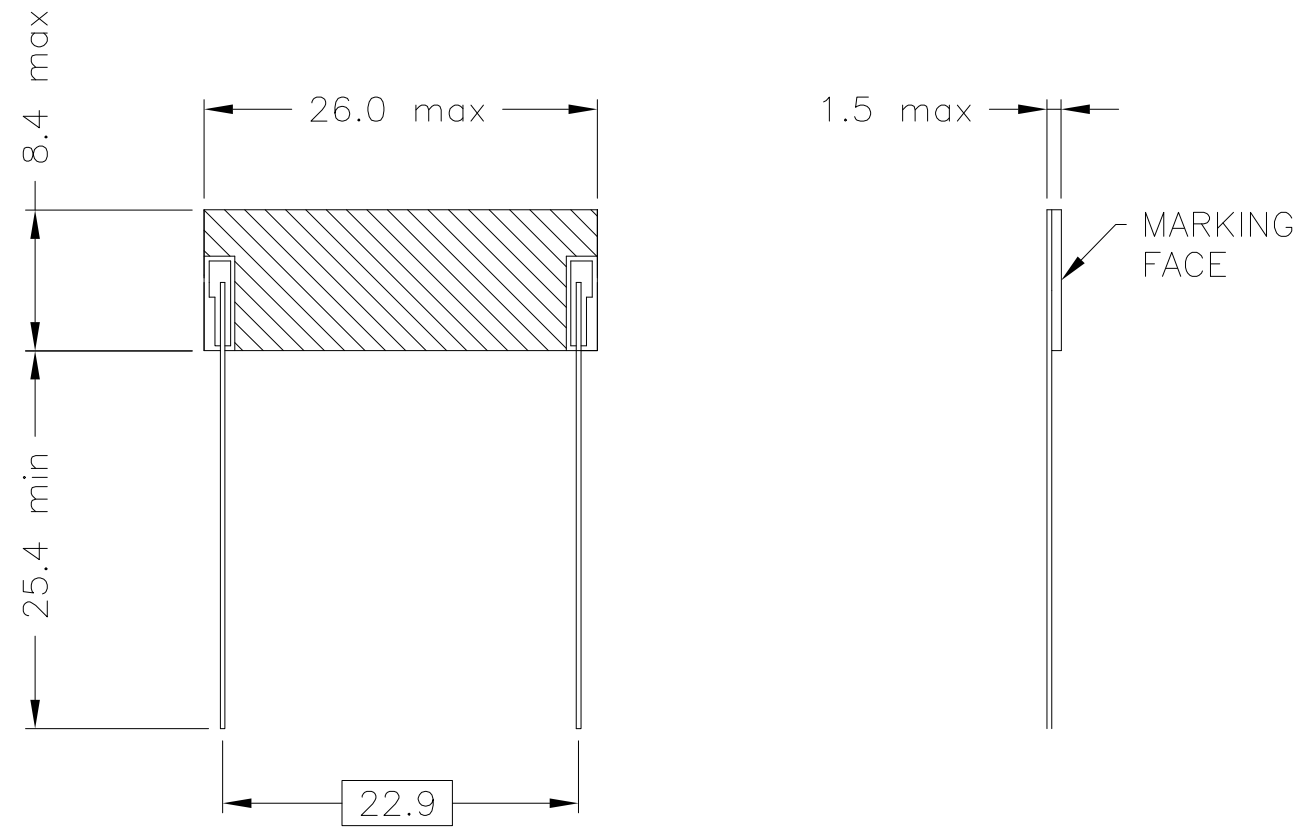
HB01RE



DESCRIPTION: HIGH VOLTAGE THICK FILM RESISTOR.
 LEAD MATERIAL: TINNED COPPER WIRE
 LEAD CROSS-SECTION: 0.6 +/-0.5 DIA
 HYBRID PROTECTION: CONFORMAL EPOXY COATING
 MARKING: AS SHOWN BELOW ON MARKING FACE

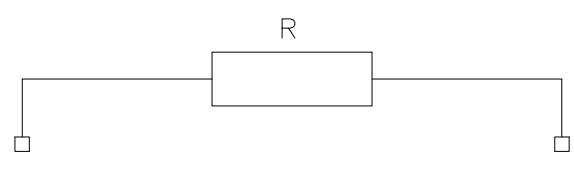
HB01R
 VAL. TOL. TCR
 DATE CODE

HB01RS



DESCRIPTION: HIGH VOLTAGE THICK FILM RESISTOR.
 LEAD MATERIAL: TINNED COPPER WIRE
 LEAD CROSS-SECTION: 0.6 +/-0.5 DIA
 HYBRID PROTECTION: SCREEN PRINTED SILICONE COATING
 MARKING: AS SHOWN BELOW ON MARKING FACE

HB01R
 VAL. TOL. TCR
 DATE CODE



TYPICAL SCHEMATIC

FOR A SPECIFIC PN FOR A RESISTANCE VALUE AND TOLERANCE, PLEASE REFER TO DMF.

RoHS Compliant

THIS DRAWING IS A CONTROLLED DOCUMENT.		DWN 31OCT2005 DAVE KENNEDY	STE TE Connectivity	
DIMENSIONS: MM		CHK 01NOV05 J CATCHPOLE		
TOLERANCES UNLESS OTHERWISE SPECIFIED:		APVD 01NOV05 J CATCHPOLE	NAME HB01	
0 PLC ± -		PRODUCT SPEC	-	
1 PLC ± -		APPLICATION SPEC	-	
2 PLC ± -		WEIGHT -	SIZE A3	CAGE CODE 00779
3 PLC ± -		MATERIAL -	DRAWING NO C-1625958	
4 PLC ± -			RESTRICTED TO -	
ANGLES ± -		CUSTOMER DRAWING		SCALE NTS
FINISH -		SHEET 2 OF 2		REV B1