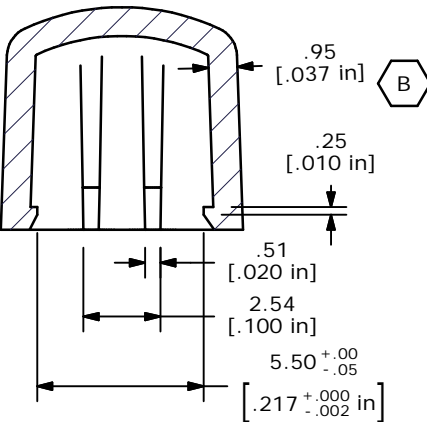
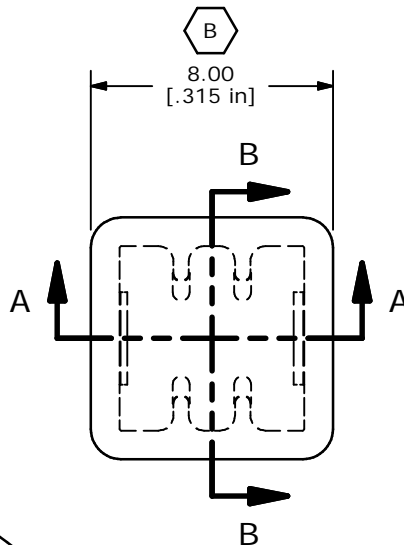
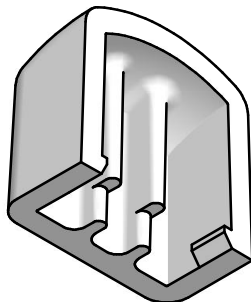
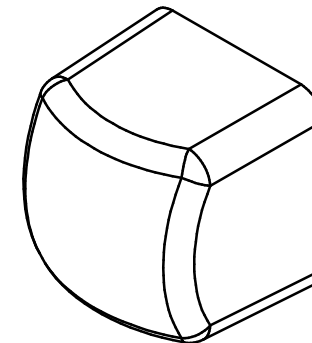
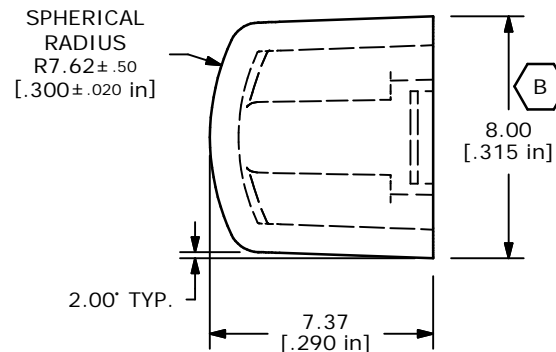


SECTION B-B
SCALE 4 : 1



SECTION A-A
SCALE 4 : 1



ISOMETRIC

- NOTES:
 1. ALL DIMENSIONS IN MM [INCH]
 2. GENERAL TOLERANCE: X.X=±0.4

X.XX=±0.25

- ▲ 3. MATERIAL: POLYCARBONUTE, TRANSLUCENT WHITE
 4. ▲ DENOTES CRITICAL PARAMETER.

E-SWITCH®

TITLE 3J CAP, TRANSLUCENT WHITE

REV	PCR NO	DESCRIPTION	DATE	BY
B	14225	CHANGE OVERALL BODY SIZE	8/11/04	AR
A	13823	RELEASED FOR PRODUCTION	3/9/04	AR

SCALE	DATE	DR	DWG	REV
4:1	3/9/04	AR	P001030	B

THE INFORMATION CONTAINED IN THIS DOCUMENT IS PROPRIETARY TO E-SWITCH AND IS NOT TO BE COPIED OR TRANSFERRED