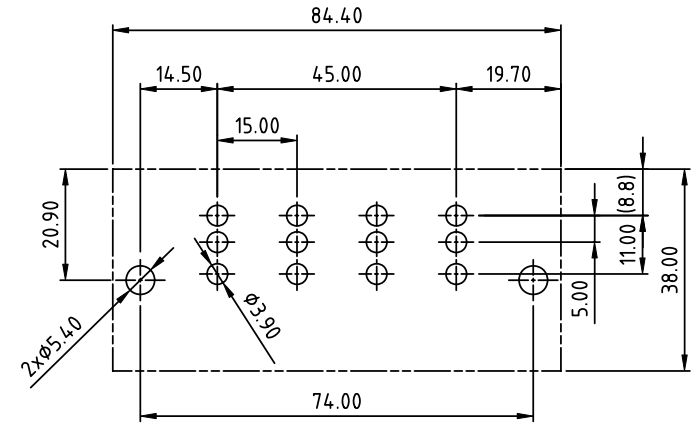
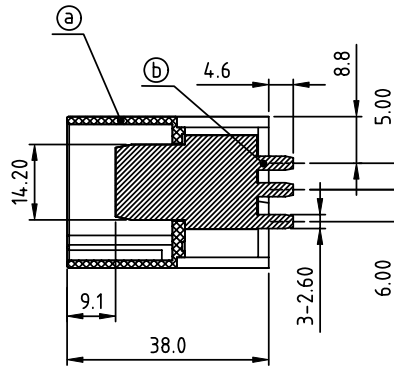
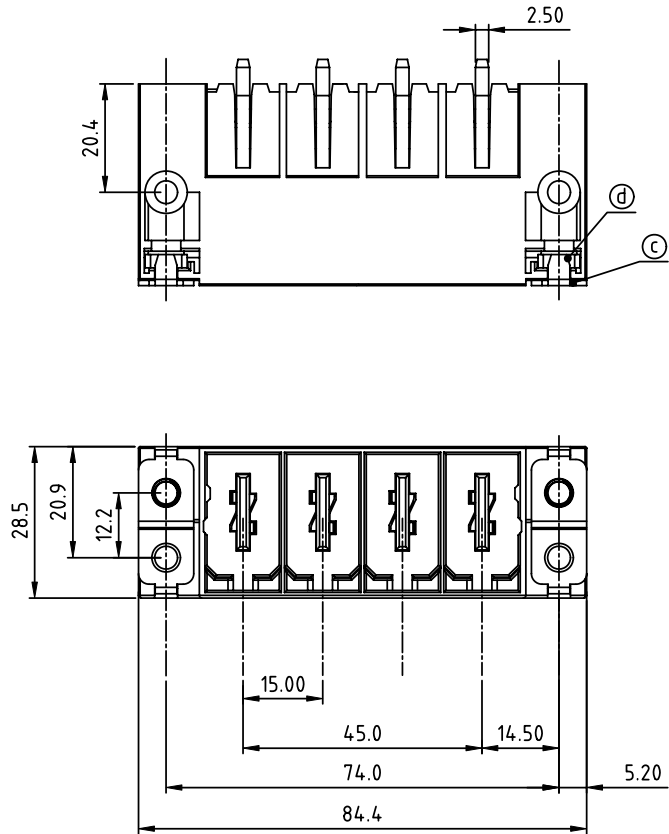


PRODUCT NUMBER	PITCH
KU04C2x000J0G	15.00 mm



RECOMMENDED P.C.B LAYOUT  
TOP VIEW

Material:

- Item ① Terminal housing: Thermoplastic (UL94V-0)
- Item ② Male contact: Copper, Gold plated.
- Item ③ Contact: Brass, Tin Plated.
- Item ④ With flange nut: Steel M5.0 zinc plated.

Electrical:

- Voltage rating: 600 V
- Current rating: 115 A
- Withstanding Voltage: 2.2 KV
- Operating temperature: -40°C to +115°C
- Soldering temperature: 260°C±5°C/5 Sec
- Safety Approval:

PART NO.: KU 04 C 2 x 0 00J0 G

- |                     |                 |
|---------------------|-----------------|
| Color               | RoHS compliant  |
| 0 Black (RAL9005)   | (lead<4%)       |
| 2 Red (RAL3001/D)   | In copper Alloy |
| 3 Orange(RAL2011/P) |                 |
| 4 Yellow(RAL1018/A) |                 |
| 5 Green(RAL6018/T)  |                 |
| 6 Blue (RAL5015/A)  |                 |
| 8 Grey(RAL7035/D)   |                 |
| 9 White(RAL1102)    |                 |
| C Green(RAL6018/U)  |                 |

mat'l. code		surface ASME Y14.5	tolerance ASME Y14.5	projection	product family
ltr ecn no dr date		tolerances unless otherwise specified			TERMINAL BLOCK
		angles	X.±0.5	MM	title
		X°±1'	X.X±0.3	scale	TERMINAL BLOCK PLUGGABLE SOCKET, VERTICAL, WITH FLANGE SHIELD FEED-THROUGH
		dr	EVIN ZHONG 050814		dwg no
		enrg	EVIN ZHONG 050814		sheet 1 of 1
		chr	HANKE FENG 050814		size
		appd	SHI JUN 050814		KU04C2x000J0G
sheet index		revision sheet	A 1		A4
					type
					CUSTOMER Drawing