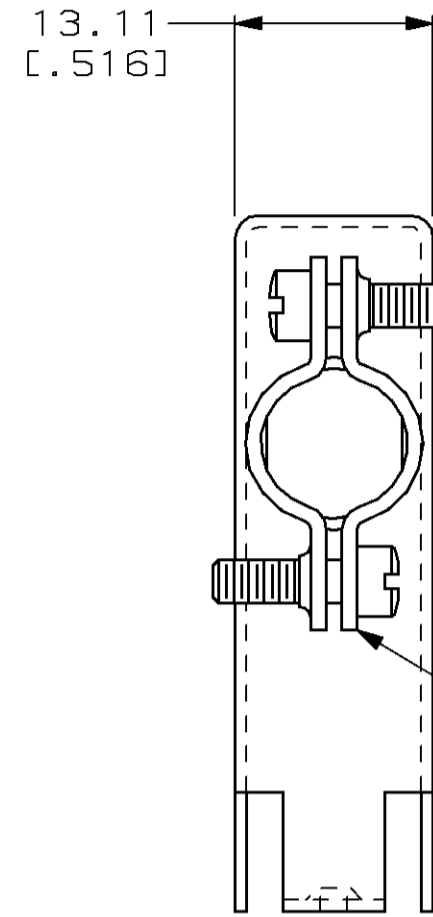
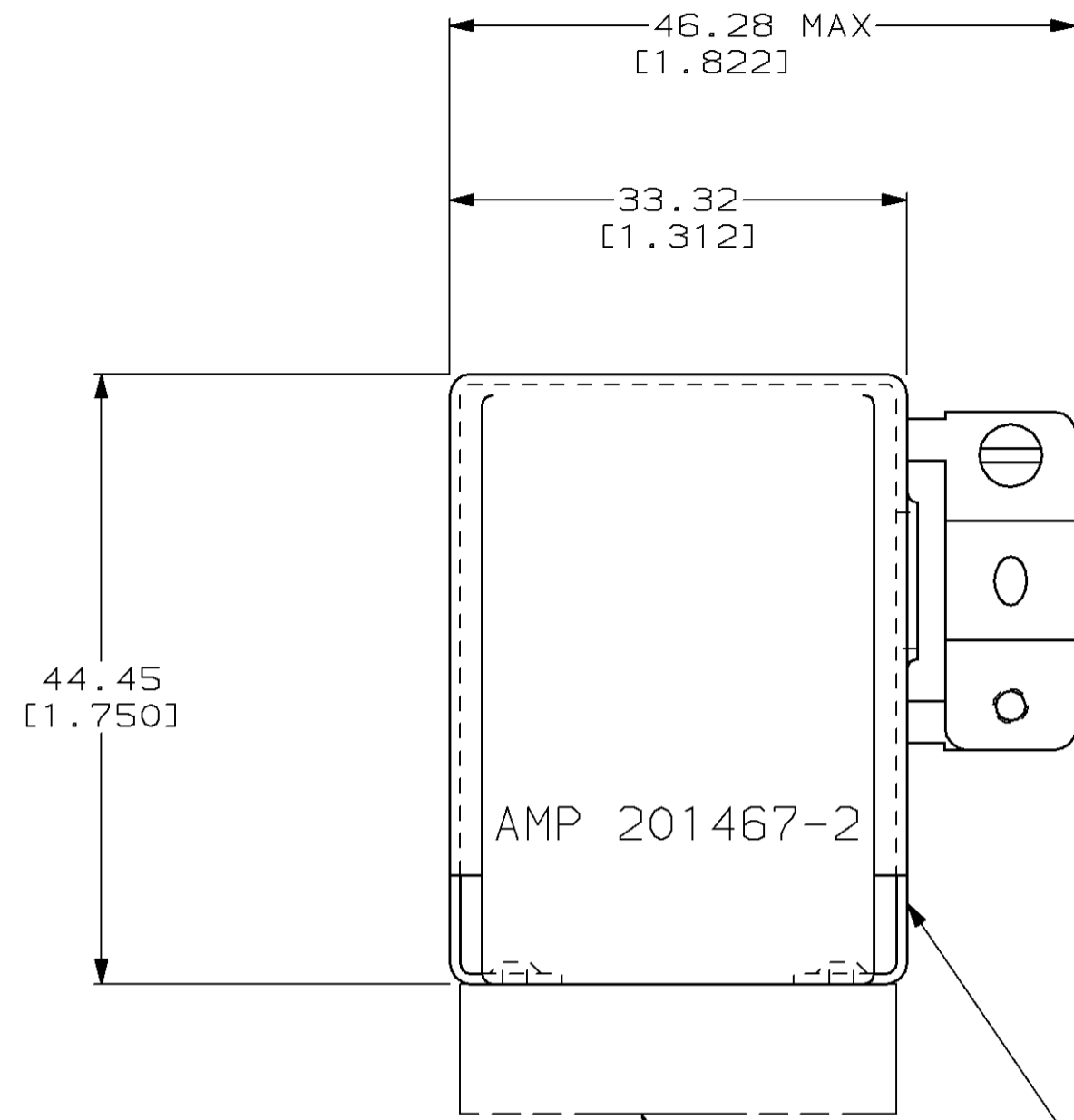


THIS DRAWING IS UNPUBLISHED. RELEASED FOR PUBLICATION  
 BY AMP INCORPORATED. ALL RIGHTS RESERVED.

LOC	DIST	REVISIONS			
P	LTR	DESCRIPTION	DATE	DWN	APVD
BD	36	F	REDRAWN PER EC 0020-1246-95	26 FEB 96	-



4-40 UNC FILLISTER HEAD SCREW  
 MATERIAL: CARBON STEEL  
 FINISH: 3.81µm [0.000150] MIN ZINC  
 2 EACH

CABLE CLAMP  
 MATERIAL: CARBON STEEL  
 FINISH: 5.08µm [0.000200] MIN NICKEL  
 2 EACH

SHIELD  
 MATERIAL: CARBON STEEL  
 FINISH: 5.08µm [0.000200] MIN NICKEL

BLOCK

ASSEMBLED VIEW

1. CABLE CLAMP WILL ACCEPT 14 WIRES OF 1.78 [0.070] MAX DIA.

201467-2  
 PART NUMBER

<small>THIS DRAWING IS A CONTROLLED DOCUMENT FOR AMP INCORPORATED. IT IS SUBJECT TO CHANGE AND THE CONTROLLING ENGINEERING ORGANIZATION SHOULD BE CONTACTED FOR THE LATEST REVISION.</small>		DWN C.DORWART 26 FEB 96 CHK R.STONE 29 FEB 96 APVD G.STEINHAUER 07 MAR 96	<b>AMP</b> AMP Incorporated Harrisburg, PA 17105-3608
DIMENSIONS: mm [INCHES]	TOLERANCES UNLESS OTHERWISE SPECIFIED: 0 PLC ±- 1 PLC ±- 2 PLC ±0.41 [0.016] 3 PLC ±- 4 PLC ±- ANGLES ±- FINISH -	PRODUCT SPEC - APPLICATION SPEC - WEIGHT -	NAME SHIELD KIT, UNASSEMBLED, 14 POSITION, M SERIES SIZE A2 CAGE CODE 00779 DRAWING NO C-201467
MATERIAL -		CUSTOMER DRAWING	SCALE 2:1 SHEET 1 OF 1 REV F

201467