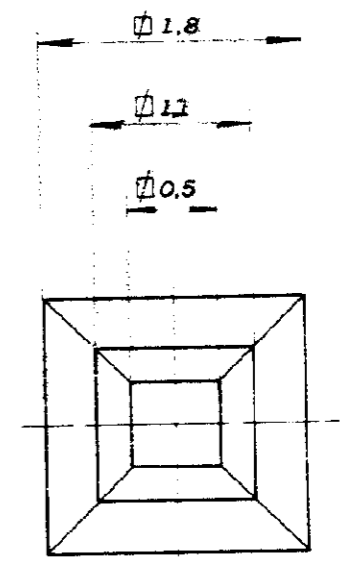
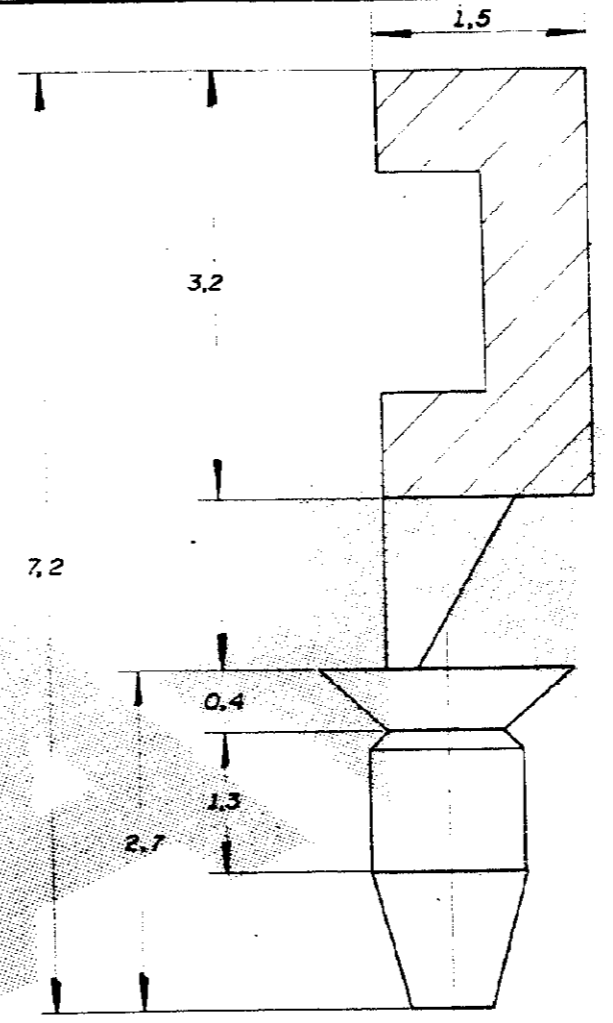
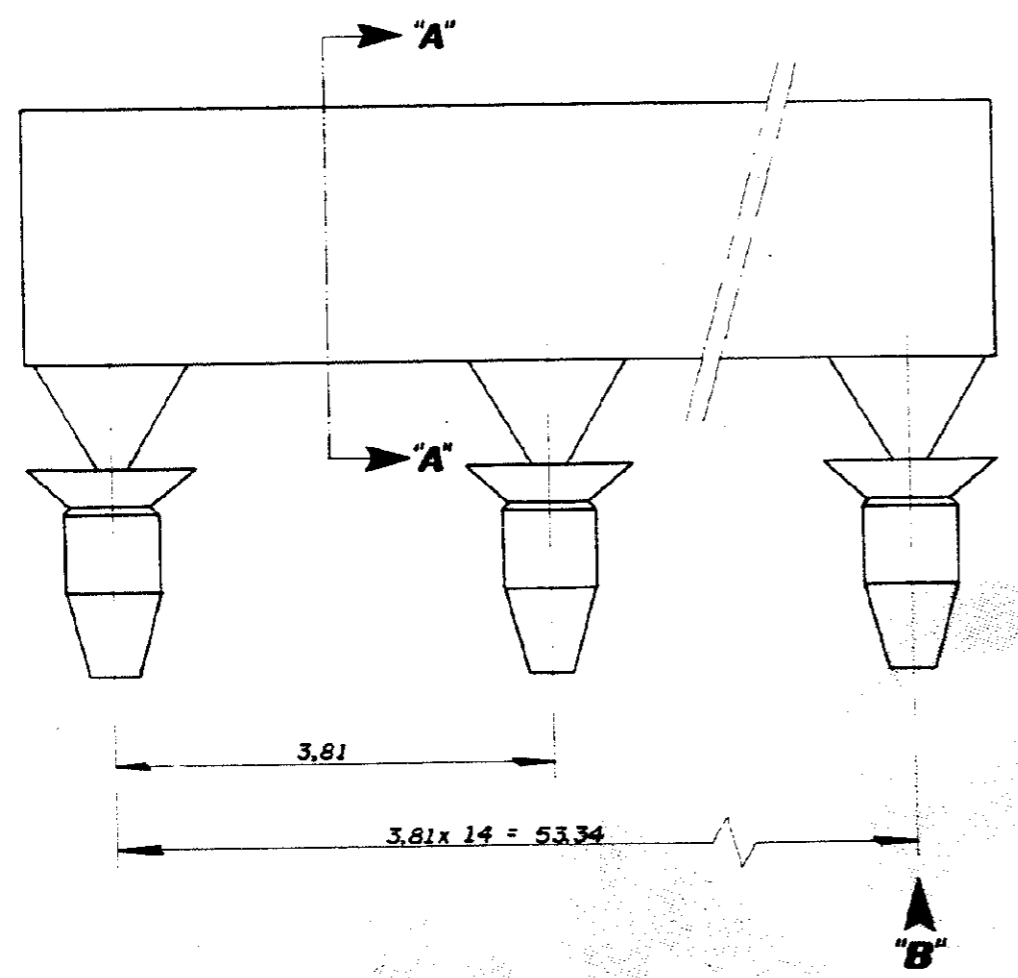


C 880292 1 of 1

DO NOT SCALE  
DIMENSIONS IN mm

**METRIC**



SECCÃO "A-A"

VISTO POR "B"

**NOTA:**

1- CADA BARRA CONTEM 15 POLARIZADORES

NATURAL		POLIAMIDA 6/6	880292-1
ACABAMENTO		MATERIAL	PART NUMBER
CUSTOMER DWG for REFERENCE ONLY			
THIS DRAWING IS UNPUBLISHED RELEASED FOR PUBLICATION © COPYRIGHT IS RESERVED AMP PRODUCTS MAY BE COVERED BY U.S. AND FOREIGN PATENTS AND/OR PATENTS PENDING.			
TOLERANCES UNLESS OTHERWISE STATED		INS. DIA. RANGE	WIRE RANGE
DEC ± 0.2		— // —	— // —
ANGLES ± 1°		SCALE	
DR. <i>Calvo</i> 11/01/84		AMP do BRASIL LTDA. São Paulo, Brasil	
B REVISADO C/ ECN 1010 <i>Calvo</i> 2 JAN 85		DESCRIPTION	
A ELIMINADA ORCAD 10 <i>Calvo</i>		KEYING PLUG FOR MODU HOUSING	
O ERA P 83-29087 <i>Calvo</i> 11/1/84		DWS NO	
REVISION RECORD		A3 C 880292	
DR	CHK	DATE	APP
			SHEET 1 OF 1