

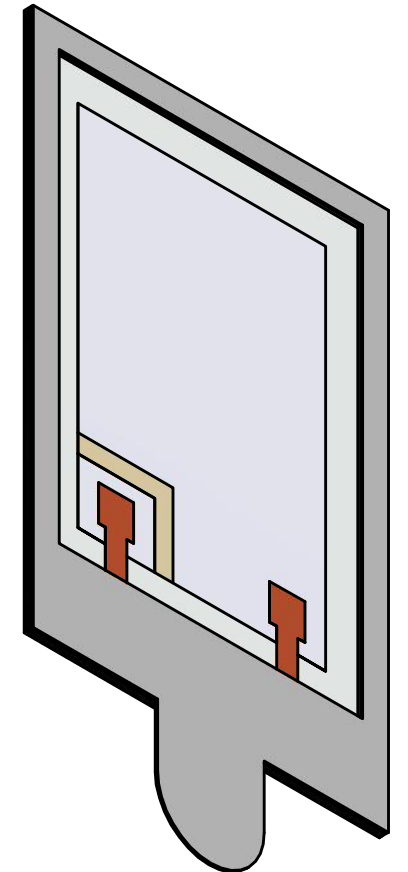
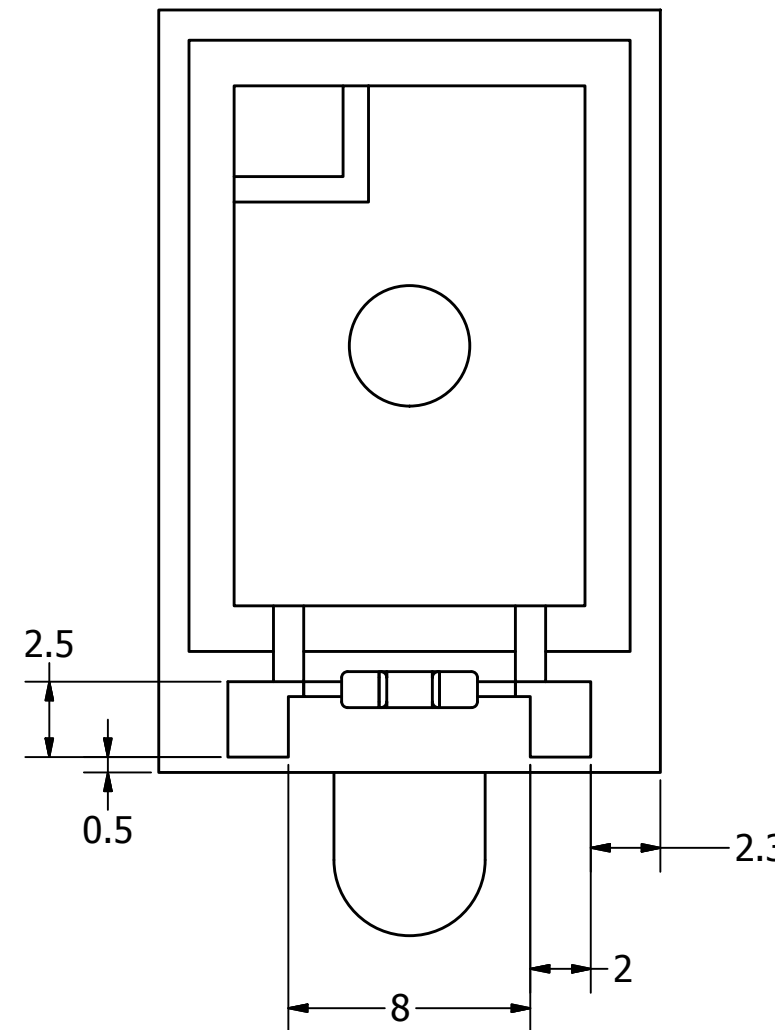
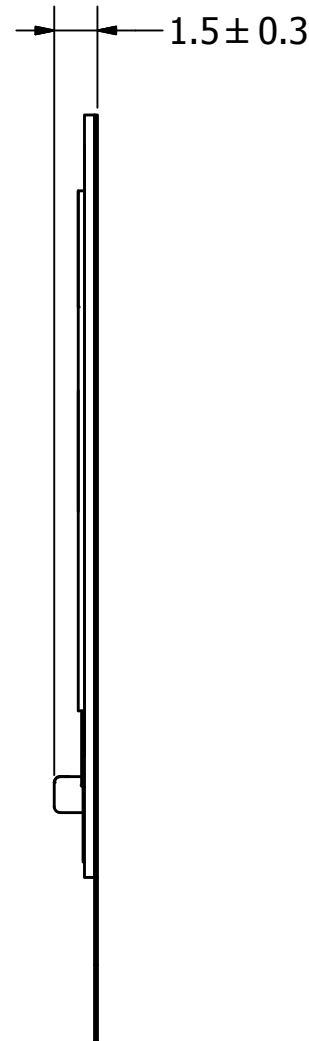
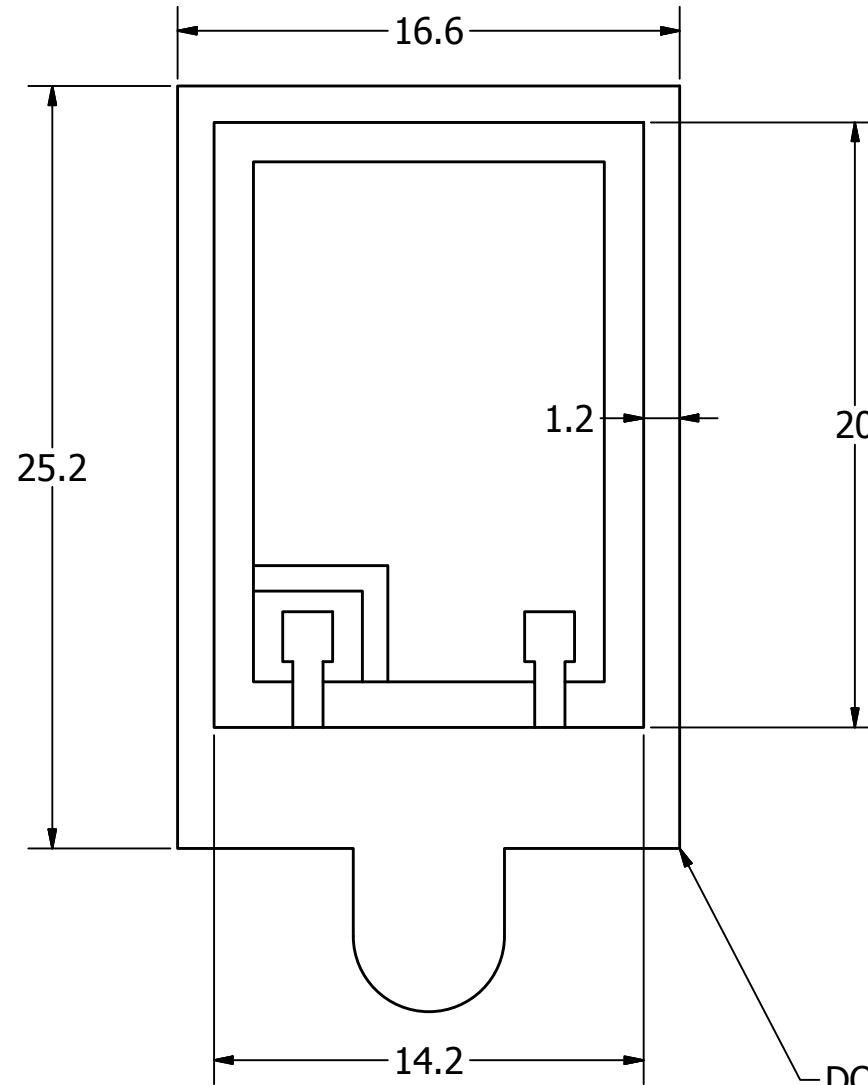
SPECIFICATIONS

PARAMETERS	VALUES	UNITS
RATED INPUT POWER	5	Vrms
VOLTAGE RANGE	3 - 35	Vp-p
MIN SPL @ 5 Vrms/5 cm (AT 1.5, 2, 2.5, 3 kHz)	83	dB
RESONANT FREQUENCY	1300 ± 20%	Hz
FREQUENCY RANGE	300 ~ 20,000	Hz
HOUSING MATERIAL	PCB	-
OPERATING TEMPERATURE	-20 ~ +70	°C
WEIGHT	0.4	grams

THIS DOCUMENT CONTAINS DATA PROPRIETARY TO PROJECTS UNLIMITED, INC. ANY USE OR REPRODUCTION, IN ANY FORM, WITHOUT PRIOR WRITTEN PERMISSION OF PROJECTS UNLIMITED, INC. IS PROHIBITED.
©2003, Projects Unlimited Inc.

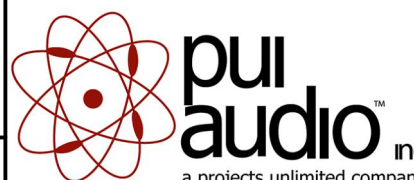
REVISION HISTORY

LTR	DESCRIPTION	DATE	APPROVED
-	RELEASED FROM ENGINEERING	10/6/2016	
A	ADDED 10K OHM RESISTOR FOR PROTECTION DURING STORAGE	12/5/2016	M.V.
B	REVISED HEIGHT TO INCLUDE SOLDER JOINTS FOR RESISTOR	12/13/2016	M.V.
C	ADDED LABEL FOR DOUBLE-SIDED TAPE	12/22/2016	M.V.
D	ADDED TOLERANCES TO OVERALL THICKNESS AND DIMENSIONED SOLDER PAD SPACING	1/16/2017	M.V.



NOTES:

1. ALL DIMENSIONS ARE IN MILLIMETERS.
2. SPECIFICATIONS SUBJECT TO CHANGE OR WITHDRAWL WITHOUT NOTICE.
3. THIS PART IS RoHS 2002/95/EC COMPLIANT.

UNLESS OTHERWISE SPECIFIED: DIMENSIONS ARE IN MILLIMETERS, TOLERANCES ARE ±0.5 AND ANGLES ARE ±3°.	SIZE A3	Designed by	Date	Checked by	Date	Approved by	Date	Drawn Date
		M.V.	10/6/2016	M.V.	10/6/2016	B.R.	10/6/2016	10/6/2016
APS2513S-T-R.idw				APS2513S-T-R				
		Speaker				Edition	Sheet	
						-	1 / 1	