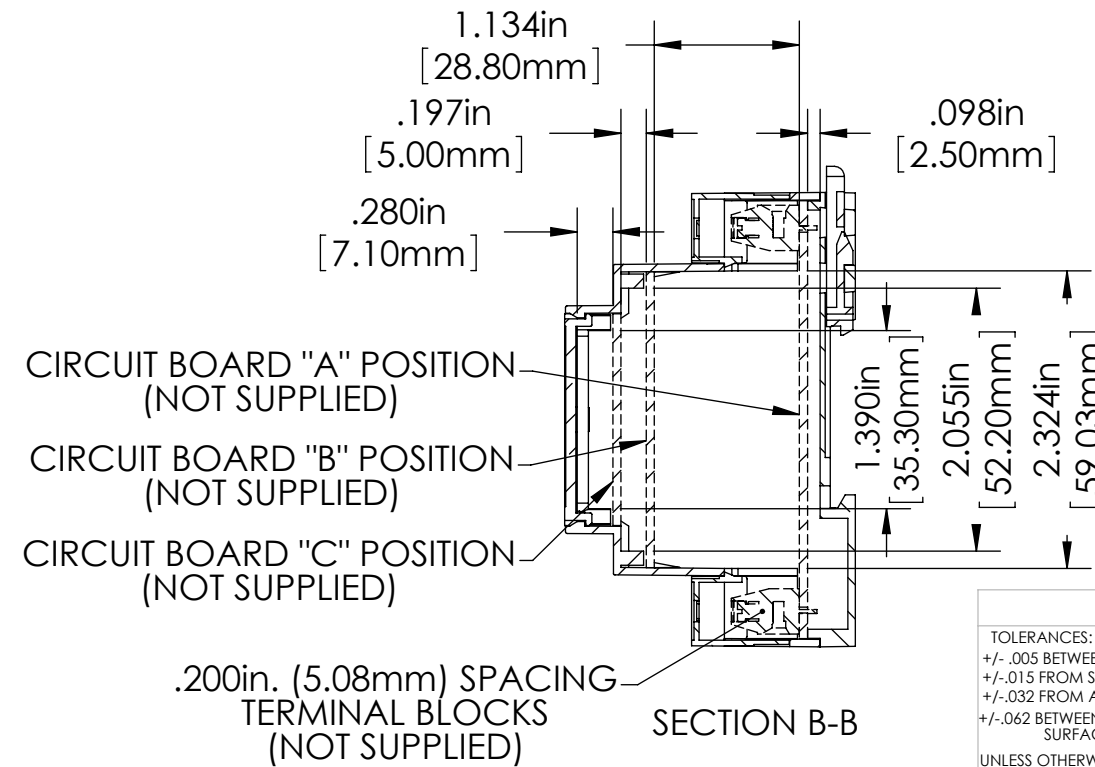
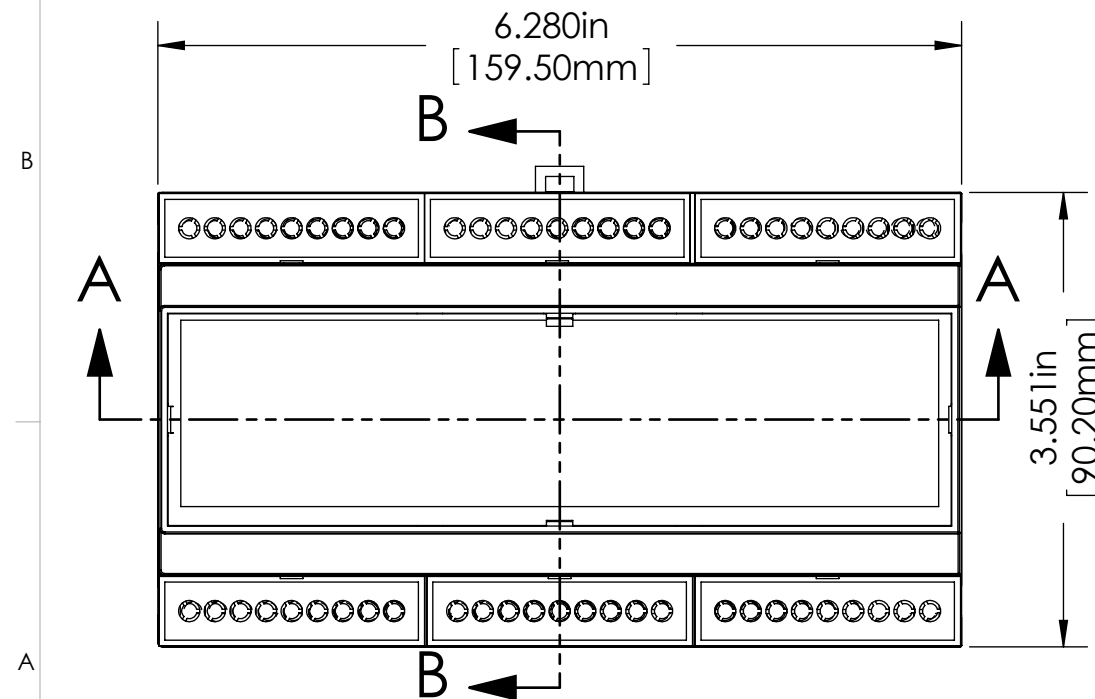
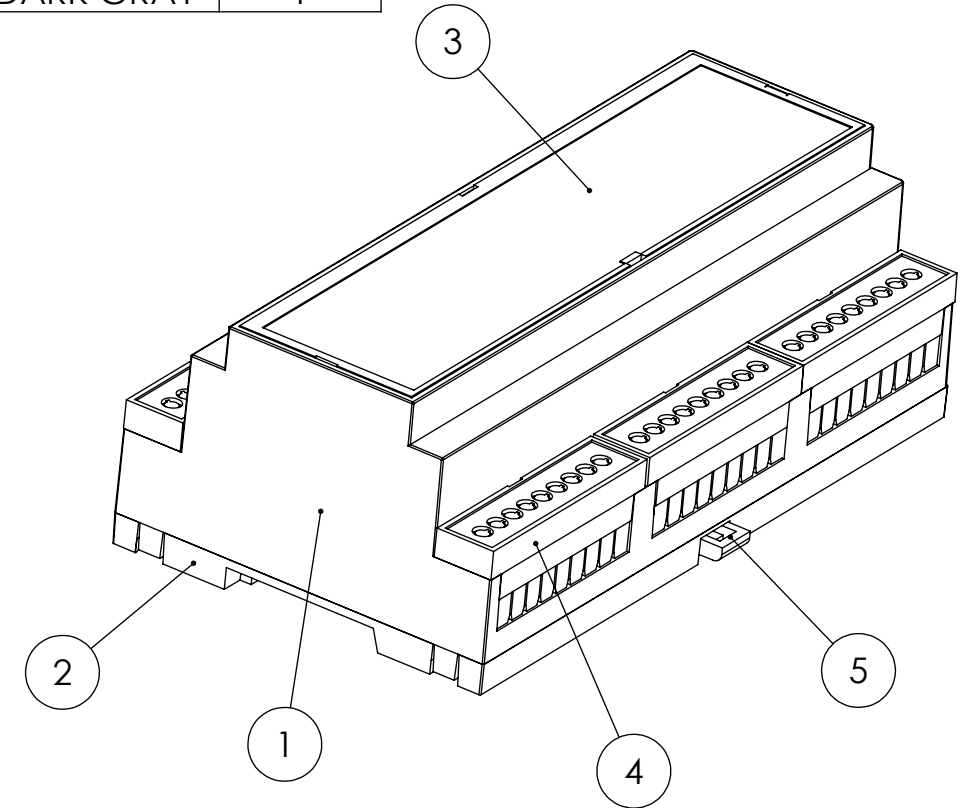
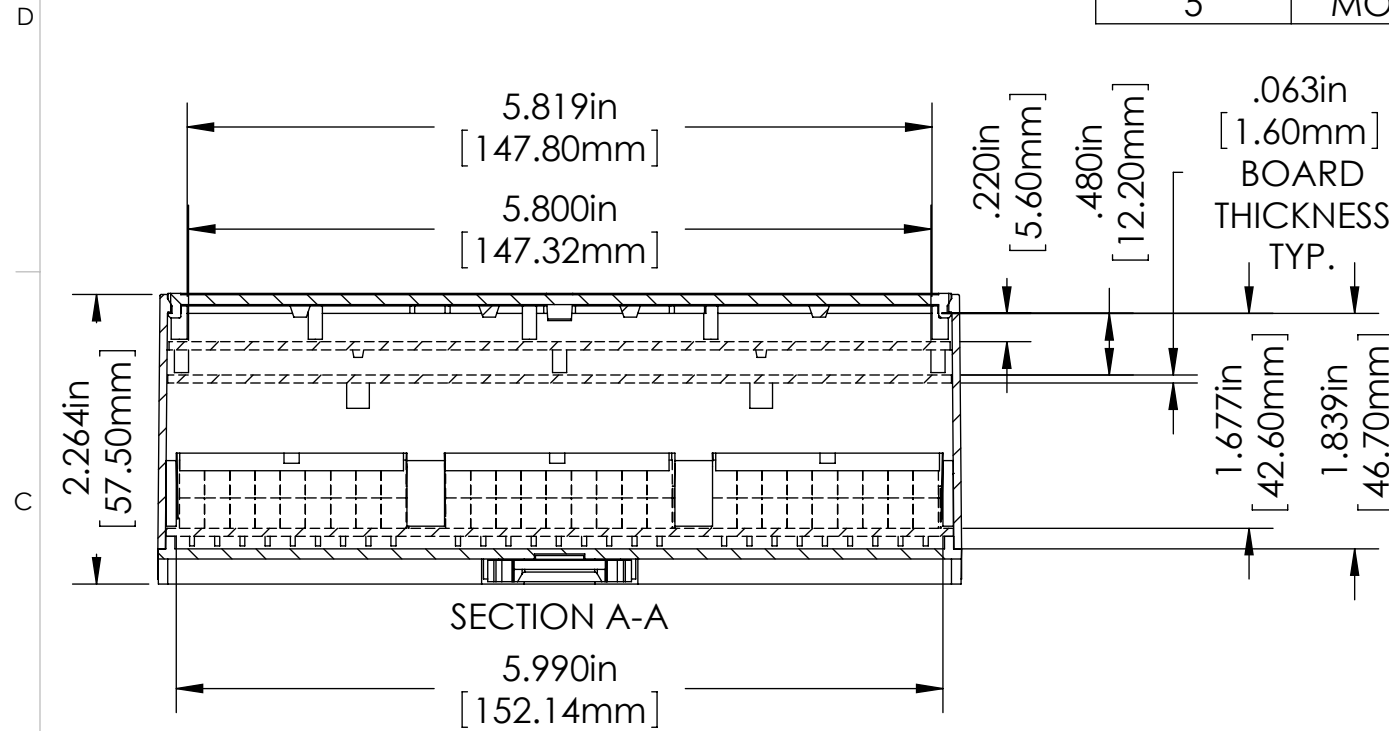


THE INFORMATION CONTAINED IN THIS DRAWING IS THE SOLE PROPERTY OF BUD INDUSTRIES INC. ANY REPRODUCTION IN PART OR WHOLE WITHOUT THE WRITTEN PERMISSION OF BUD INDUSTRIES INC. IS PROHIBITED.

ITEM NO.	DESCRIPTION	MATERIAL	COLOR	QTY.
1	BODY	PC/ABS UL94V-0	GRAY	1
2	BASE	PC/ABS UL94V-0	GRAY	1
3	COVER	PC/ABS UL94V-0	GRAY	1
4	GUARD	PC/ABS UL94V-0	GRAY	6
5	MOUNTING CLIP	NYLON 66	DARK GRAY	1

DWG. NO.	DMB-4774
ISSUE	REVISIONS
(A)	REVISIONS 12-7-10 DAB



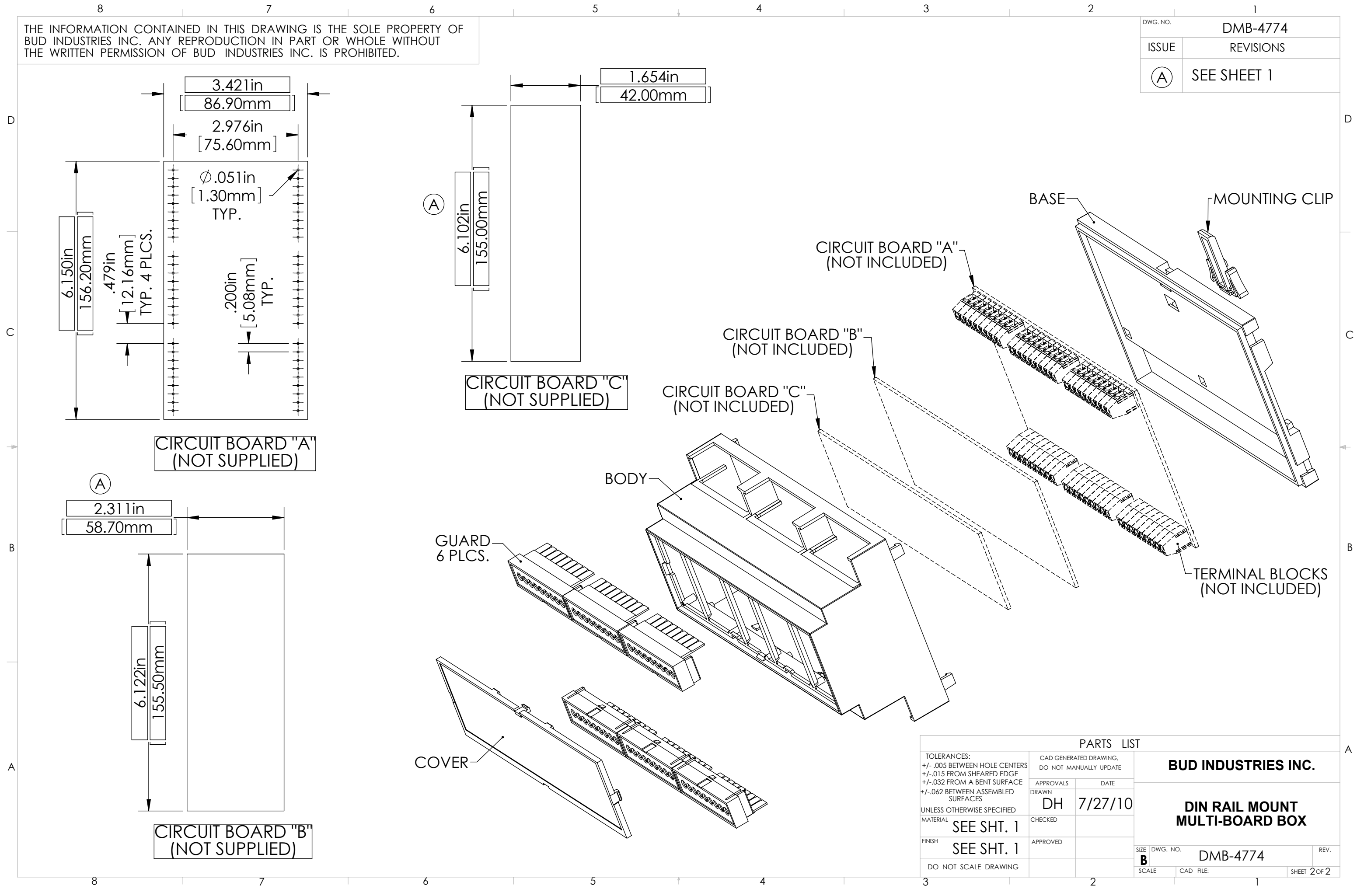
CIRCUIT BOARD "A" POSITION (NOT SUPPLIED)
 CIRCUIT BOARD "B" POSITION (NOT SUPPLIED)
 CIRCUIT BOARD "C" POSITION (NOT SUPPLIED)
 .200in. (5.08mm) SPACING
 TERMINAL BLOCKS
 (NOT SUPPLIED)

OPTIONAL ACCESSORIES / REPLACEMENT PARTS	PART NUMBER
CLEAR POLYCARBONATE COVER	DMB-4774-CC
INFRA-RED COVER	DMB-4774-IRC
TERMINAL GUARD (PACK OF 2)	DMB-4761-TG
MOUNTING CLIP	DMB-4764-MC

TOLERANCES:		PARTS LIST		BUD INDUSTRIES INC.
+/- .005 BETWEEN HOLE CENTERS	+/- .015 FROM SHEARED EDGE	CAD GENERATED DRAWING, DO NOT MANUALLY UPDATE	APPROVALS	
+/- .032 FROM A BENT SURFACE	+/- .062 BETWEEN ASSEMBLED SURFACES	UNLESS OTHERWISE SPECIFIED MATERIAL	DRAWN	7/27/10
FINISH	DO NOT SCALE DRAWING	AS NOTED	CHECKED	
		AS NOTED	APPROVED	
SIZE	DWG. NO.	SCALE		REV.
B	DMB-4774			
		SHEET		1 OF 2

THE INFORMATION CONTAINED IN THIS DRAWING IS THE SOLE PROPERTY OF
 BUD INDUSTRIES INC. ANY REPRODUCTION IN PART OR WHOLE WITHOUT
 THE WRITTEN PERMISSION OF BUD INDUSTRIES INC. IS PROHIBITED.

DWG. NO.	DMB-4774	
ISSUE	REVISIONS	
(A)	SEE SHEET 1	



TOLERANCES:		PARTS LIST		BUD INDUSTRIES INC.
+/- .005 BETWEEN HOLE CENTERS	CAD GENERATED DRAWING, DO NOT MANUALLY UPDATE	APPROVALS	DATE	
+/- .015 FROM SHEARED EDGE		DH	7/27/10	
+/- .032 FROM A BENT SURFACE		CHECKED		DIN RAIL MOUNT MULTI-BOARD BOX
+/- .062 BETWEEN ASSEMBLED SURFACES		APPROVED		
UNLESS OTHERWISE SPECIFIED				SIZE DWG. NO. DMB-4774
MATERIAL SEE SHT. 1				SCALE CAD FILE: SHEET 2 OF 2
FINISH SEE SHT. 1				
DO NOT SCALE DRAWING				