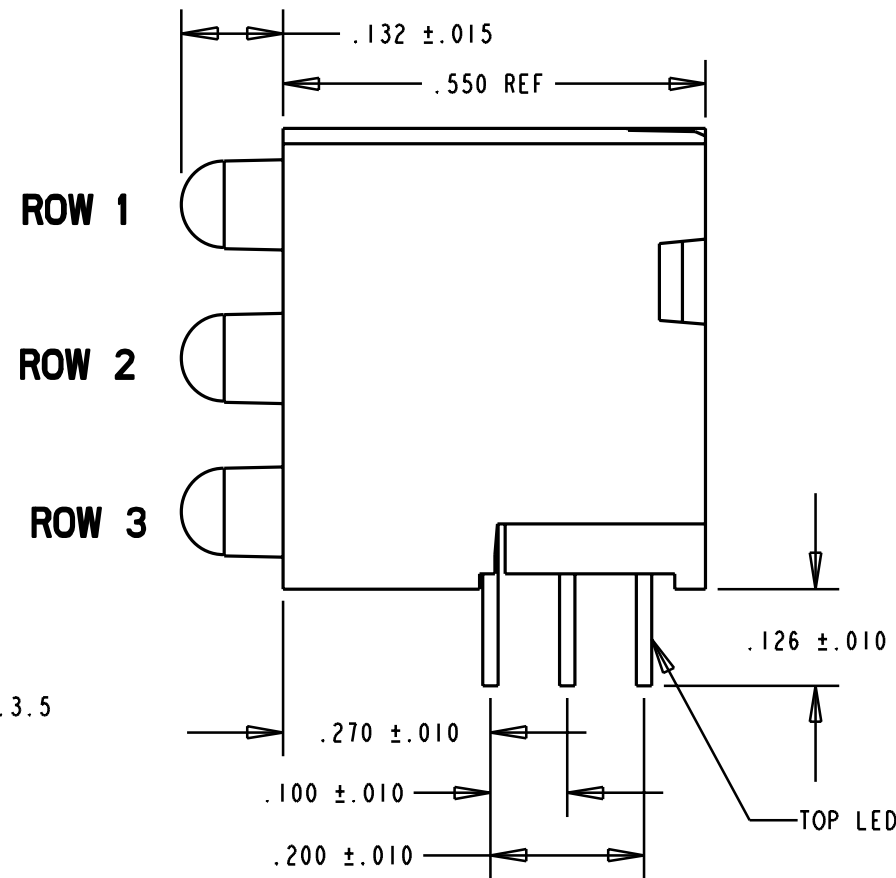
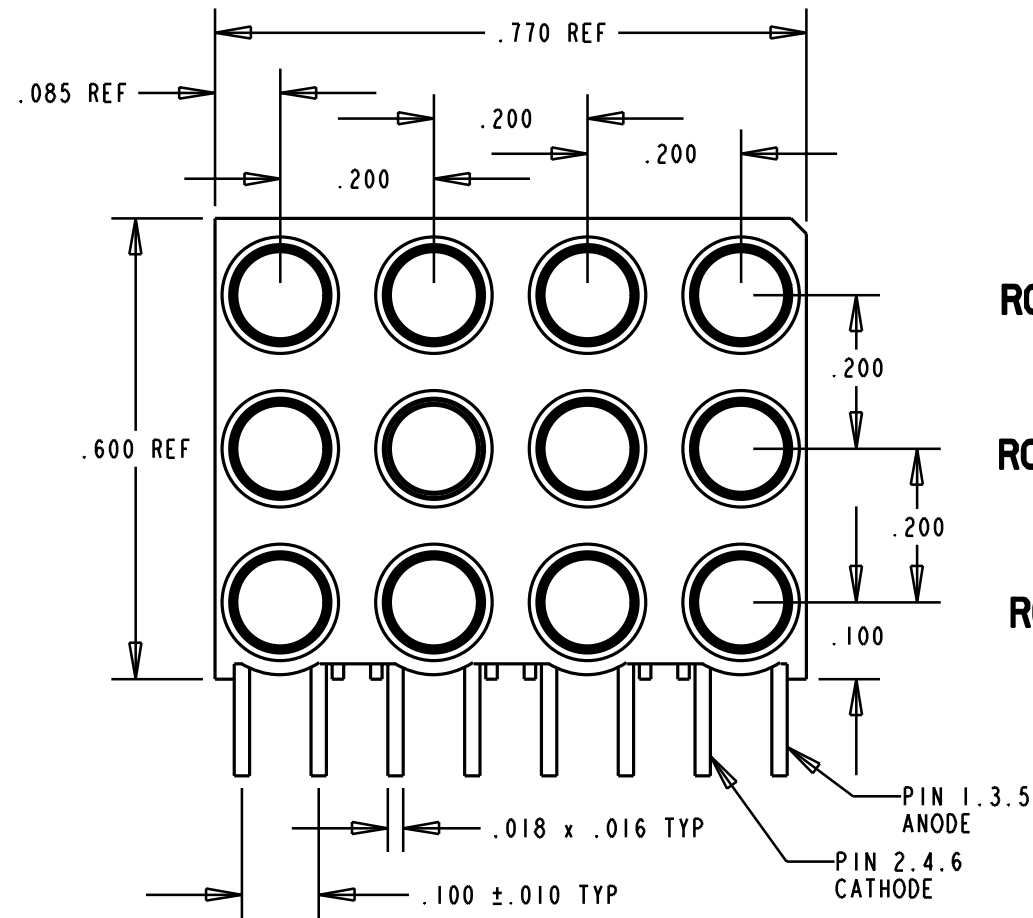


ROW 1	GREEN
ROW 2	GREEN
ROW 3	GREEN

REV.	ECN NO.	REVISIONS	DRN.	CKD.	APP.	DATE
A	---	NEW RELEASE	AV	DC	NO	6-26-00
B	---	CHANGED TRAY COUNT / BOX	AV	DC	NO	9-21-00
C	---	NEW SINGLE HOUSING DESIGN	AV			

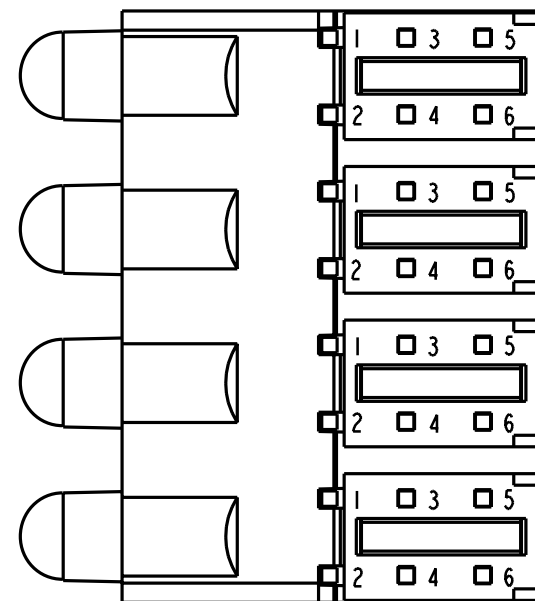
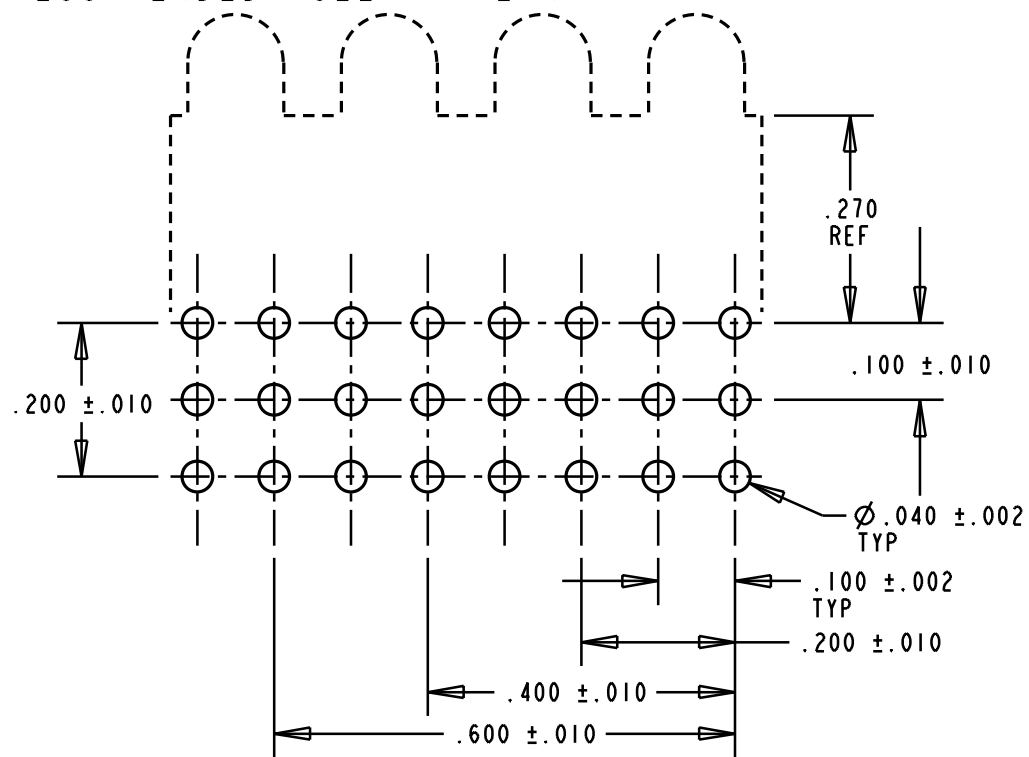


OPERATING CHARACTERISTICS AT 25°C AMBIENT					
CHARACTERISTICS	MIN	TYP	MAX	UNITS	TEST CONDITIONS
LUMINOUS INTENSITY	4.7	12.6		mc d	$I_f = 10 \text{ mA}$
FORWARD VOLTAGE		2.1	2.8	V	$I_f = 20 \text{ mA}$
REVERSE CURRENT			100	$\mu\text{A}$	$V_R = 5 \text{ V}$
PEAK WAVELENGTH		565		nm	
VIEWING ANGLE		60		Degree	
CAPACITANCE		35		pf	$V_f = 0, f = 1 \text{ MHz}$

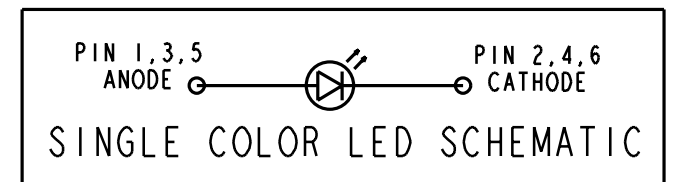
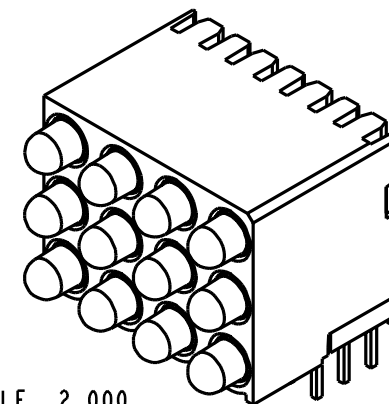
NOTES:

- LEADS TO FIT INTO HOLES SPACED AS PER HOLE PATTERN
- LEADS TO BE FREE OF DEFORMATION AFTER BENDING AND CUTTING
- LED LEAD DIMENSIONS SHOWN ARE MEASURED AT HOUSING EXIT
- PIN NUMBERS FOR REFERENCE ONLY - DESIGNATION NON-EXISTENT ON PART
- PACKAGING =  
BLOCKS PLACED IN CLEAR ANTISTATIC TRAY  
(50 BLOCKS/TRAY = 8 TRAYS/BOX = 400 BLOCKS/BOX)
- DIALIGHT PART NUMBER = 564-0012-806

RECOMMENDED HOLE PATTERN



SCALE 2.000



THIS DRAWING AND THE CONTENTS HEREIN ARE CONFIDENTIAL AND THE SOLE PROPERTY OF DIALIGHT. REPRODUCTION OF THIS DRAWING OR CONSTRUCTION OF ANY PARTS WITHIN THIS DRAWING ARE FORBIDDEN WITHOUT THE WRITTEN CONSENT OF DIALIGHT.

SCALE 4:1	DRAWING NUMBER	REV
ALL DIM'S IN: INCHES	C-16713	C
TOLERANCES: UNLESS OTHERWISE SPECIFIED	TITLE CBI BLOCK ARRAY (3X4)	
FRACTIONS: ±1/64	MATERIAL	
DECIMALS (.XX): ±.020	Dialight	
DECIMALS (.XXX): ±.015	1913 ATLANTIC AVE.	
DECIMALS (.XXXX): ±.010	MANASQUAN, N.J. 08736	
ANGLES: ±3°	SHEET OF FAMILY TABLE:	
FINISH:	FSCM 83330	