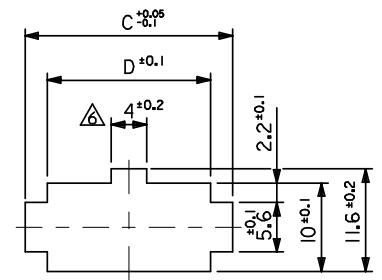
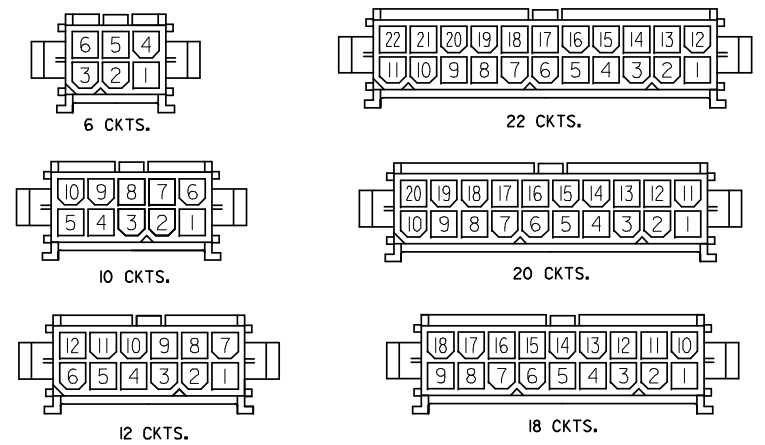
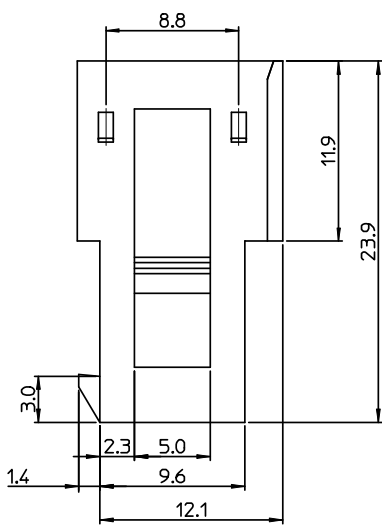
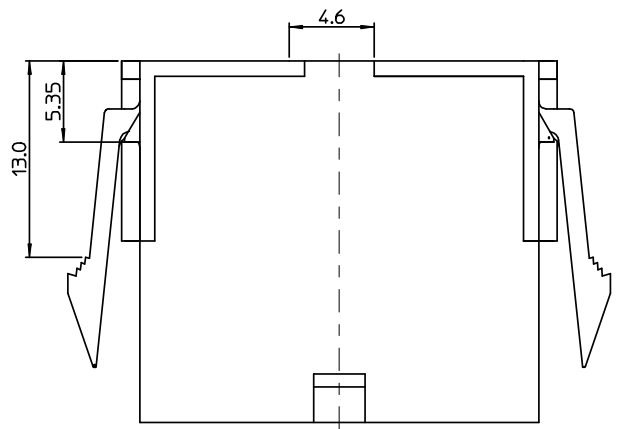
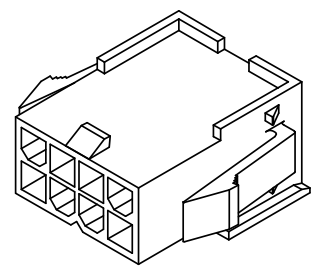


NOTES

- MATERIAL :
 - POLYAMID(PA66), UL94V-2, COLOR OF NATURAL
 - POLYAMID(PA66), UL94V-0, COLOR OF IVORY
- APPLICABLE TERMINAL · SERIES 5558 T2A, 5558 T
- MATE WITH : SERIES 49624, 49625, 49626
- PRODUCT SPECIFICATION · PS-49623-001
- PACKAGE SPECIFICATION : PK-49623-001
- PANEL HOLE TO BE PUNCHED OUT IN THE SAME DIRECTION AS INSERTION INTO THE PANEL



RECOMMENDED PANEL HOLE DIMENSION
(THICKNESS : 0.8-2.0mm)



CIRCUIT SIZE LAYOUT

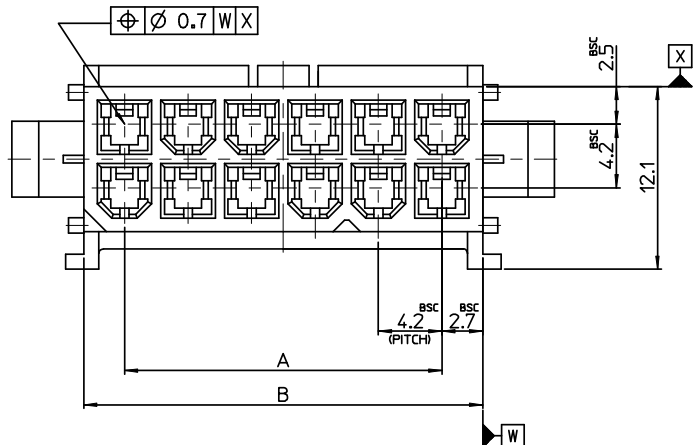


TABLE-1

49623-2295	496232295	49623-2290	496232290	22
49623-2095	496232095	49623-2090	496232090	20
49623-1895	496231895	49623-1890	496231890	18
49623-1295	496231295	49623-1290	496231290	12
49623-1095	496231095	49623-1090	496231090	10
49623-0695	496230695	49623-0690	496230690	06
ENG NO.	MATERIAL NO.	ENG NO.	MATERIAL NO.	CIRCUIT SIZE
POLYAMID(PA66), UL94V-0		POLYAMID(PA66), UL94V-2		

47.8	52.6	47.4	42	22
43.6	48.6	43.2	37.8	20
39.4	44.4	39	33.6	18
26.8	31.8	26.4	21	12
22.6	27.6	22.2	16.8	10
14.2	19.2	13.8	8.4	6
D	C	B	A	CIRCUIT

RELEASED EC NO: KOR2008-0134 DRAWN: SKHAN01 2008/02/27 CHKD: WY YANG 2008/02/29 APPR: YUNSIKKIM 2008/02/29	DESCRIPTION REV	QUALITY SYMBOLS $\nabla=0$ $\nabla=0$	GENERAL TOLERANCES (UNLESS SPECIFIED) mm INCH 4 PLACES ± --- ± --- 3 PLACES ± --- ± --- 2 PLACES ± 0.3 ± --- 1 PLACE ± 0.3 ± --- ANGULAR ± 3°	DIMENSION STYLE MM ONLY DRAWN BY DATE SK. HAN 2008/01/28 CHECKED BY DATE WY. YANG 2008/01/28 APPROVED BY DATE EH. JUNG 2008/01/28	SCALE 4:1 DESIGN UNITS METRIC THIRD ANGLE PROJECTION	TITLE 4.2MM W/W TPA CONN. FOR MALE HOUSING
		DRAFT WHERE APPLICABLE MUST REMAIN WITHIN DIMENSIONS	MATERIAL NO. SEE TABLE	MOLEX INCORPORATED DOCUMENT NO. SD-49623-001	SHEET NO. 1 OF 1	
		SIZE THIS DRAWING CONTAINS INFORMATION THAT IS PROPRIETARY TO MOLEX INCORPORATED AND SHOULD NOT BE USED WITHOUT WRITTEN PERMISSION				