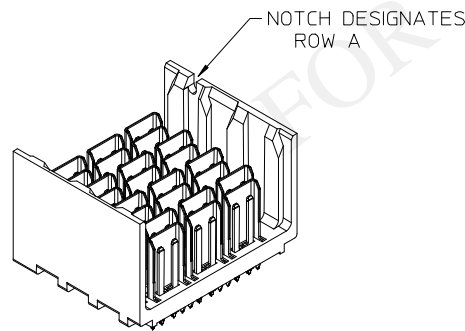
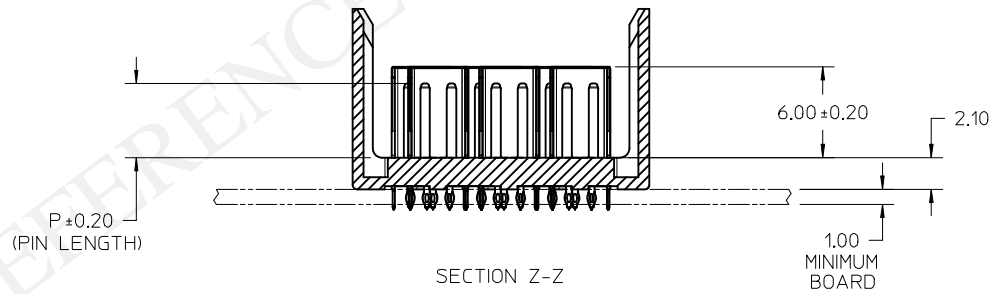
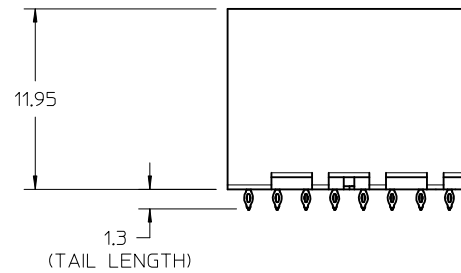
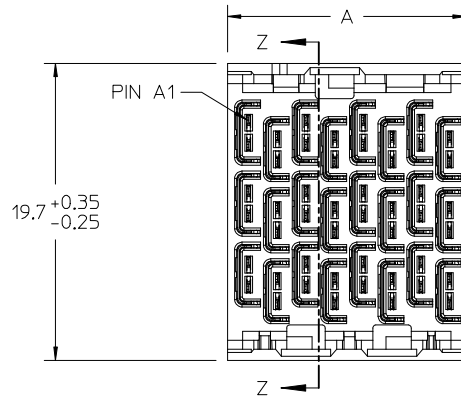


NOTES:

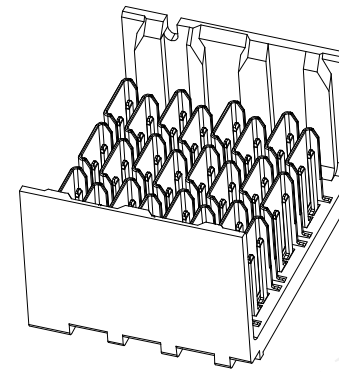
1. MATERIALS: HOUSING - LIQUID CRYSTAL POLYMER (LCP)  
GLASS-FILLED, UL94V-0  
TERMINALS - HIGH PERFORMANCE COPPER ALLOY
2. FINISH: 30µIN GOLD IN CONTACT AREA,  
SELECTIVE TIN ON PCB TAILS.  
NICKEL OVERALL.
3. REFER TO MOLEX PRODUCT SPECIFICATION PS-171320-999 FOR PERFORMANCE SPECIFICATIONS.
4. THIS PART CONFORMS TO CLASS B REQUIREMENTS OF MOLEX COSMETIC SPEC PS-45499-002.
5. PRODUCT WILL BE PACKAGED PER PK-78888-082.
6. SEE SHEETS 2 AND 6 FOR HOLE PATTERN AND MATED PART DIMENSIONS.
7. MATES WITH IMPEL DC SERIES NUMBER 171990.
8. REFER TO IMPEL PCB ROUTING GUIDE AS-171320-990 FOR ANTIPAD, ROUTING RECOMMENDATIONS, AND ADDITIONAL PCB INFORMATION.
9. WHEN STACKING MODULES END TO END, THE MINIMUM COLUMN TO COLUMN SPACING IS 2.65mm.



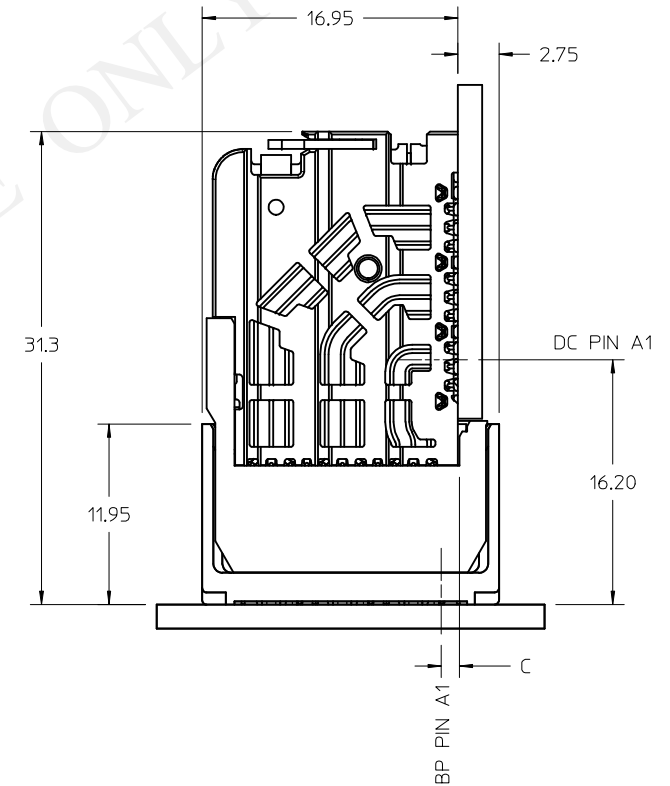
PRELIMINARY

CORRECT PIN LABEL EC NO: UCP2017-2190 DRW:DMLEE01 2017/04/03 CHKD: APPR:DMLEE01 2017/04/05 REV:	QUALITY SYMBOLS	GENERAL TOLERANCES (UNLESS SPECIFIED)	DIMENSION STYLE MM ONLY	SCALE 4:1	DESIGN UNITS METRIC	THIRD ANGLE PROJECTION
	▽=0	mm INCH	DRAWN BY DATE BJANOWIAK 2012/12/10	TITLE IMPEL 3 PAIR BACKPLANE UNGUIDED ASSEMBLY SALES DRAWING	MOLEX MOLEX INCORPORATED DOCUMENT NO. SD-171335-0001 SHEET NO. 1 OF 6	
	▽=0	4 PLACES ± --- ± ---	CHECKED BY DATE			
	▽=0	3 PLACES ± --- ± ---	APPROVED BY DATE BJANOWIAK 2013/01/02	SEE CHART		
▽=0	2 PLACES ±0.13 ± ---	DRAFT WHERE APPLICABLE MUST REMAIN WITHIN DIMENSIONS		THIS DRAWING CONTAINS INFORMATION THAT IS PROPRIETARY TO MOLEX INCORPORATED AND SHOULD NOT BE USED WITHOUT WRITTEN PERMISSION		
	1 PLACE ±0.25 ± ---	ANGULAR ±1/2°				

MATERIAL NUMBER	NUMBER OF COLUMNS	NUMBER OF DIFF PAIR	DIM "A"	DIM "B"	DIM "C"	DIM "P"	PTH $\phi$
171335-1804	8	24	15.80	13.30	1.10	4.90	0.46±0.05
171335-1805	8	24	15.80	13.30	1.10	5.50	0.46±0.05
171335-1807	8	24	15.80	13.30	1.20	4.90	0.36±0.05
171335-1808	8	24	15.80	13.30	1.20	5.50	0.36±0.05
171335-1104	10	30	19.60	17.10	1.10	4.90	0.46±0.05
171335-1105	10	30	19.60	17.10	1.10	5.50	0.46±0.05
171335-1107	10	30	19.60	17.10	1.20	4.90	0.36±0.05
171335-1108	10	30	19.60	17.10	1.20	5.50	0.36±0.05



OPEN  
WALL OPTION



MATED PART DIMENSIONS

171335-1\*\*\*

MODULE TYPE  
1 = UNGUIDED

# OF COLUMNS  
8 = 8 COL  
1 = 10 COL

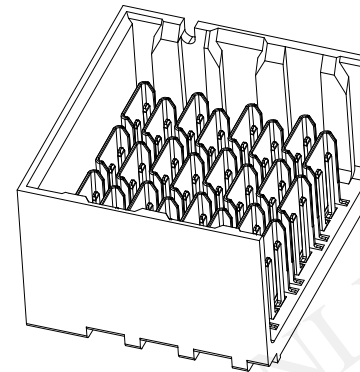
HOUSING STYLE  
0 = OPEN ENDS  
1 = LEFT END WALL  
2 = DUAL END WALL  
3 = RIGHT END WALL

PIN LENGTH (P)  
4 = 4.90 (0.46 PTH)  
5 = 5.50 (0.46 PTH)  
7 = 4.90 (0.36 PTH)  
8 = 5.50 (0.36 PTH)

PRELIMINARY

SEE SHEET 1 EC NO: UCP2017-2190 DRAWN:DMLEE01 2017/04/03 CHKD: APPR:DMLEE01 2017/04/05	QUALITY SYMBOLS ▽=0 ▽=0 ▽=0	GENERAL TOLERANCES (UNLESS SPECIFIED)		DIMENSION STYLE MM ONLY		SCALE 4:1	DESIGN UNITS METRIC	THIRD ANGLE PROJECTION	
		4 PLACES ± --- ± ---	3 PLACES ± --- ± ---	2 PLACES ± 0.13 ± ---	1 PLACE ± 0.25 ± ---	DRAWN BY BJANOWIAK	DATE 2012/12/10	TITLE IMPEL 3 PAIR BACKPLANE UNGUIDED ASSEMBLY SALES DRAWING	
9	REV	ANGULAR ±1/2°		APPROVED BY BJANOWIAK		DATE 2013/01/02	MATERIAL NO. DOCUMENT NO. MOLLEX MOLEX INCORPORATED		
		DRAFT WHERE APPLICABLE MUST REMAIN WITHIN DIMENSIONS		SEE CHART		SD-171335-0001		SHEET NO. 2 OF 6	
THIS DRAWING CONTAINS INFORMATION THAT IS PROPRIETARY TO MOLEX INCORPORATED AND SHOULD NOT BE USED WITHOUT WRITTEN PERMISSION									

MATERIAL NUMBER	NUMBER OF COLUMNS	NUMBER OF DIFF PAIR	DIM "A"	DIM "B"	DIM "C"	DIM "P"	PTH $\phi$
171335-1814	8	24	17.20	13.30	1.10	4.90	0.46±0.05
171335-1815	8	24	17.20	13.30	1.10	5.50	0.46±0.05
171335-1817	8	24	17.20	13.30	1.20	4.90	0.36±0.05
171335-1818	8	24	17.20	13.30	1.20	5.50	0.36±0.05

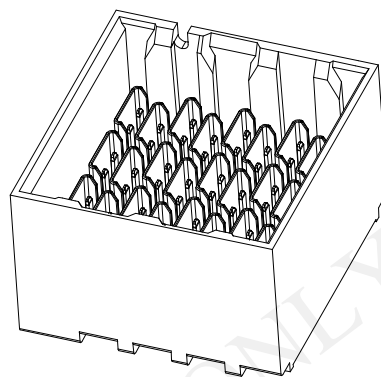


LEFT END  
WALL OPTION

FOR REFERENCE USE ONLY

<b>SEE SHEET 1</b> EC NO: UCP2017-2190 DRAWN: DMLEE01 2017/04/03 CHKD: APPR: DMLEE01 2017/04/05 REV:	QUALITY SYMBOLS	GENERAL TOLERANCES (UNLESS SPECIFIED)	DIMENSION STYLE	SCALE	DESIGN UNITS	THIRD ANGLE PROJECTION
	▽=0	mm INCH	MM ONLY	4:1	METRIC	
	▽=0	4 PLACES ± --- ± ---	DRAWN BY DATE	TITLE		
	▽=0	3 PLACES ± --- ± ---	BJANOWIAK 2012/12/10	IMPEL 3 PAIR BACKPLANE UNGUIDED ASSEMBLY SALES DRAWING		
	2 PLACES ±0.13 ± ---	CHECKED BY DATE	<b>molex</b> DOCUMENT NO. SD-171335-0001 SHEET NO. 3 OF 6			
	1 PLACE ±0.25 ± ---	APPROVED BY DATE				
	0 PLACE ± --- ± ---	BJANOWIAK 2013/01/02	MATERIAL NO. SEE CHART			
	ANGULAR ±1/2°	DRAFT WHERE APPLICABLE MUST REMAIN WITHIN DIMENSIONS				
		THIS DRAWING CONTAINS INFORMATION THAT IS PROPRIETARY TO MOLEX INCORPORATED AND SHOULD NOT BE USED WITHOUT WRITTEN PERMISSION				

MATERIAL NUMBER	NUMBER OF COLUMNS	NUMBER OF DIFF PAIR	DIM "A"	DIM "B"	DIM "C"	DIM "P"	PTH $\phi$
171335-1824	8	24	18.60	13.30	1.10	4.90	0.46+0.05
171335-1825	8	24	18.60	13.30	1.10	5.50	0.46+0.05
171335-1827	8	24	18.60	13.30	1.20	4.90	0.36+0.05
171335-1828	8	24	18.60	13.30	1.20	5.50	0.36+0.05

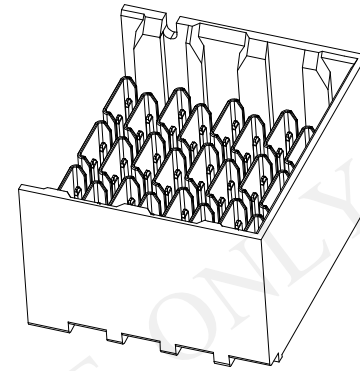


DUAL END WALL OPTION

FOR REFERENCE USE ONLY

<b>SEE SHEET 1</b> EC NO: UCP2017-2190 DRAWN: DMLEE01 2017/04/03 CHKD: APPR: DMLEE01 2017/04/05 REV:	QUALITY SYMBOLS	GENERAL TOLERANCES (UNLESS SPECIFIED)	DIMENSION STYLE	SCALE	DESIGN UNITS	THIRD ANGLE PROJECTION
	$\nabla = 0$	mm INCH	MM ONLY	4:1	METRIC	
	$\nabla = 0$	4 PLACES $\pm$ --- $\pm$ ---	DRAWN BY DATE	TITLE		
	$\nabla = 0$	3 PLACES $\pm$ --- $\pm$ ---	BJANOWIAK 2012/12/10	IMPEL 3 PAIR BACKPLANE UNGUIDED ASSEMBLY SALES DRAWING		
	2 PLACES $\pm 0.13$ $\pm$ ---	CHECKED BY DATE	<b>molex</b> DOCUMENT NO. SD-171335-0001 SHEET NO. 4 OF 6			
	1 PLACE $\pm 0.25$ $\pm$ ---	APPROVED BY DATE				
	0 PLACE $\pm$ --- $\pm$ ---	BJANOWIAK 2013/01/02	MATERIAL NO.			
	ANGULAR $\pm 1/2^\circ$	SEE CHART		THIS DRAWING CONTAINS INFORMATION THAT IS PROPRIETARY TO MOLEX INCORPORATED AND SHOULD NOT BE USED WITHOUT WRITTEN PERMISSION		
	DRAFT WHERE APPLICABLE MUST REMAIN WITHIN DIMENSIONS					

MATERIAL NUMBER	NUMBER OF COLUMNS	NUMBER OF DIFF PAIR	DIM "A"	DIM "B"	DIM "C"	DIM "P"	PTH $\phi$
171335-1834	8	24	17.20	13.30	1.10	4.90	0.46±0.05
171335-1835	8	24	17.20	13.30	1.10	5.50	0.46±0.05
171335-1837	8	24	17.20	13.30	1.20	4.90	0.36±0.05
171335-1838	8	24	17.20	13.30	1.20	5.50	0.36±0.05

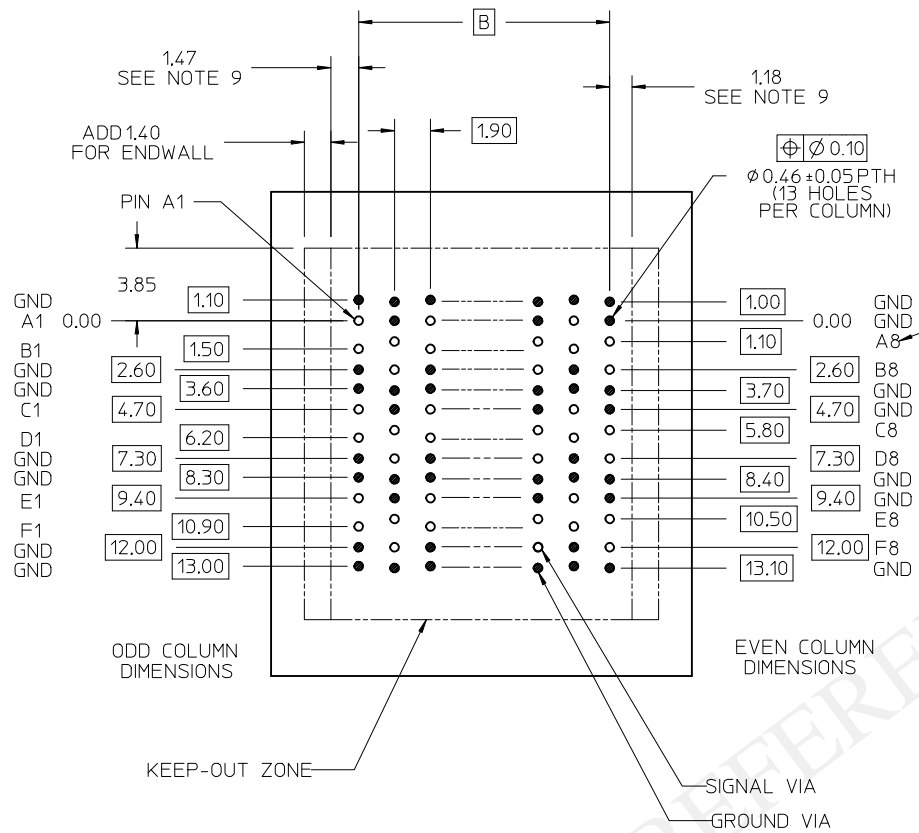


RIGHT END  
WALL OPTION

FOR REFERENCE USE ONLY

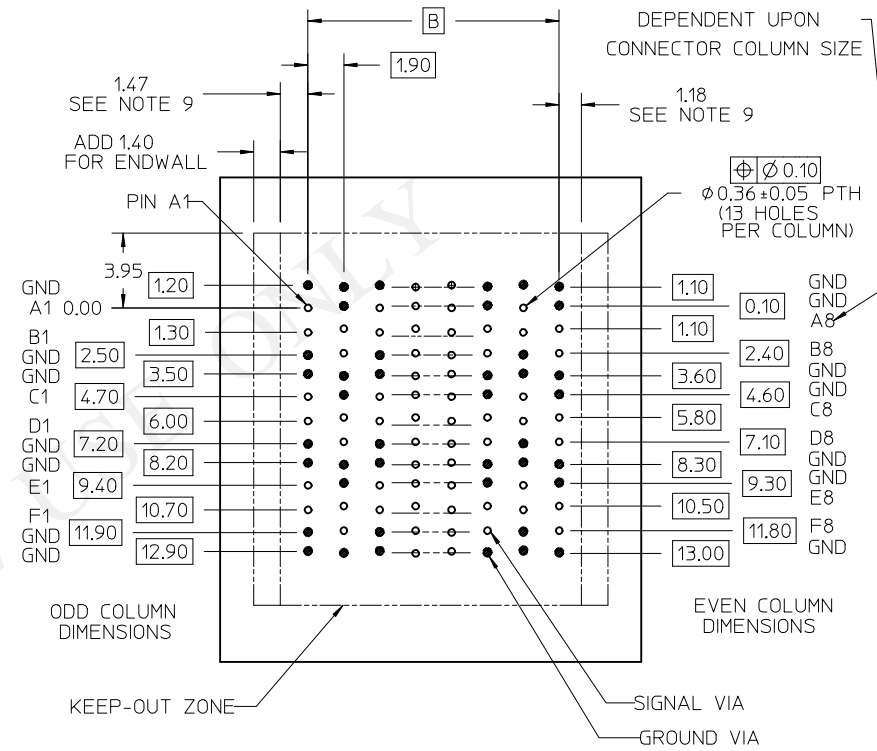
<b>SEE SHEET 1</b> EC NO: UCP2017-2190 DRWN:DMLEE01 2017/04/03 CHKD: APPR:DMLEE01 2017/04/05 REV	QUALITY SYMBOLS	GENERAL TOLERANCES (UNLESS SPECIFIED)	DIMENSION STYLE	SCALE	DESIGN UNITS	THIRD ANGLE PROJECTION
	▽=0	mm INCH	MM ONLY	4:1	METRIC	
	▽=0	4 PLACES ± --- ± ---	DRAWN BY DATE	TITLE		
	▽=0	3 PLACES ± --- ± ---	BJANOWIAK 2012/12/10	IMPEL 3 PAIR BACKPLANE UNGUIDED ASSEMBLY SALES DRAWING		
	2 PLACES ±0.13 ± ---	CHECKED BY DATE	<b>molex</b> DOCUMENT NO. SD-171335-0001 SHEET NO. 5 OF 6			
	1 PLACE ±0.25 ± ---	APPROVED BY DATE				
	0 PLACE ± --- ± ---	BJANOWIAK 2013/01/02	MATERIAL NO.			
	ANGULAR ±1/2°	DRAFT WHERE APPLICABLE MUST REMAIN WITHIN DIMENSIONS		SEE CHART		
		THIS DRAWING CONTAINS INFORMATION THAT IS PROPRIETARY TO MOLEX INCORPORATED AND SHOULD NOT BE USED WITHOUT WRITTEN PERMISSION				

ACTUAL PIN NUMBERS  
DEPENDENT UPON  
CONNECTOR COLUMN SIZE



BACKPLANE HOLE PATTERN  
FOR  $\phi 0.46$  PTH  
(CONNECTOR SIDE)

ACTUAL PIN NUMBERS  
DEPENDENT UPON  
CONNECTOR COLUMN SIZE



BACKPLANE HOLE PATTERN  
FOR  $\phi 0.36$  PTH  
(CONNECTOR SIDE)

SEE SHEET 1 EC NO: UCP2017-2190 DRAWING: DWLE01 2017/04/03 CHKD: APPR: DWLE01 2017/04/05 REV: 9	QUALITY SYMBOLS ▽=0 ▽=0 ▽=0	GENERAL TOLERANCES (UNLESS SPECIFIED) <table border="1"> <tr> <th></th> <th>mm</th> <th>INCH</th> </tr> <tr> <td>4 PLACES</td> <td>± ---</td> <td>± ---</td> </tr> <tr> <td>3 PLACES</td> <td>± ---</td> <td>± ---</td> </tr> <tr> <td>2 PLACES</td> <td>± 0.13</td> <td>± ---</td> </tr> <tr> <td>1 PLACE</td> <td>± 0.25</td> <td>± ---</td> </tr> </table> ANGULAR ±1/2°		mm	INCH	4 PLACES	± ---	± ---	3 PLACES	± ---	± ---	2 PLACES	± 0.13	± ---	1 PLACE	± 0.25	± ---	DIMENSION STYLE MM ONLY DRAWN BY: B JANOWIAK DATE: 2012/12/10 CHECKED BY: DATE:	SCALE: 5:1 DESIGN UNITS: METRIC THIRD ANGLE PROJECTION
		mm	INCH																
	4 PLACES	± ---	± ---																
	3 PLACES	± ---	± ---																
2 PLACES	± 0.13	± ---																	
1 PLACE	± 0.25	± ---																	
DRAFT WHERE APPLICABLE MUST REMAIN WITHIN DIMENSIONS	APPROVED BY: B JANOWIAK DATE: 2013/01/02 MATERIAL NO.	TITLE: IMPEL 3 PAIR BACKPLANE UNGUIDED ASSEMBLY SALES DRAWING MOLEX INCORPORATED	SHEET NO. 6 OF 6																
SIZE: C	SEE CHART	DOCUMENT NO. SD-171335-0001	THIS DRAWING CONTAINS INFORMATION THAT IS PROPRIETARY TO MOLEX INCORPORATED AND SHOULD NOT BE USED WITHOUT WRITTEN PERMISSION																