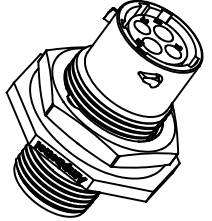
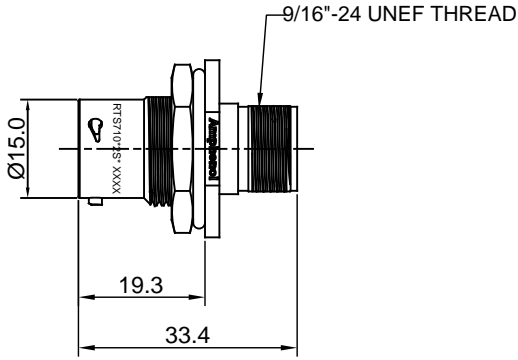
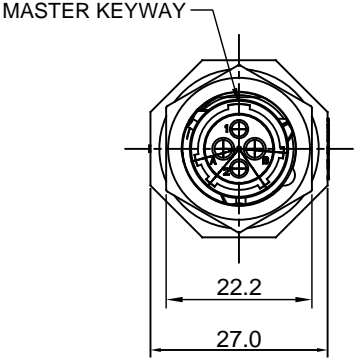
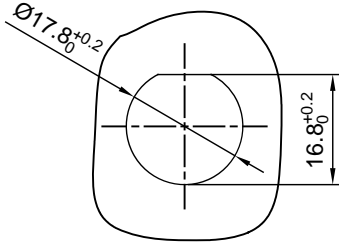


REVISIONS					
REV	ECO	DESCRIPTION	DATE	BY	APPR
A1	--	RELEASED DRAWING	Mar-18-2016	Ben	Tommy



- NOTES : (UNLESS OTHERWISE SPECIFIED)
- MATERIAL :
 - SHELL : THERMOPLASTIC , UL94 V-0.
 - INSERT : THERMOPLASTIC , UL94 V-0.
 - O-RING : NBR/SILICONE RUBBER.
 - SEAL GASKET : NBR/SILICONE RUBBER.
 - JAM NUT : AL ALLOY , BLACK ANODIZING.
 - SPECIFICATIONS :
 - RATED CURRENT :
 - 16#mm CONTACT 13A (MAX) .
 - 20# CONTACT 5A (MAX).
 - RATED VOLTAGE : 500V(AC/DC).
 - OPERATING TEMPERATURE : SEE CHART.
 - DIELECTRIC WITHSTANDING VOLTAGE : LESS THAN 2 MILLIAMPS CURRENT LEAKAGE@2000 VOLTS AC.
 - INSULATION RESISTANCE : 5000 MEGOHMS MIN.
 - IP--CLASS : IP67.
 - MATING CYCLES DURABILITY : 500 CYCLES MIN.
 - RoHS COMPLIANT.
 - SUITABLE CONTACTS : 16# & 20# CONTACTS.
 - ALL DIMENSIONS ARE FOR REFERENCE USE ONLY.



PANEL CUT OUT REFERENCE

KEY	PART NUMBER	
		-40°C ~ 105°C
N	RTS710N2S	RTS710N2S03

QUANTITY	PART NUMBER	DESCRIPTION	ITEM
MATERIALS LIST			
<small>UNLESS OTHERWISE SPECIFIED</small> 1) All dimensions are in metric(mm). 2) Tolerances are as follows: 1 PL DEC ±0.30 Fractions ±1/64 2 PL DEC ±0.15 Angles ±1° 3 PL DEC ±0.08		SIGNATURES DATE DRAWN: Ben Mar-18-2016 CHECKED: Tod Mar-18-2016 ENGINEER: APPROVAL: Tommy Mar-18-2016 CUSTOMER:	
<small>MATERIAL SPECIFICATIONS:</small> <small>PROCESS SPECIFICATIONS:</small> <small>NEXT ASSY:</small>		<div style="text-align: center;"> <p>Sine Systems - www.amphenol-sine.com 44724 Morley Drive Clinton Township, MI 48036</p> <p>ECO-MATE,RECEPTACLE, JAM NUT, SIZE 10,2POS,SOCKET.</p> </div>	
<small>THIS DRAWING IS SUPPLIED FOR INFORMATION ONLY. DESIGN FEATURES, SPECIFICATIONS AND PERFORMANCE DATA SHOWN HEREON ARE THE PROPERTY OF THE AMPHENOL CORPORATION. NO RIGHTS OF REPRODUCTION ARE IMPLIED. ALL DIMENSIONS ARE SUBJECT TO NORMAL MANUFACTURING VARIATIONS.</small>		SIZE: B TYPE: C- SCALE: NONE	DWG NO: RTS710*2S* REVISION: A1 SHEET 1 OF 1

TITLE: ECO-MATE,RECEPTACLE, JAM NUT, SIZE 10,2POS,SOCKET. DWG NO: RTS710*2S* REV: A1 SH: 1 OF: 1