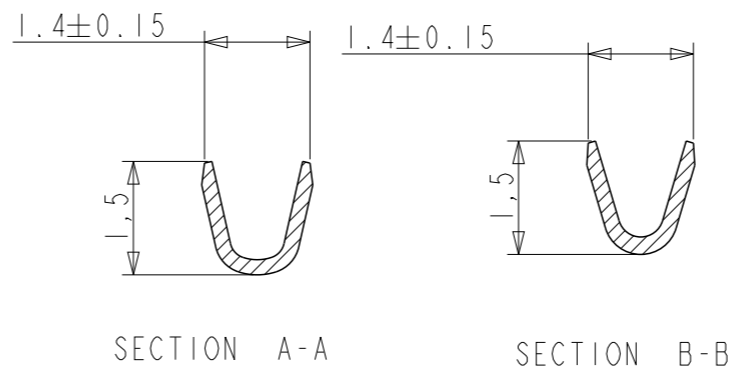
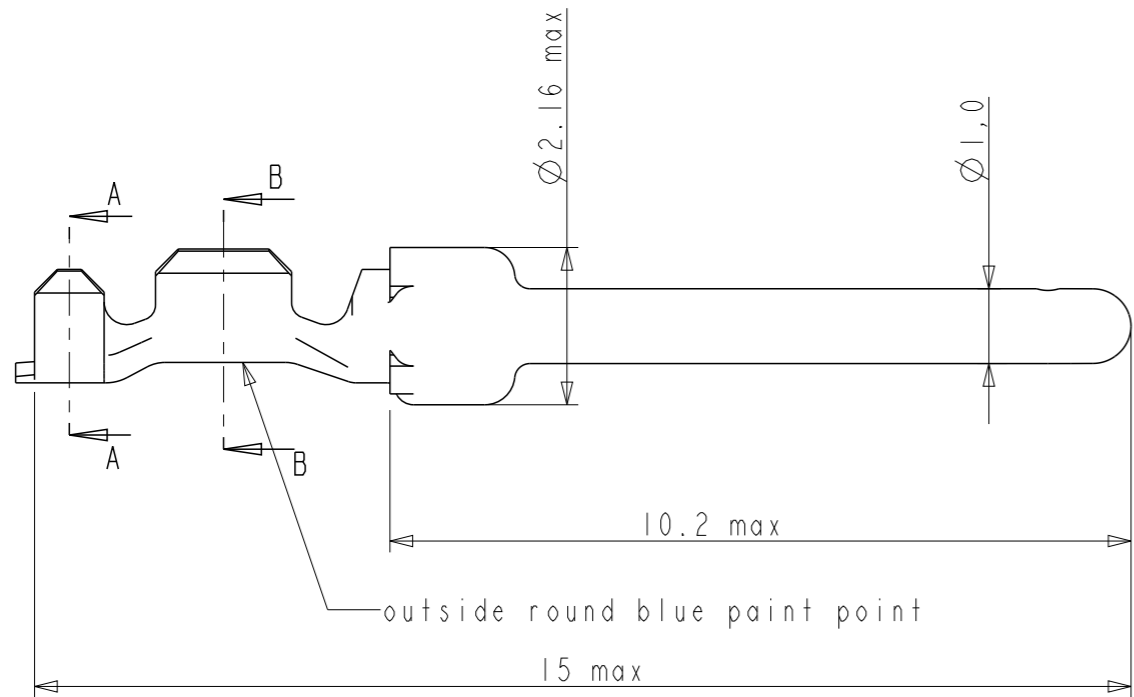
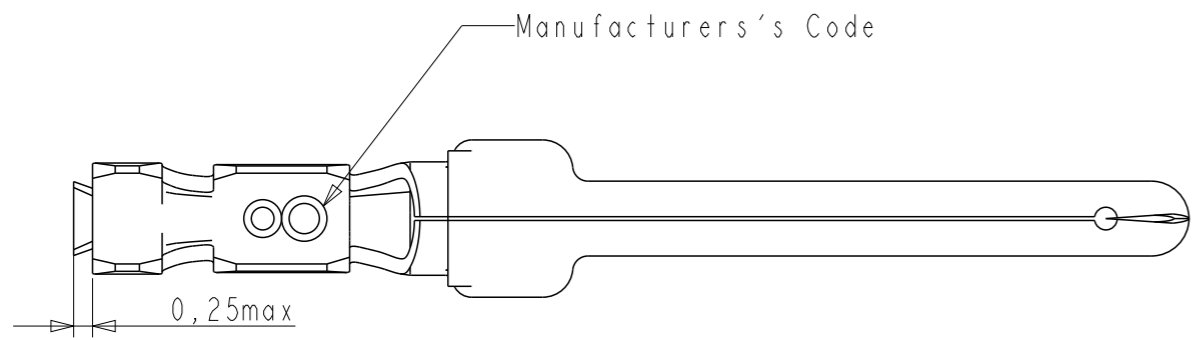


NOTES:
 1-Material: phosphor bronze, thickness 0.20
 2-Finish on contact area: SEE TABLE
 finish on termination: bright tin over nickel
 3-Wire range: 20-28 AWG
 4-Max outer dia of wire insulator:
 -1.73 mm for contact #20-24
 -1.02 mm for contact #24-28
 5-Current carrying capacity per contact:
 5 Amps max when crimped to #20 AWG
 5 Amps max when crimped to #22 AWG
 3 Amps max when crimped to #24 AWG
 2 Amps max when crimped to #26 AWG
 1 Amps max when crimped to #28 AWG
 6-After 5 insertions into connector,
 contact retention must be 5 pounds axial load min
 7-When contact is crimped to 20 AWG, the insulation
 support crimped height must be 1.78 mm max to ensure
 a proper insertion into housing
 6-Packaging: Box of 500 contacts



CROSS SECTIONS FOR CT #24-28

PART NUMBER	Plating
8656450067LF	0.4µ Au / GXT
8656450067	0.4µ Au / GXT



Copyright FCI.

NOTE : ROHS INFORMATIONS
 The LF products meet European union directives and other country regulations as described in GS-22-008
 Terminations plating spec : 2um Nickel min + 2um Sn min
 Packaging Spec : see GS-14-920

rev	ecn no	dr	date
C	LS06-196	MPE	27/11/2006
D	LS08-0127	MPE	13/05/2008
E	LS08-0216	MPE	26/11/2008
F	I09-0128	MRA	2009-07-07
G	I10-0070	AMR	2010-03-09
H	I11-0003	AMR	2011-01-06
-	-	-	-

www.fciconnect.com		surface - ✓ ISO 1302	tolerance std ISO 406 ISO 1101	projection mm
TOLERANCES UNLESS OTHERWISE SPECIFIED				↔
Dr	-	2003-04-18	ANGULAR	size A3
Eng	ABHILASH M R	2009-07-07	LINEAR	Scale 5/1
Chr	ABHILASH M R	2009-07-07	0° ±2°	ECN I11-0003
Appr	SUDHIR VARMA	2009-07-07	Product family	Spec ref
FCI		CRIMP PIN	dwg no	Rev.
		#Wire 24-28 Ø1.02	C01-8656-0417	H
		catalog no	-	sheet 1 of 1