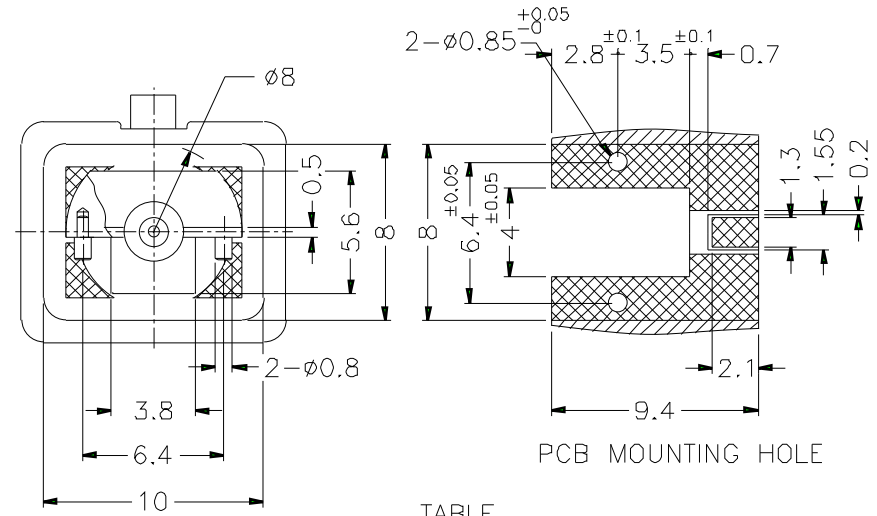
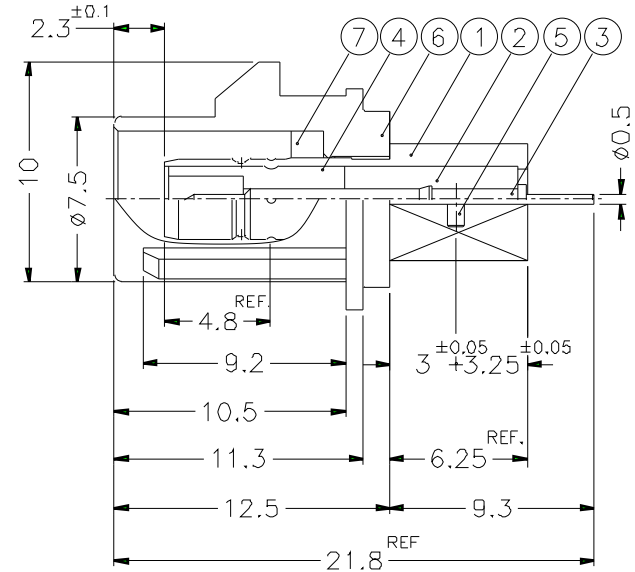
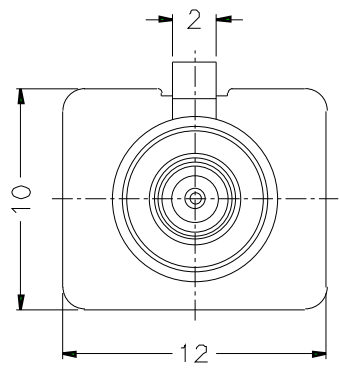


REVISIONS		
ISS	ZONE	DESCRIPTION\PER REQUEST\DATE

CONFIGURATION CONTROL:
NO CHANGES PERMITTED TO DRAWING WITHOUT
PPAP QUALIFIED CUSTOMER APPROVAL



NOTES: FINISH (PLATING THICKNESS IN MICRO-INCHES)
 1. BRASS PER QQ-B-626, ALLOY 360, 1/2 H ; JIS H3250 C 3604BD OR EQUIVALENT
 2. GOLD PL. 30 MIN. THICK OVER NICKEL PL. 100 MIN. THICK OVER COPPER STRIKE
 3. GOLD PL. 3 MIN. THICK OVER NICKEL PL. 100 MIN. THICK OVER COPPER STRIKE
 4. TEFLON MIL-P-19468
 5. PBT(WITH 15% GLASS FIBER) PER CHANG CHUN GRADE 4115202 OR EQUIVALENT

KEY CODING	D/N	P/N	LOCK COVER
A	FK1251AW-3GT30G-50	FA1-NASP-PCB-0	FKLC10201A
B	FK1251BW-3GT30G-50	FA1-NBSP-PCB-0	FKLC10202A
C	FK1251CW-3GT30G-50	FA1-NCSP-PCB-0	FKLC10203A
D	FK1251DW-3GT30G-50	FA1-NDSP-PCB-0	FKLC10204A
E	FK1251EW-3GT30G-50	FA1-NESP-PCB-0	FKLC10205A
F	FK1251FW-3GT30G-50	FA1-NFSP-PCB-0	FKLC10206A
G	FK1251GW-3GT30G-50	FA1-NGSP-PCB-0	FKLC10207A
H	FK1251HW-3GT30G-50	FA1-NHSP-PCB-0	FKLC10208A
I	FK1251IW-3GT30G-50	FA1-NISP-PCB-0	FKLC10209A
K	FK1251KW-3GT30G-50	FA1-NKSP-PCB-0	FKLC10210A
Z	FK1251ZW-3GT30G-50	FA1-NZSP-PCB-0	FKLC10211A

NO.	DESCRIPTION	MATERIAL	FINISH	Q'TY	DRAWING NO.	SCALE	3/1	ISSUE	1	PART NO.	DATE	TITLE
7	RING	NOTE 1	NOTE 3	1	FKLR00101A	DIMENSIONS ARE IN MILLIMETERS				FA1-NXSP-PCB-0	10-16-01'	Amphenol Danbury,CT,USA-Tainan,Taiwan-Shenzehn,China
6	LOCK COVER	NOTE 5		1	SEE TABLE	UNLESS OTHERWISE SPECIFIED TOLERANCES						
5	PIN	NOTE 1	NOTE 3	2	SMB125100-003-5	0.5-6 = ±0.2				APPROVED	DATE	TITLE
4	INSULATOR	NOTE 4	NATURAL	1	SMB2071A1-2T-50	6-30 = ±0.4				CHECKED	DATE	FAKRA EDGE CARD PCB MOUNT PLUG
3	CONTACT PIN	NOTE 1	NOTE 2	1	SMB125100-003-3	30-120 = ±0.6				DRAWN	DATE	DRAWING NO.
2	INSULATOR	NOTE 4	NATURAL	1	SMB125100-003-2T-50	120-315 = ±1				ANGELA	DATE	KJ-FK1251XX-3GT30G-50
1	BODY	NOTE 1	NOTE 3	1	SMB125100-003-1	315-1000 = ±1.6					DATE	FILE NO.
						1000-2000 = ±2.4					10-16-01'	F:\DWG\FK\FA1\NXSP\PCB\0