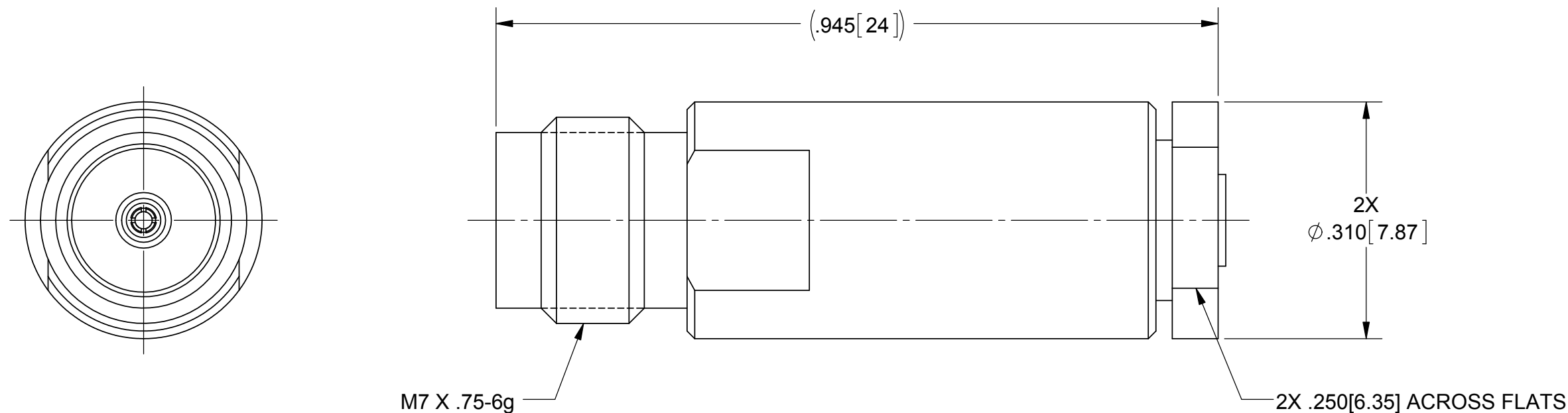


PRODUCT DATA DRAWING

REVISION HISTORY			
REV	DESCRIPTION	DATE	APPROVED
-	REV. DCN 40100	10/01/13	STW
A	REV. DCN 41068	01/21/15	STW



MATERIAL:

BODY, FERRULE,
CLAMP NUT,
INSERTS & SLEEVES: STAINLESS STEEL PER AMS-5640,
ALLOY UNS S30300, TYPE 1

CONTACT: BERYLLIUM COPPER PER ASTM B196,
ALLOY No. UNS C17300, TD04

INSULATOR: PCTFE PER ASTM D1430

FINISH:

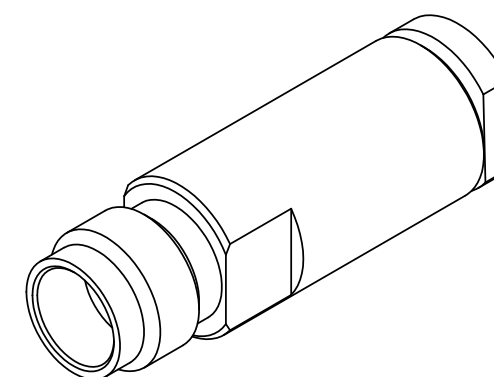
BODY, CLAMP NUT,
INSERTS & SLEEVES: PASSIVATED PER AMS-2700.

FERRULE &
CONTACT: GOLD PER ASTM B488, TYPE II, CODE C, CLASS .76,
OVER NICKEL PER AMS-QQ-N-290, CLASS 1, .000050" MIN.

PERFORMANCE:

IMPEDANCE: 50 OHMS
FREQ. RANGE: DC TO 65.0 GHz
VSWR: 1.33:1 DC TO 65.0 GHz
INSERTION LOSS: .03 X SQRT(F(F IN GHz))
DWV: 500 VRMS
OPERATING TEMP.: -55 °C TO +125 °C

ENGAGEMENT/
DISENGAGEMENT: 2 IN-LBS



MATERIAL: SEE NOTES	DIMENSIONS ARE IN INCHES TOLERANCES: FRACTIONAL: ±1/64 ANGULAR: X° ±1'0" X"X' ±15'	UNLESS OTHERWISE SPECIFIED 1) ALL DIMENSIONS ARE IN INCHES (MILLIMETERS) 2) ALL DIMENSIONS ARE AFTER PLATING. 3) BREAK CORNERS & EDGES .005 R. MAX. 4) CHAM. 1ST & LAST THREADS. 5) SURFACE ROUGHNESS 63-MIL-STD-10. 6) DIA. 'S ON COMMON CENTERS TO BE CONCENTRIC WITHIN .005 T.I.R. 7) REMOVE ALL BURRS	SV Microwave, Inc. 2400 Centrepark West Drive, Suite 100 West Palm Beach, FL 33409
FINISH: SEE NOTES	DECIMAL: X ±.030 .XX ±.010 .XXX ±.005	INTERPRET DIMENSIONS AND TOLERANCES PER ASME Y14.5M - 1994	TITLE: 1.85MM JACK FOR Ø.085 SEMI-RIGID CABLE
SURFACE AREA: N/A	THIRD ANGLE PROJECTION	DRAWN: JMC10/01/13	SIZE CAGE CODE DWG. NO. B 95077 SF3321-60006
PROPRIETARY THE INFORMATION CONTAINED IN THIS DRAWING IS THE SOLE PROPERTY OF SV MICROWAVE, INC. ANY REPRODUCTION IN PART OR AS A WHOLE WITHOUT THE WRITTEN PERMISSION OF SV MICROWAVE, INC IS PROHIBITED.		CHECKED: STW 10/01/13 APPROVED: STW 10/01/13	SCALE: 6:1 SHEET 1 OF 1