

Customer Information Sheet

DRAWING No.: M80-880XX98

SHEET 2 OF 2

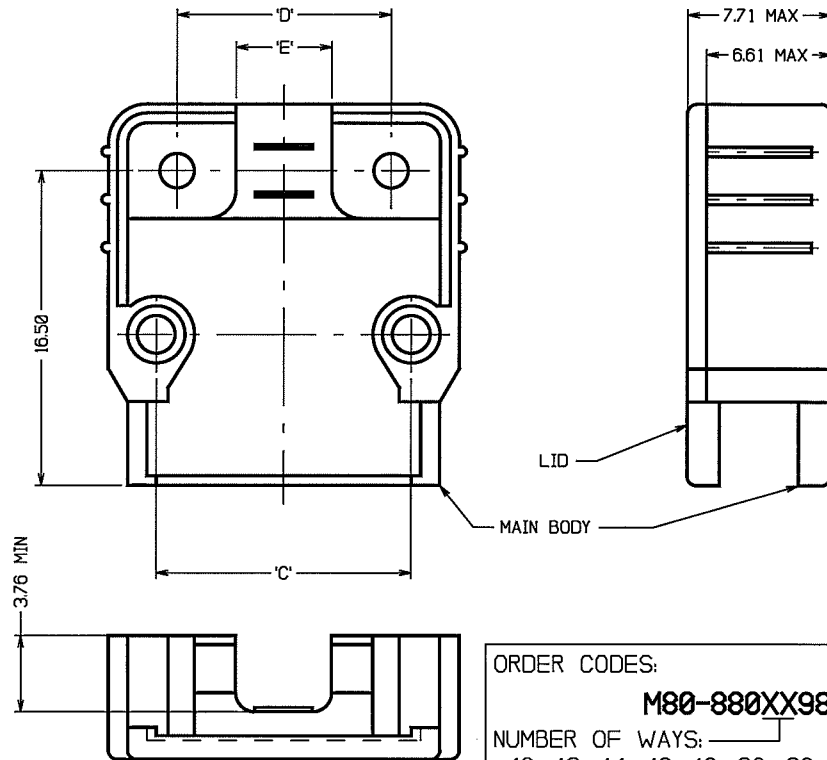
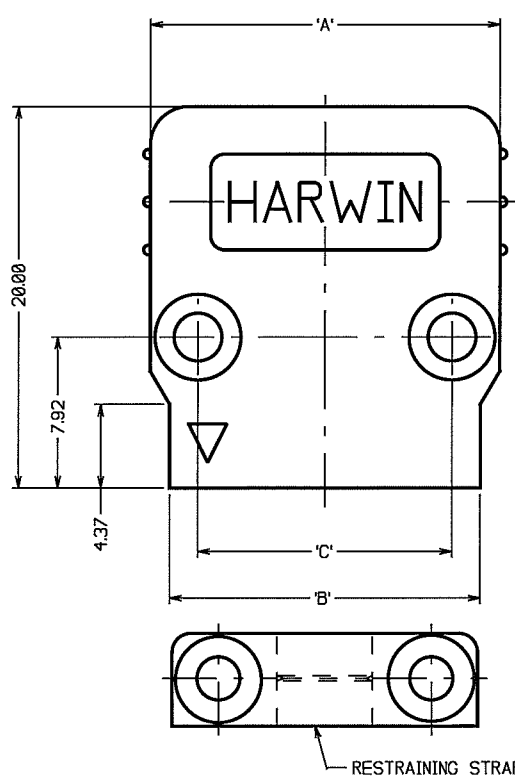
IF IN DOUBT - ASK

©

NOT TO SCALE

THIRD ANGLE PROJECTION

ALL DIMENSIONS IN mm



ORDER CODES:

M80-880XX98

NUMBER OF WAYS: _____

10, 12, 14, 16, 18, 20, 26, 34

NOTES:

- ASSEMBLY KIT ALSO INCLUDES 2 OFF 2 x 4.5 LONG FOR STRAP & 2 OFF 2 x 6.0 LONG FOR LID SELF TAPPING SCREWS.
- MATERIAL FOR LID, BODY & STRAP:
30% GLASS FILLED POLYESTER, UL94V-0, BLACK.
- FOR INSTRUCTION SPECIFICATIONS, SEE INSTRUCTION SHEET IS-08.

ASSEMBLY PART NUMBER	No OF WAYS	DIMENSIONS				
		'A'	'B'	'C'	'D'	'E'
M80-8801098	10	16.30	14.30	11.30	9.15	5.00
M80-8801298	12	18.30	16.30	13.30	11.15	5.00
M80-8801498	14	20.30	18.30	15.30	13.15	6.00
M80-8801698	16	22.30	20.30	17.30	15.15	6.00
M80-8801898	18	24.30	22.30	19.30	17.15	7.00
M80-8802098	20	26.30	24.30	21.30	19.15	8.00
M80-8802698	26	32.30	30.30	27.30	25.15	10.00
M80-8803498	34	40.30	38.30	35.30	33.15	14.00

RA	5	16.03.09	10311
NAME	ISS.	DATE	C/NOTE
APPROVED: <i>[Signature]</i>			
CHECKED: <i>[Signature]</i>			
DRAWN:		P. COLLINS	
CUSTOMER REF.:			
ASSEMBLY DRG:			

HARWIN

HARWIN USA
TEL: 603 893 5376
FAX: 603 893 5396
misa@harwin.com

HARWIN Europe (UK)
TEL: 023 9231 4545
FAX: 023 9231 4590
misa@harwin.co.uk

HARWIN Asia
TEL: +65 6 779 4909
FAX: +65 6 779 3868
misa@harwin.com.sg

THIS DRAWING AND ANY INFORMATION OR DESCRIPTIVE MATTER SET OUT HEREON ARE CONFIDENTIAL AND COPYRIGHT PROPERTY OF THE HARWIN GROUP AND MUST NOT BE DISCLOSED, LOANED, COPIED OR USED FOR MANUFACTURING, TENDERING OR FOR ANY OTHER PURPOSE WITHOUT THEIR WRITTEN PERMISSION.

TOLERANCES
X. - ±1mm
X.X - ±0.25mm
X.XX - ±0.10mm
X.XXX - ±0.01mm
ANGLES - ±5°
UNLESS STATED

MATERIAL:
SEE NOTES
FINISH: CLEAN + FLASH FREE
S/AREA: mm²

TITLE: DATAMATE CABLE HOOD ASSEMBLY/KIT
DRAWING NUMBER: M80-880XX98
SHT 2 OF 2