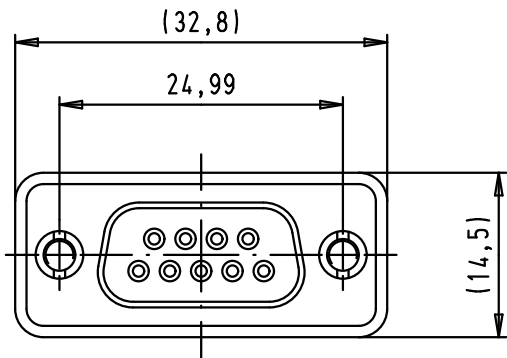
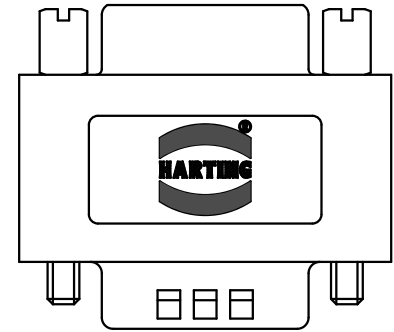
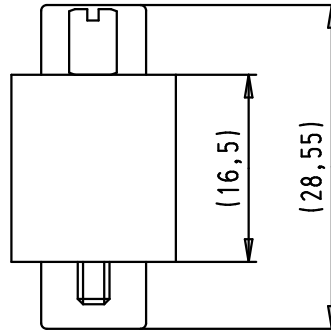
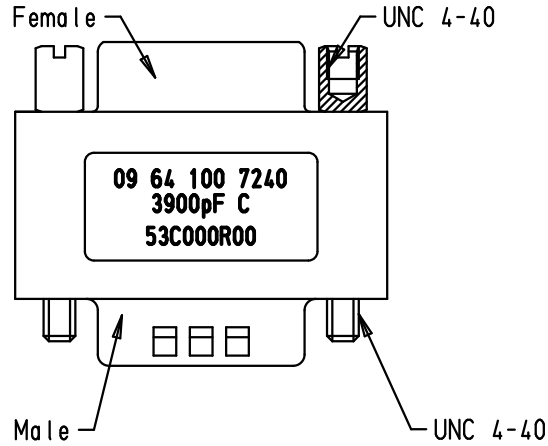


5 4 3 2 1





SPECIFICATIONS

Filter type	C
Capacitance	3900 pF±20%
Working voltage	100 V
Current rating	6,5 A

Minimum insertion loss

FREQUENCY (MHz)	ATTENUATION (dB)
1	1
5	6
10	11
50	25
100	35
500	35
1000	32

Note: Jack-screws are not pre-mounted to allow mounting from any ends

				Dot.	Name	 All Dim. in mm Orig. Size DIN A 4	Male / Female D-Sub filter adapter, 9 poles, 3900 pF	Maßstab/ Scale
			Detail.	03/09/07	JS			1,5:1
34901	01/04/08	BB	Insp.					
34894	12/03/08	PK	Stand.				Blatt/ Page	
	03/09/07	JS	HARTING EURL F-95972 Paris				TB 09 64 100 7240	1 / 1
Mod.	Dot.	Name					Sub.	