

SECTION A-A  
SCALE 4:1

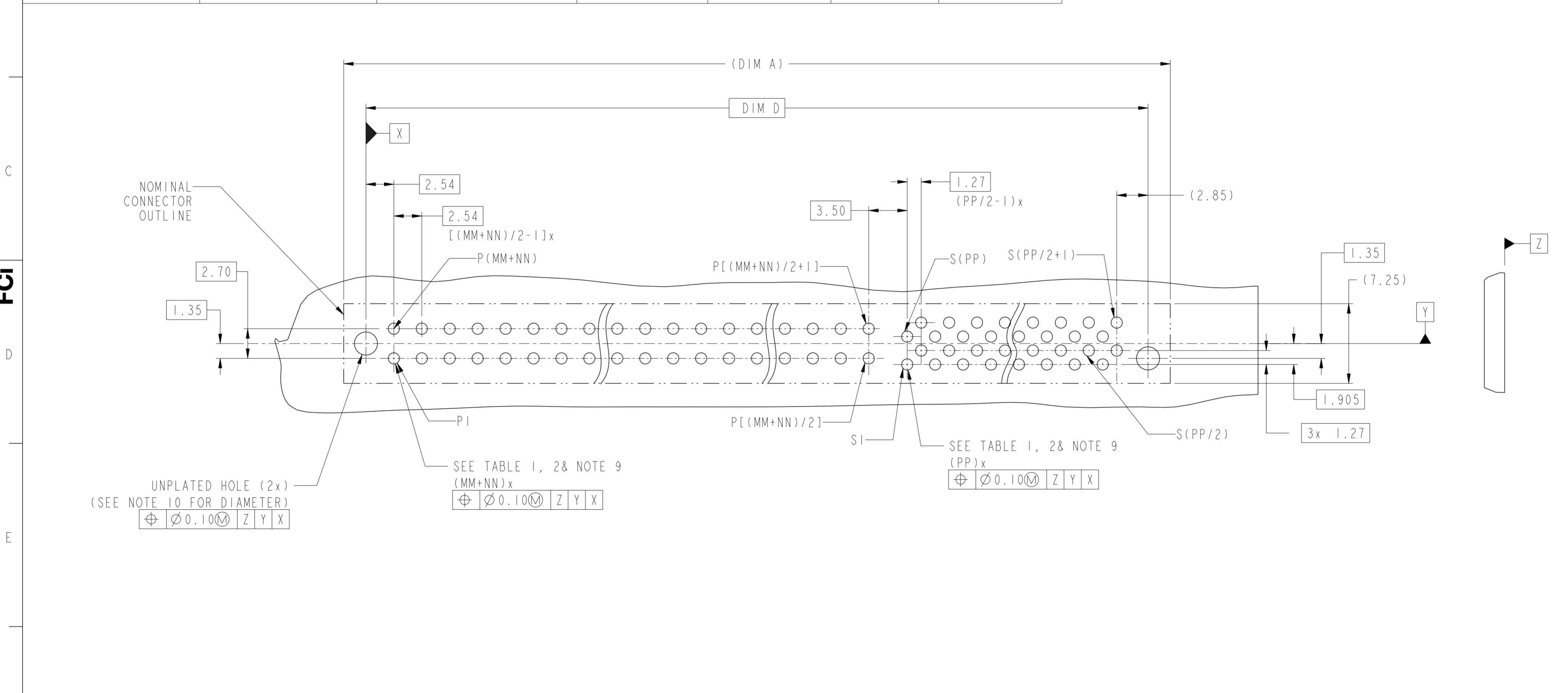
SECTION B-B  
SCALE 4:1

|                                       |                                       |          |                        |            |                |  |        |                |          |     |
|---------------------------------------|---------------------------------------|----------|------------------------|------------|----------------|--|--------|----------------|----------|-----|
| spec ref                              | -                                     | dr       | Wei-Long Zhang         | 2012/06/14 | projection     | MM   | size   | A2             | scale    | 1:1 |
| tolerance std                         | ISO 406<br>ISO 1101                   | eng      | Sunny2 Liu             | 2016/05/05 |                |  | ecn no | ELX-DG-24036-1 |          |     |
| TOLERANCES UNLESS OTHERWISE SPECIFIED |                                       | chr      | Terris Liu             | 2016/05/20 |                |  |        | rel level      | Released |     |
| surface                               | ASME Y14.5                            | appr     | Pai-Ming Zheng         | 2016/05/24 | product family | VERT REC WITH ENHANCED WALLS<br>HIGH POWER CARD EDGE - UNIVERSAL DRAWING |        | 10121505       | rev      | B   |
| linear                                | 0.X ±0.5<br>0.XX ±0.25<br>0.XXX ±0.10 | cat. no. | Product - Customer Drw |            | sheet 1 of 4   |  |        |                |          |     |
| angular                               | 0° ±2°                                |          |                        |            |                |  |        |                |          |     |

| CONTACT TYPE   | TOP LAYER DESCRIPTION | TABLE 1 (HPCE / SOLDER TAILS)<br>PLATED THROUGH-HOLE REQUIREMENTS |                  |                    |               |                        |
|----------------|-----------------------|---|------------------|--------------------|---------------|------------------------|
|                |                       | DRILLED HOLE DIAMETER   | COPPER THICKNESS | TIN-LEAD THICKNESS | TIN THICKNESS | FINISHED HOLE DIAMETER |
| POWER & SIGNAL | TIN-LEAD              | 1.10-1.16 (1.15 DRILL)  | 0.025 - 0.050    | 0.005 - 0.015      | --            | 0.94 - 1.10            |
|                | IMMERSION TIN         | 1.10-1.16 (1.15 DRILL)  | 0.025 - 0.050    | --                 | 0.9 - 1.5um   | 0.94 - 1.10            |
|                | COPPER (SEE NOTE 8)   | 1.10-1.16 (1.15 DRILL)  | 0.025 - 0.050    | --                 | --            | 0.94 - 1.10            |

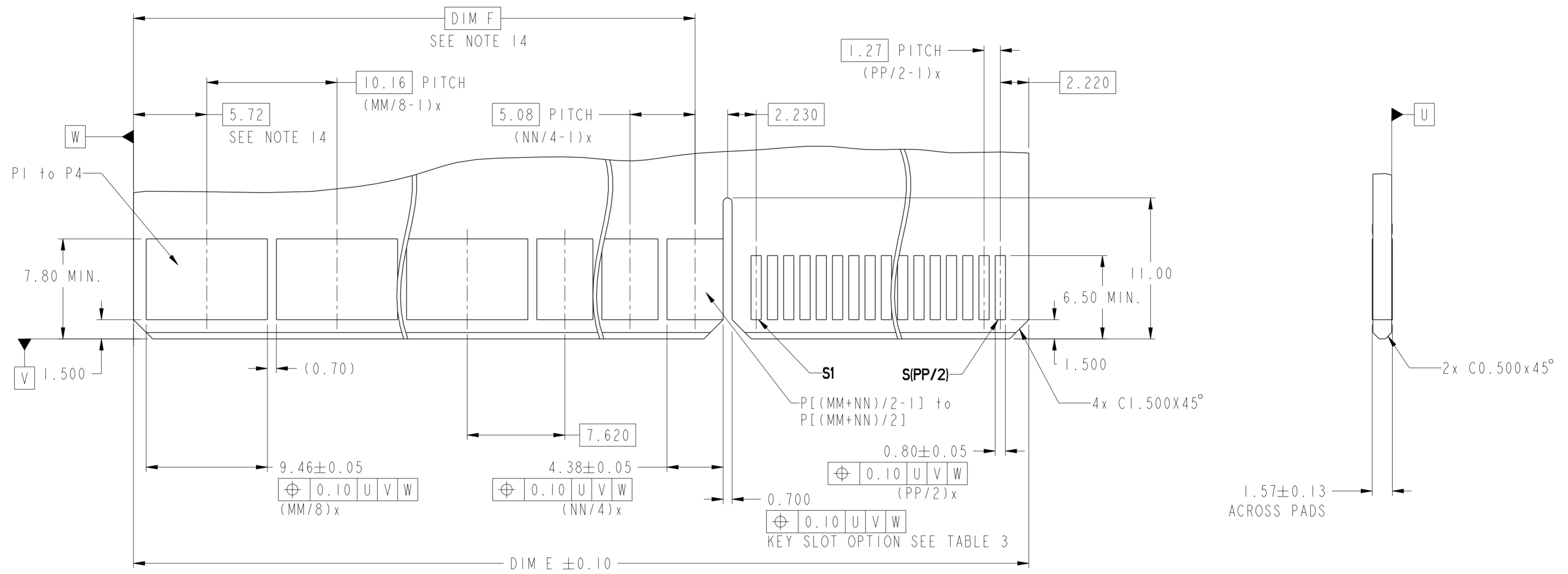
| CONTACT TYPE   | TOP LAYER DESCRIPTION | TABLE 2 (HPCE / PRESS-FIT TAILS)<br>PLATED THROUGH-HOLE REQUIREMENTS |                  |                    |               |                        |
|----------------|-----------------------|--|------------------|--------------------|---------------|------------------------|
|                |                       | DRILLED HOLE DIAMETER  | COPPER THICKNESS | TIN-LEAD THICKNESS | TIN THICKNESS | FINISHED HOLE DIAMETER |
| POWER & SIGNAL | TIN-LEAD              | 0.81-0.86 (0.85 DRILL)   | 0.025 - 0.050    | 0.005 - 0.015      | --            | 0.65 - 0.80            |
|                | IMMERSION TIN         | 0.81-0.86 (0.85 DRILL)   | 0.025 - 0.050    | --                 | 0.9 - 1.5um   | 0.70 - 0.80            |
|                | COPPER (SEE NOTE 8)   | 0.81-0.86 (0.85 DRILL)   | 0.025 - 0.050    | --                 | --            | 0.70 - 0.80            |



Amphenol FCI

© 2016 APCI

|                                       |                     |         |                |            |            |    |   |                |              |          |   |
|---------------------------------------|---------------------|---------|----------------|------------|------------|----|---|----------------|--------------|----------|---|
| spec ref                              | -                   | dr      | Wei-Long Zhang | 2012/06/14 | projection | MM | size  | A2             | scale        | 1:1      |   |
| tolerance std                         | ISO 406<br>ISO 1101 | eng     | Sunny2 Liu     | 2016/05/05 |            |    | ecn no  | ELX-DG-24036-1 | rel level    | Released |   |
| TOLERANCES UNLESS OTHERWISE SPECIFIED |                     | chr     | Terris Liu     | 2016/05/20 |            |    |   |                |              |          |   |
|                                       |                     | appr    | Pai-Ming Zheng | 2016/05/24 |            |    |   |                |              |          |   |
| surface                               | ASME Y14.5          | linear  | 0.X            | ±0.5       |            |    | <b>VERT REC WITH ENHANCED WALLS</b><br>HIGH POWER CARD EDGE - UNIVERSAL DRAWING |                | 10121505     | rev      | B |
|                                       |                     | angular | 0°             | ±2°        | cat. no.   |    | Product - Customer Drw  |                | sheet 2 of 4 |          |   |



|                                       |                     |  |                |            |            |       |        |                        |           |          |              |
|---------------------------------------|---------------------|--|----------------|------------|------------|-------|--------|------------------------|-----------|----------|--------------|
| spec ref                              | -                   | dr                                       | Wei-Long Zhang | 2012/06/14 | projection | MM    | size   | A2                     | scale     | 1:1      |              |
| tolerance std                         | ISO 406<br>ISO 1101 | eng                                      | Sunny2 Liu     | 2016/05/05 |            |       | ecn no | ELX-DG-24036-1         | rel level | Released |              |
| TOLERANCES UNLESS OTHERWISE SPECIFIED |                     | chr                                      | Terris Liu     | 2016/05/20 |            |       |        |                        |           |          |              |
|                                       |                     | appr                                     | Pei-Ming Zheng | 2016/05/24 |            |       |        |                        |           |          |              |
| surface                               | ASME Y14.5          | linear                                   | 0.X            | ±0.5       | 0.XX       | ±0.25 | 0.XXX  | ±0.10                  | angular   | 0°       | ±2°          |
| Amphenol FCI                          |                     | VERT REC WITH ENHANCED WALLS             |                |            | 10121505   |       |        | rev B                  |           |          |              |
|                                       |                     | HIGH POWER CARD EDGE - UNIVERSAL DRAWING |                |            | cat. no.   |       |        | Product - Customer Drw |           |          | sheet 3 of 4 |

PDS: Rev :B

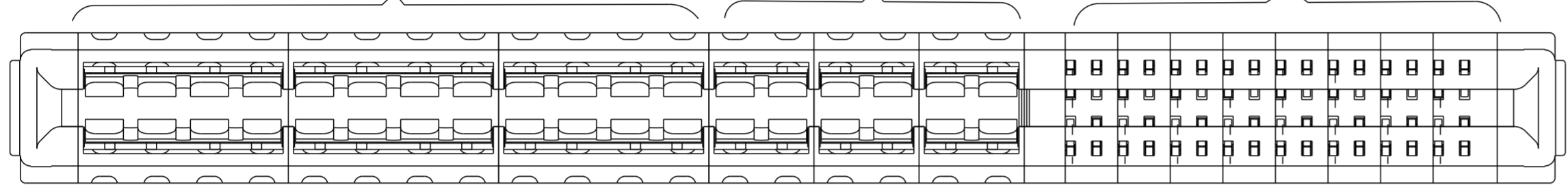
STATUS:Released

Printed: May 24, 2016

10121505 - MM NN PP LF

|                         |     |    |     |    |
|-------------------------|-----|----|-----|----|
|                         | A   | B  | C   | D  |
| Polarization Key Option | Y   | Y  | N   | N  |
| Tail Type Note 12       | STB | PF | STB | PF |

QUAD PWR BEAM QTY (NEXT TO LEFT END)      DUAL PWR BEAM QTY (NEXT TO SIGNAL)      SIGNAL CONTACT QTY



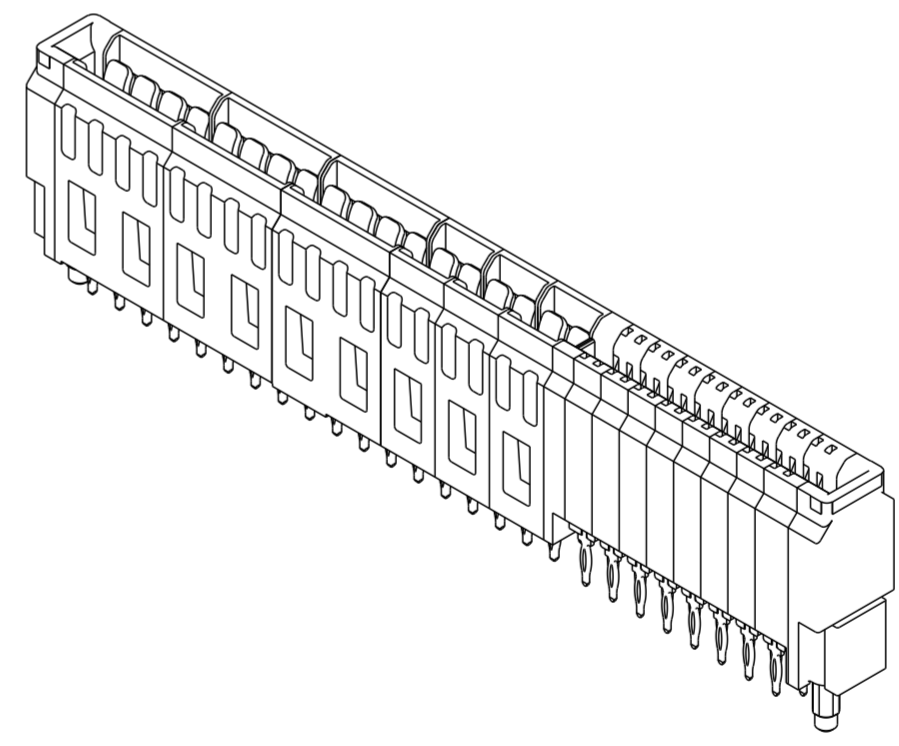
Example: The configuration above is 10121505-241232BLF  
 VERT Press fit 36P32S with polarization key. 24P is Quad beam contact, 12P is dual beam contact.

TABLE 3. PART NUMBER CODE. HPCE VERT P+S CONFIG

NOTES:

- CONNECTOR MATERIALS:  
 HOUSING: HIGH TEMPERATURE THERMAL PLASTIC, BLACK  
 UL 94V-0 COMPLIANT  
 CONTACTS: HIGH PERFORMANCE COPPER ALLOY.
- CONTACT FINISH REF. GS-12-604 SECTION 5.2.
- PRODUCT SPECIFICATION: GS-12-604.
- APPLICATION SPECIFICATION: GS-20-128.
- PRODUCT MARKING ON HOUSING IN AREA SHOWN MEETS AFCI SPECIFICATION: GS-24-007.
- PACKAGING MEETS FCI SPECIFICATION GS-14-937.
- HOUSING COMPONENT WILL WITHSTAND EXPOSURE TO 260°C PEAK TEMPERATURE FOR 60 SECONDS IN A CONVECTION, INFRA-RED, OR VAPOR PHASE REFLOW OVEN.
- COPPER PLATING THICKNESS IN CENTER OF VIA-HOLE CAN BE NO MORE THAN 0.003 LESS THAN OTHER AREAS.
- ALL HOLE SIZES ARE FINISHED HOLE SIZES.
- MOUNTING HOLES ARE UNPLATED  
 Ø 2.40 +/- 0.1 FOR PRESS-FIT TAILS  
 Ø 2.18 +/- 0.03 FOR SOLDER TAILS
- PRESS FIT APPLICATION TOOL DRAWING : 10119453.
- STB= Solder to board, 1.57-2.38mm PCB thickness.  
 PF = Press fit, 1.57mm minimum PCB thickness.
- MAXIMUM OVERALL LENGTH IS 100mm.
- A SYMBOL  $\triangle$  WILL BE NEXT TO ANY DIMENSION, VIEW, OR NOTE WHICH HAS BEEN MODIFIED WITH THE CURRENT DRAWING REVISION.

| DIM   | TABLE 2. LENGTH FORMULAS.  |
|-------|--|
| DIM A | $(13) (MM/8) \times 10.16 + (NN/4) \times 5.08 + (PP/2) \times 1.27 + 9.12$  |
| DIM B | DIM "A" - 5.00   |
| DIM C | DIM "A" - 0.94   |
| DIM D | DIM "A" - 4.04   |
| DIM E | DIM "A" - 5.30   |
| DIM F | $(MM/8-1) \times 10.16 + (NN/4-1) \times 5.08 + 13.34$ (WITH 4 BEAM CONTACT) |
|       | 3.18 (WITHOUT 4 BEAM CONTACT)  |



|                                       |                     |            |                |            |            |              |          |                        |              |          |
|---------------------------------------|---------------------|------------|----------------|------------|------------|--------------|----------|------------------------|--------------|----------|
| spec ref                              | -                   | dr         | Wei-Long Zhang | 2012/06/14 | projection | MM           | size     | A2                     | scale        | 1:1      |
| tolerance std                         | ISO 406<br>ISO 1101 | eng        | Sunny2 Liu     | 2016/05/05 |            |              | ecn no   | ELX-DG-24036-1         | rel level    | Released |
| TOLERANCES UNLESS OTHERWISE SPECIFIED |                     | chr        | Terris Liu     | 2016/05/20 |            |              |          |                        |              |          |
| surface                               | linear              | ASME Y14.5 | angular        | 0°         | ±2°        | Amphenol FCI | cat. no. | Product - Customer Drw | sheet 4 of 4 |          |

Amphenol FCI

© 2016 AFCI