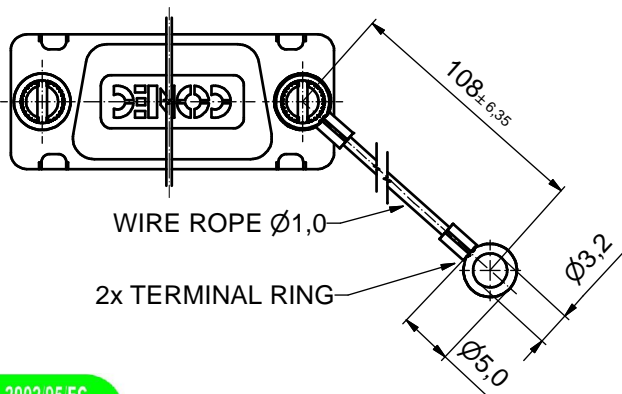
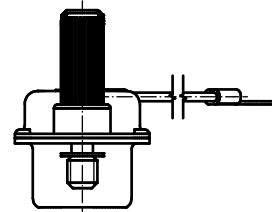
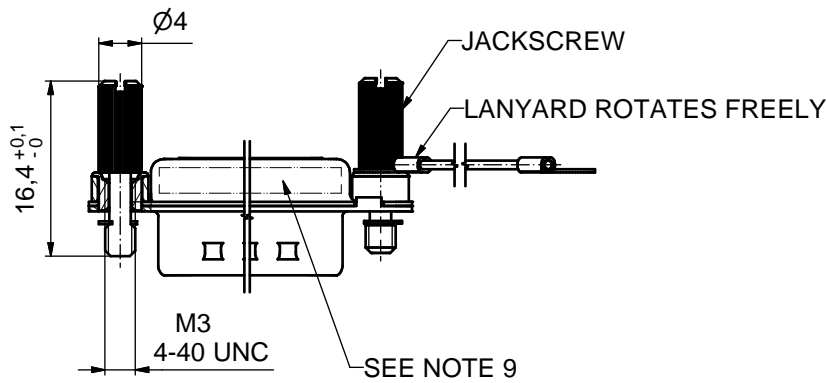
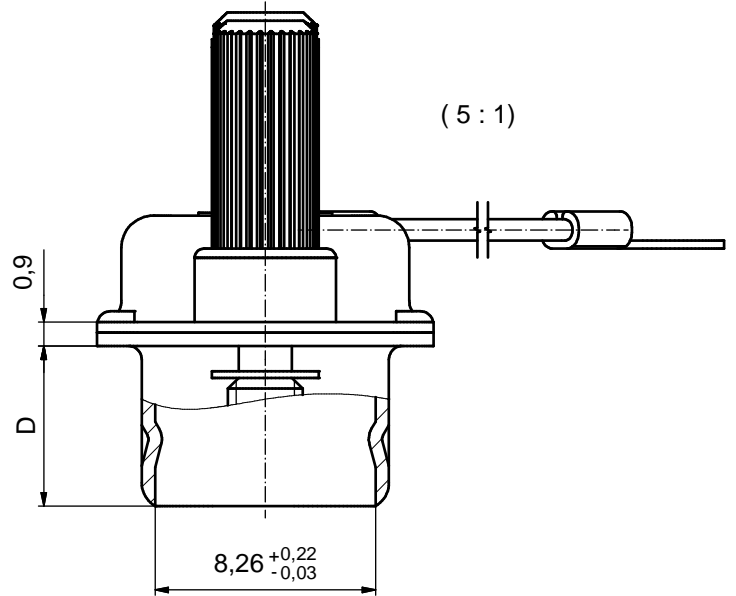
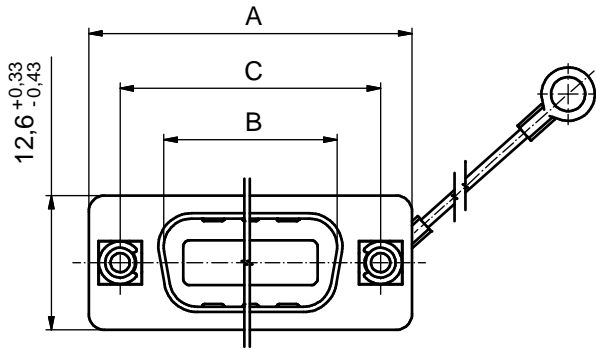


(5:1)



No. of pos.	A ^{-0,76}	B ^{+0,25}	C	D ^{-0,3}
9	31,19	16,79	25,00 ^{+0,12 -0,10}	6,12
15	39,52	25,12	33,30 ^{+0,15}	6,12
25	53,42	38,84	47,04 ^{±0,13}	5,99
37	69,70	55,30	63,50 ^{+0,13 -0,11}	5,99

Directive 2002/95/EC
„RoHS“
Compliant

Part No. for socket connector		
No. of pos.	UNC 4-40	M 3
9	16-000280	16-000230
15	16-000290	16-000240
25	16-000300	16-000250
37	16-000310	16-000260

NOTES:

- METALSHELLS: COPPER ALLOY; min. 315µin TIN over 40-80µin NICKEL
- THREADED INSERT: COPPER ALLOY; min. 200µin TIN over 80µin NICKEL
- COLLAR: COPPER ALLOY; min. 200µin TIN over 80µin NICKEL
- ⓑ JACKSCREW: STAINLESS STEEL 1.4305
- WIRE ROPE: STAINLESS STEEL 1.4401
- RETAINING WASHER: STAINLESS STEEL 1.4122
- TERMINAL RING: UNINSULATED, COPPER ALLOY; min. 200µinTIN over 80µin NICKEL
- MAXIMUM TORQUE VALUE FOR THREAD: 6in.LB
- CONNECTOR IS PART MARKED: PART NO. CONEC ABC

APPROVAL # FREIGABE # DEBLOCAGE # AUTORIZACION # APPROVAL

CUSTOMER APPROVAL DATE:

NAME: _____ TITLE: _____

COMPANY NAME: _____

APPROVAL # FREIGABE # DEBLOCAGE # AUTORIZACION # APPROVAL

THIS DRAWING MAY NOT BE COPIED OR REPRODUCED IN ANY WAY, AND MAY NOT BE PASSED ON TO A THIRD PARTY WITHOUT WRITTEN PERMISSION. OWNERSHIP AND COPYRIGHT OF CONEC GmbH

DO NOT ALTER CAD DRAWING BY HAND

1 x b	Ä 3186	17.11.2008	Petker	tolerance	ISO 2768-m	dim. in mm
rev.	description	date	name	date	name	
a	Origin			drawn	30.04.08	Sonnenberg
				appd.	30.04.08	Fischer
				norm		
				d-old		

scale: 2:1 (5:1)

material: SEE NOTES

title: **SCREEN CAP**
9-37pos. FOR SOCKET CONNECTOR
with threaded insert, jackscrew and wire rope

dwg no: Inventor 10 DIN-A3 sh: 1

part no: 16K1A2276

part no: see table

