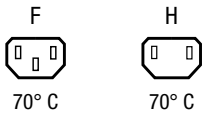


IEC Appliance Outlet F, Screw-on Mounting, Rear Side, PCB-/Solder Terminal



**Description**

- Panel Mount :  
Screw-on mounting from rear-side
- 1 Function
- Connector , Pin temperature 70 °C , protection class I or II
- For PCB mounting

**Approvals**

- CSA File Number: 1896151
- CCC File Number: 2015180204000595 (PC I only / nur SK I)

**Other versions on request**

- For protection class II

**References**

Substitute for type [P675/PC](#)  
Alternative: protection class II version

**Weblinks**

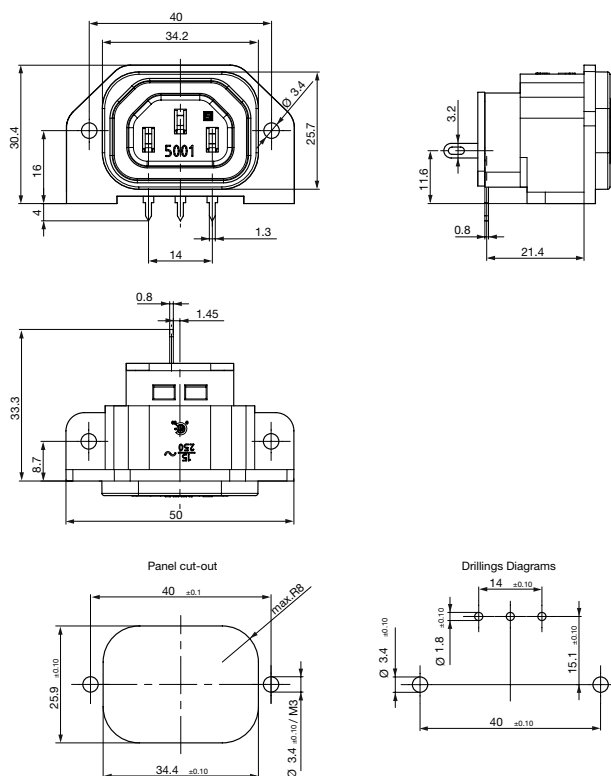
[pdf datasheet](#), [html-datasheet](#), [General Product Information](#), [RoHS](#), [CHINA-RoHS](#), [REACH](#), [Distributor-Stock-Check](#), [Accessories](#), [Detailed request for product](#)

**Technical Data**

Ratings IEC	10A / 250VAC; 50Hz	appliance inlet/-outlet	F acc. to IEC 60320-1,
Ratings UL/CSA	15A / 250VAC; 60Hz		UL 498, CSA C22.2 no. 42 (for cold
Dielectric Strength	> 4 kVAC between L-N > 2 kVAC between L/N-PE (1 min/50Hz)		conditions) pin-temperature 70 °C, 10A,
Allowable Operation Temperature	-25 °C to 70 °C		Protection Class I or II
IP-Protection	from front side IP 20 acc. to IEC 60529		
Insulation cover	Suitable for appliances with protection class I or II acc. to IEC 61140		
Terminal	For PCB mounting ; Ground terminal: Solder terminal straight		
Material: Housing	PA6, black / grey / white, UL 94V-0		

Detailed information on product approvals, code requirements, usage instructions and detailed test conditions can be looked up in [General Product Information](#)

Dimensions



Config. Code

5001 - H - A B C 0 - D - E O

The characters are placeholders for the correspondingly keys of selections from the key tables.

5001 - **H** - A B C 0 - D - E O = Type

Type	Configuration key
protection class II	B
protection class I	X

Terminal Ground

Configuration key

without terminal	0
PCB-terminal long (additional solder terminal)	6

Symbols similar as in table A


5001 - H - A B C 0 - **D** - E O = Color

Color

Configuration key

Black	A
Grey	B
White	D

5001 - H - **A** B C 0 - D - E O = Terminals

Terminal L	Configuration key
PCB-terminal standard (additional solder terminal) 	4

5001 - H - A **B** C 0 - D - E O = Terminals

Terminal N	Configuration key
PCB-terminal standard (additional solder terminal)	4

Symbols similar as in table A

5001 - H - A B C 0 - D - **E** O = Style

Style

Configuration key

flange with through holes	2
---------------------------	---

5001 - H - A B C 0 - D - E **O** = Features

5001 - H - A B **C** 0 - D - E O = Terminals

Features

Configuration  
key

--

All Variants

Config. Code	Description	Order Number
5001-X-4460-A-2	5001, IEC Connector F, 70°CI or II, L: PCB-terminal standard (additional solder terminal), N: PCB-terminal standard (additional solder terminal), ground: PCB-terminal long (additional solder terminal), color: Black, design: flange with through holes	6182.0033

The listet variants should be available from stock Other versions on request [www.schurter.com/contact](http://www.schurter.com/contact)

Most Popular.

Availability for all products can be searched real-time:<http://www.schurter.com/en/Stock-Check/Stock-Check-SCHURTER>

**Packaging unit** 50 Pcs

Mating Inlets/Plugs

Category / Description

[Plug Overview complete](#)



IEC Plug E, Cord Connector (Rewireable), Straight, max. cable Diameter 8.5 mm	4732
IEC Plug E, Cord Connector (Rewireable), Straight, max. Cable Diameter 10 mm	4735
IEC Plug E, Cord Connector (Rewireable), Straight	9009
IEC Plug E, Cord Connector (Rewireable), Angled, max. Cable Diameter 8.5 mm	4733
IEC Plug E, Cord Connector (Rewireable), Angled, max. Cable Diameter 10 mm	4736

[Plug further types to 5001](#)

...