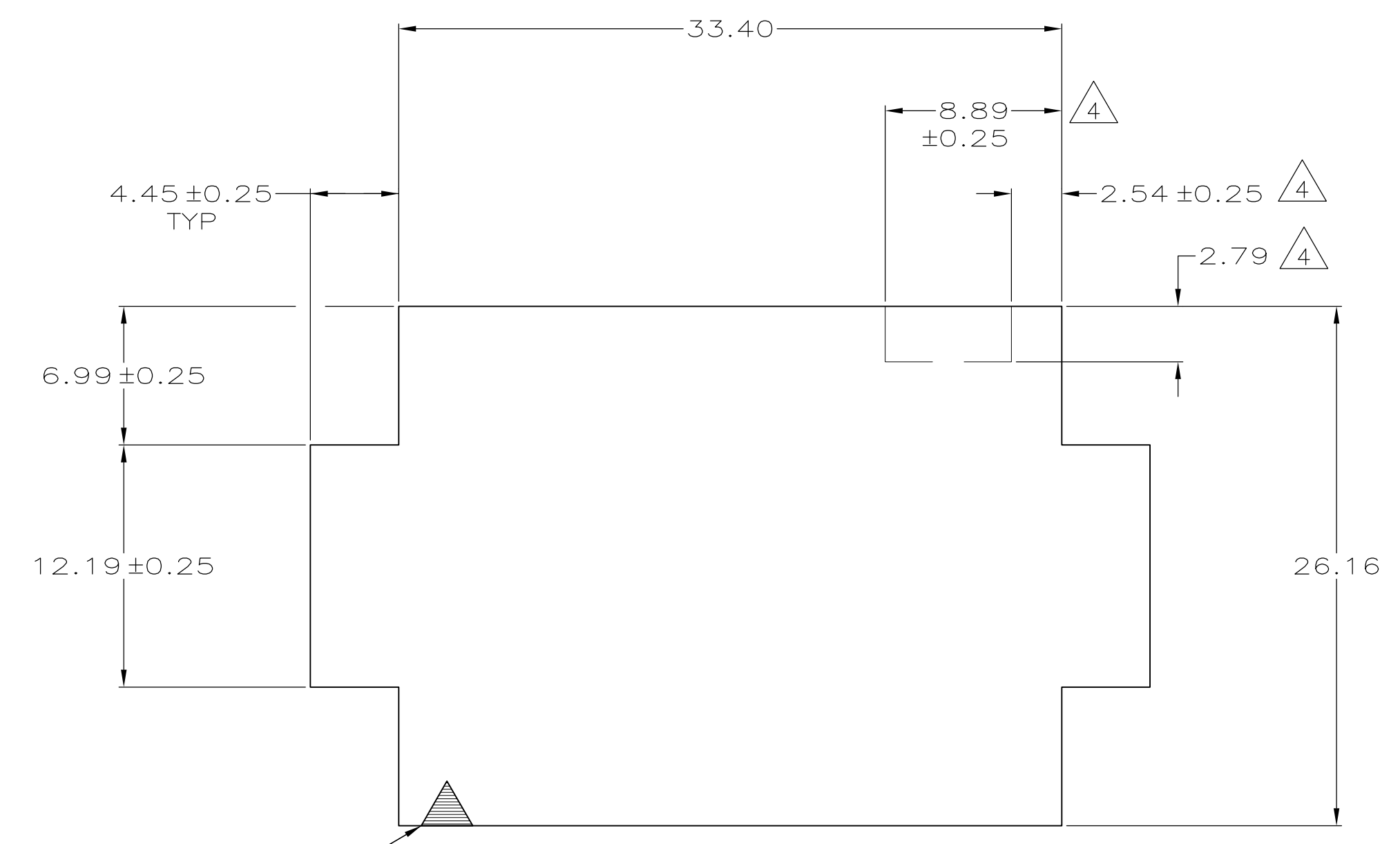
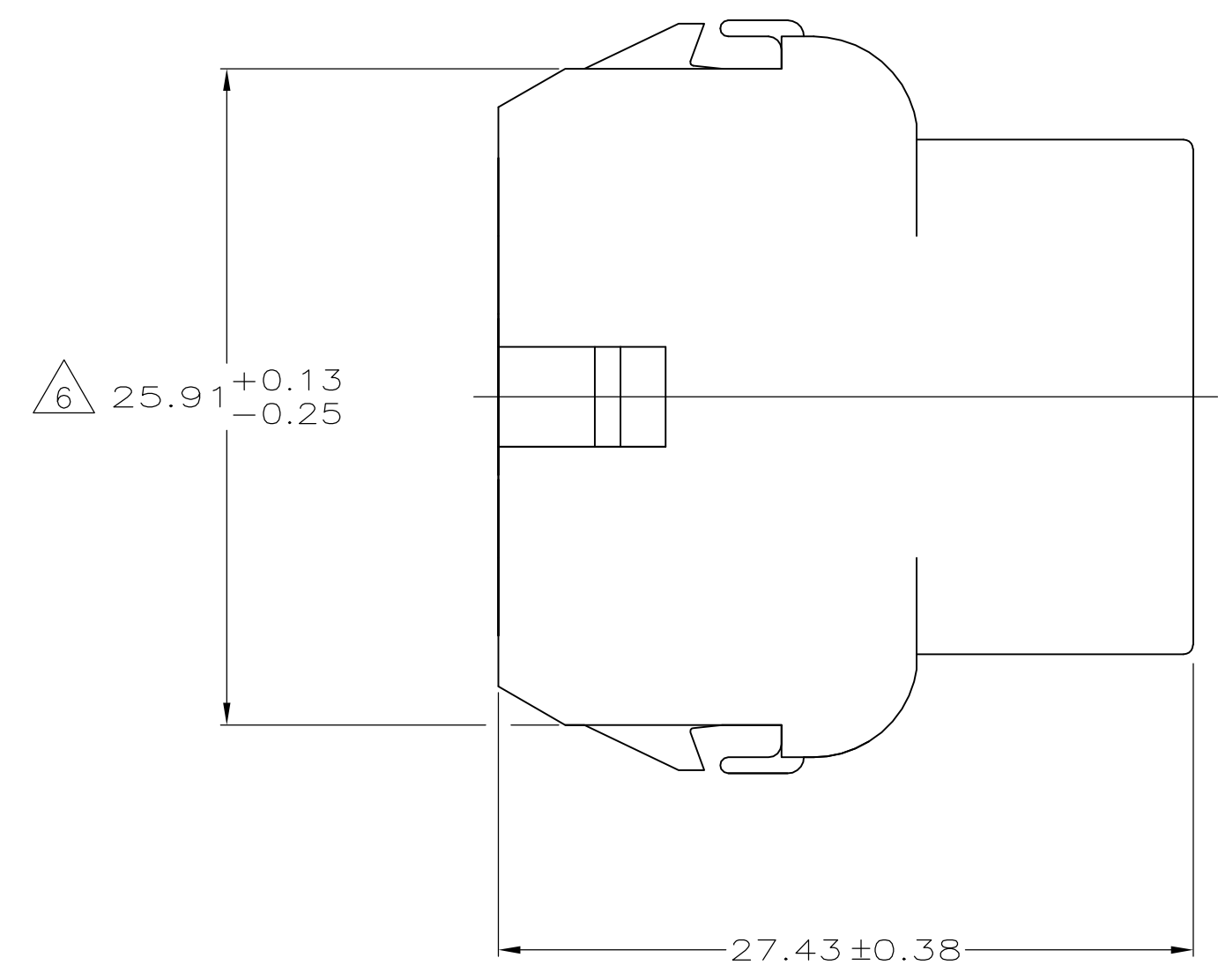
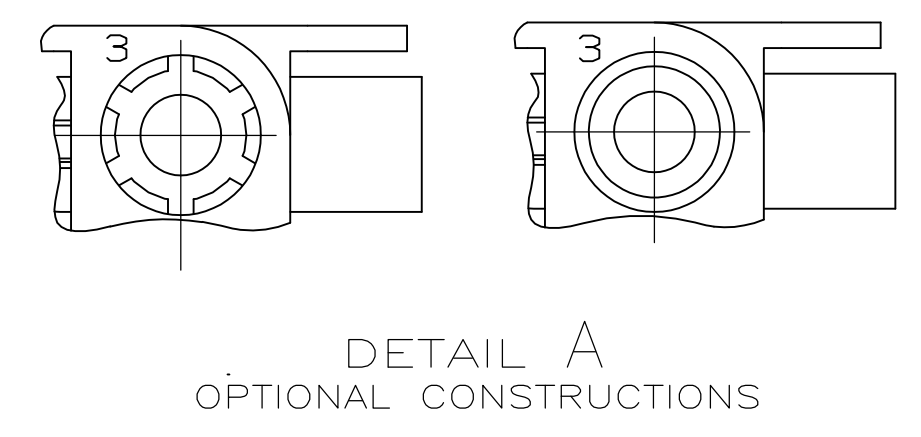
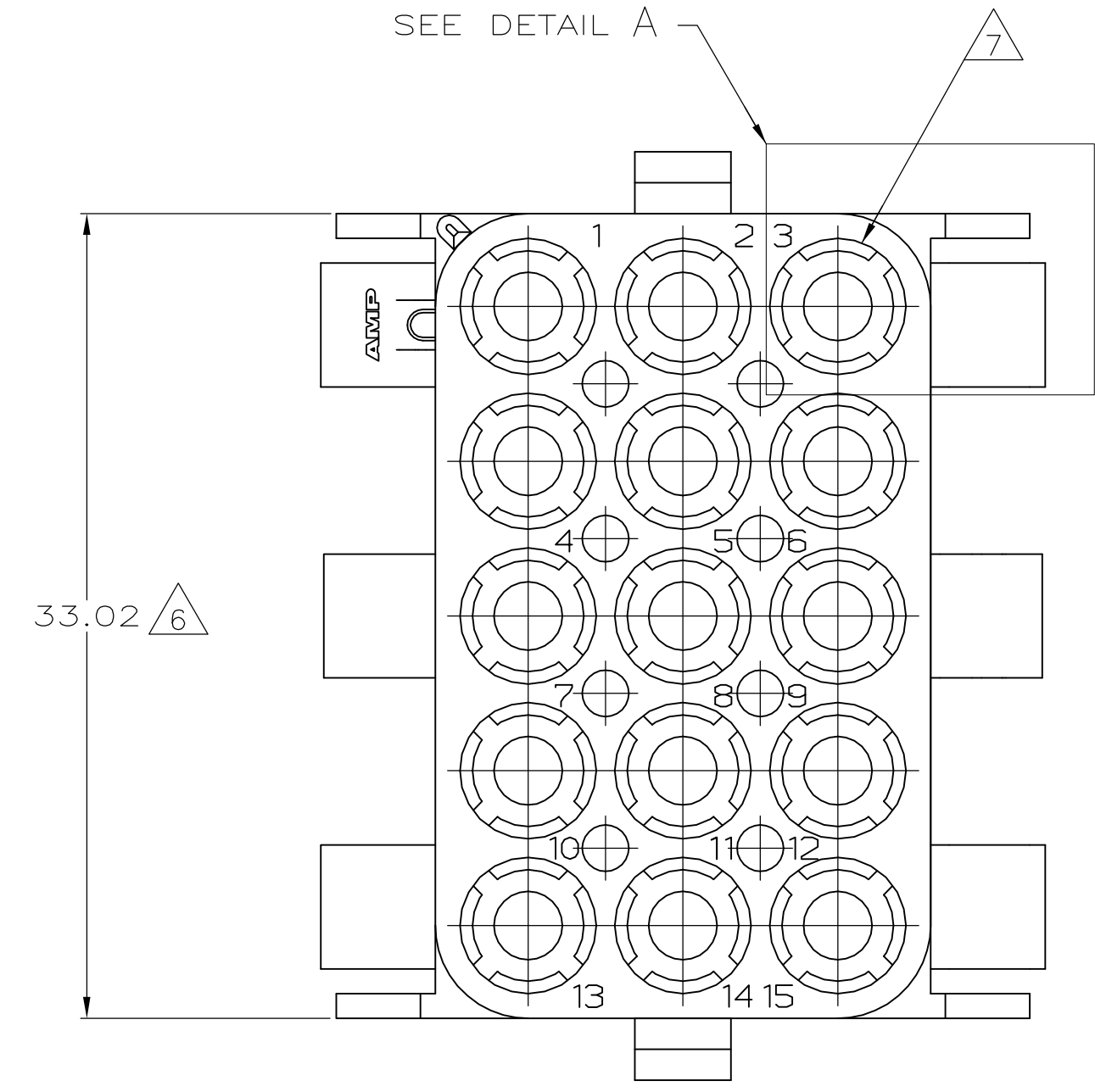
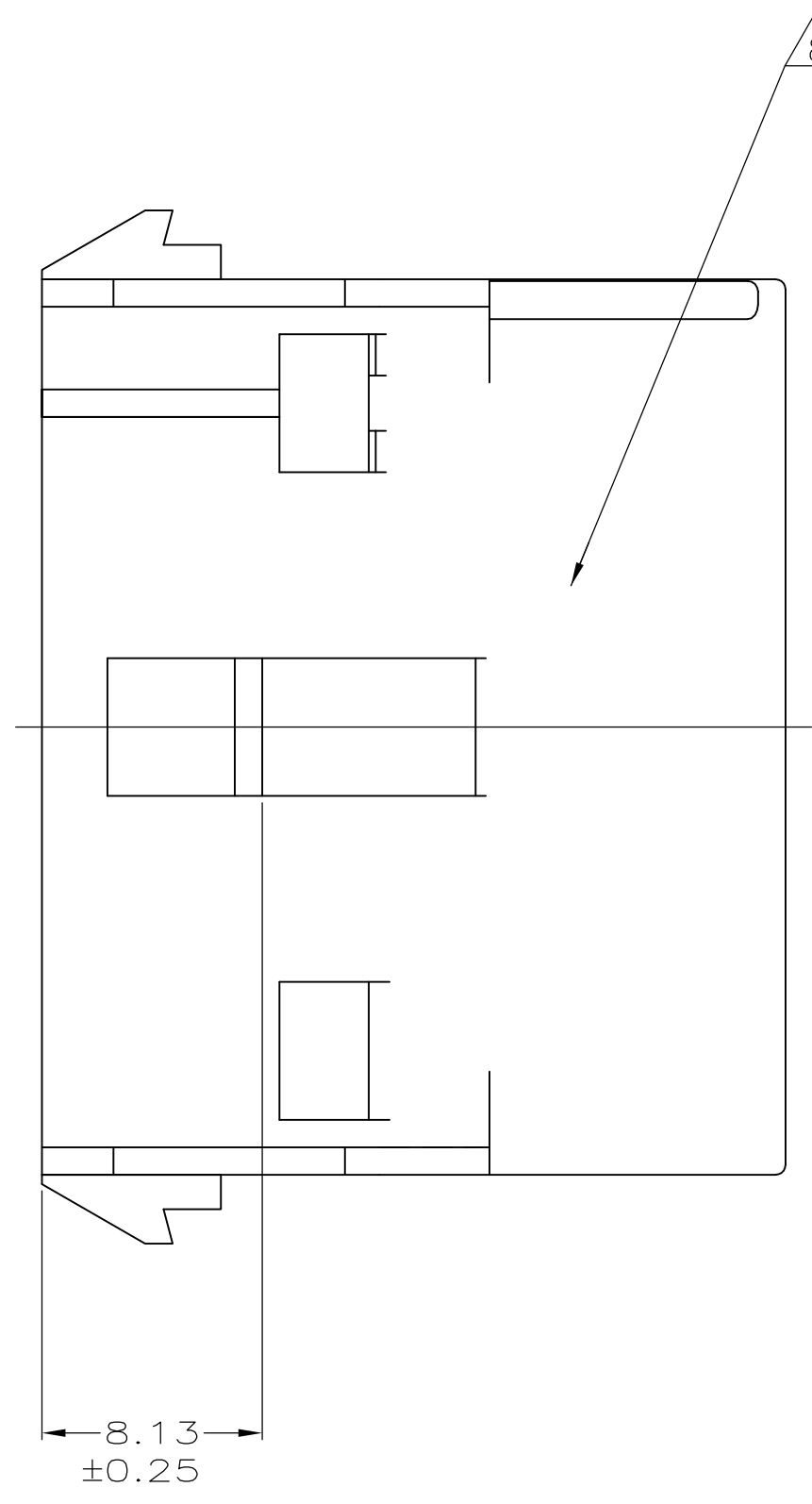
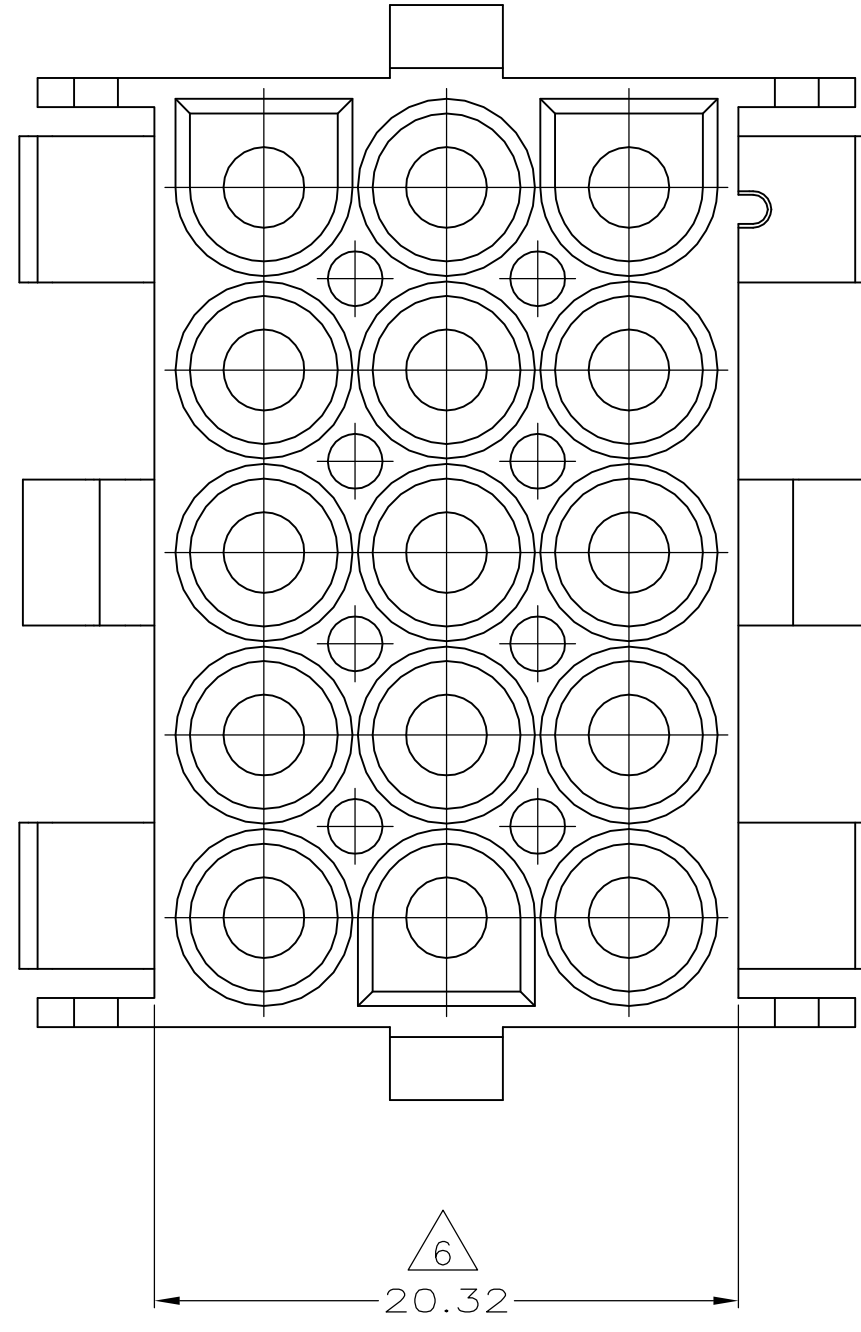


LOC	DIST	REVISIONS			
P	LTR	DESCRIPTION	DATE	DWN	APVD
CM	53	A1	REVISED PER ECO-08-022511	11SEP08	HMR DC

- 1 MATES WITH APPROPRIATE UNIVERSAL MATE-N-LOK™ PLUG.
- 2 RECOMMENDED PANEL THICKNESS 0.76 - 2.29.
- 3 PANEL MUST BE PUNCHED SO THAT THE HOUSING ENTERS THE PANEL IN THE SAME DIRECTION AS THE PUNCH.
- 4 OPTIONAL FOR KEYING HOUSING IN PANEL.
- 5 CIRCUIT NUMBER 1 LOCATION.
- 6 DIMENSION INDICATED IS AS MOLDED. ADDITIONAL GROWTH DUE TO SUBSEQUENT MOISTURE ABSORPTION MAY OCCUR.
- 7 FOUR RIBS EQUALLY SPACED, NO SPECIFIC ORIENTATION. NO RIBS OR SIX RIBS EQUALLY SPACED, NO SPECIFIC ORIENTATION, OPTIONAL.
- 8 UNDERWRITER RECOGNIZED COMPONENT LOGO AND CSA CERTIFICATION LOGO TO BE LOCATED ONCE EACH SIDE ON SIDE OF HOUSING.
- 9 150° C TEMPERATURE RATING FOR THIS HOUSING IS FOR SHORT TERM DURATION. MAX OPERATING TEMPERATURE REMAINS 125° C.
- 10 PHOSPHOR BRONZE CONTACTS SHOULD ALWAYS BE USED WITH THIS HOUSING.



RECOMMENDED PANEL CUT OUT

MM	IN	MM	IN
6.99	.275	33.40	1.315
4.45	.175	33.02	1.300
2.79	.110	27.43	1.080
2.54	.100	26.16	1.030
2.29	.090	25.91	1.020
0.76	.030	20.32	.800
0.38	.015	12.19	.480
0.25	.010	8.89	.350
0.13	.005	8.13	.320
MM	IN	MM	IN

CONVERSION TABLE

794745-1
PART NO

THIS DRAWING IS A CONTROLLED DOCUMENT. DWN: K. WHITAKER 5-28-92
 CHK: M. TRULL 10-MAR-2000
 APVD: M. TRULL 10-MAR-2000

Tyco Electronics Tyco Electronics Corporation
 Harrisburg, PA 17105-3608

NAME: CAP, 15 CIRCUIT, UNIVERSAL MATE-N-LOK™ TM

PRODUCT SPEC: -
 APPLICATION SPEC: -
 MATERIAL: NYLON,UL 94V-2
 FINISH: BLACK

SIZE: A1
 CAGE CODE: 00779
 DRAWING NO: 794745
 WEIGHT: -

RESTRICTED TO: -
 SCALE: 4:1
 SHEET: 1 OF 1
 REV: A1

CUSTOMER DRAWING

