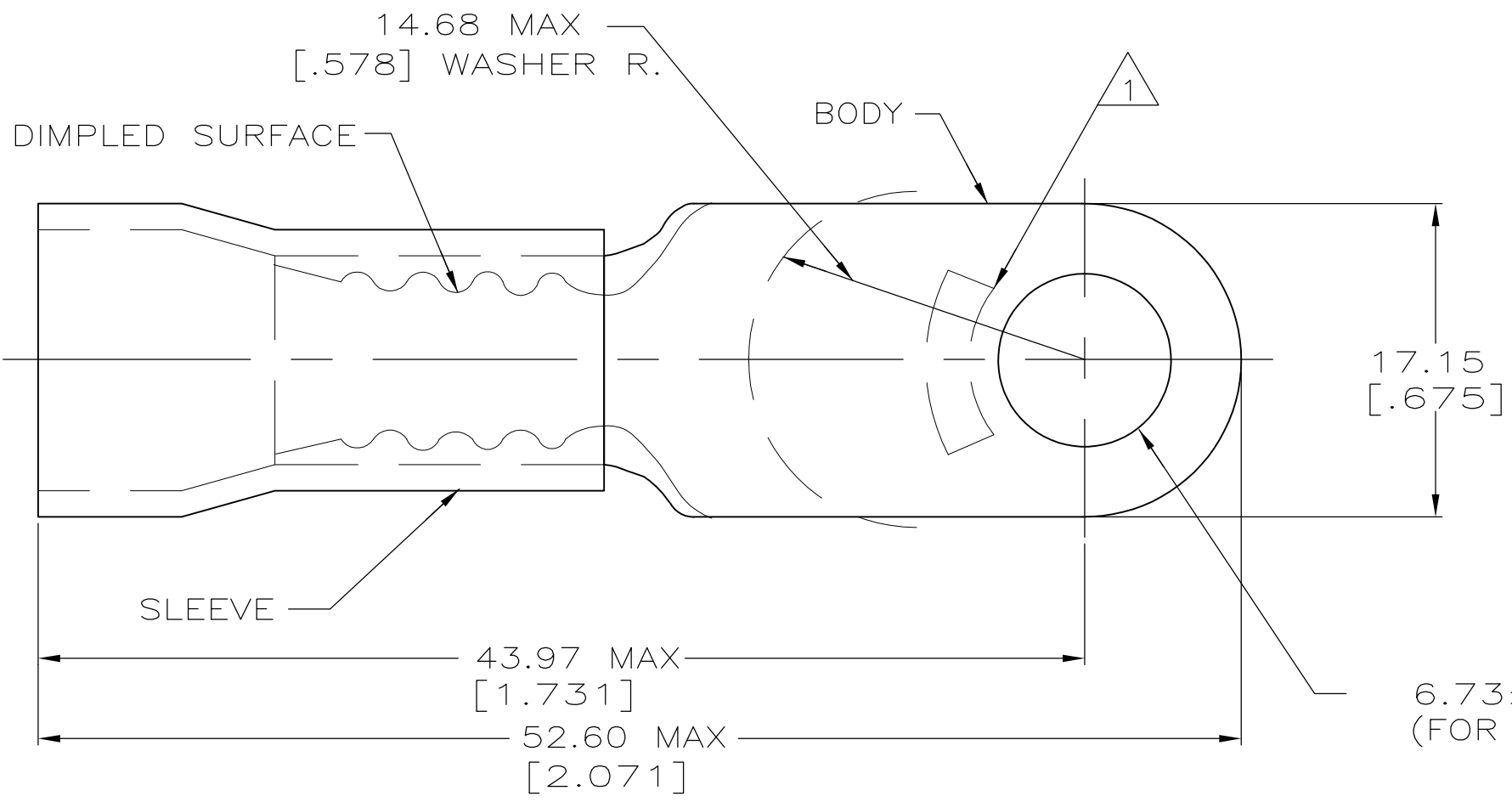


THIS DRAWING IS UNPUBLISHED. RELEASED FOR PUBLICATION  
 © COPYRIGHT BY TYCO ELECTRONICS CORPORATION. ALL INTERNATIONAL RIGHTS RESERVED.

LOC	DIST	REVISIONS					
G	14	P	LTR	DESCRIPTION	DATE	DWN	APVD
		F1		REVISED PER ECO-11-002228	11FEB11	HMR	DR



<b>AMP</b> WIRE RANGE	FILE E13288	LR7189 Certified
2 AWG STRANDED	2 AWG STRANDED	2 AWG STRANDED

- △ 1 STAMP AMP 2\* LOCATE APPROX AS SHOWN
- 2 TONGUE MATERIAL THK 1.45±0.08[.057±.003]
- 3 SEE TABLE FOR WIRE INSULATION DIA MAX

6.73±0.13 [.265±.005] DIA  
(FOR 1/4 STUD)

OBSOLETE	14.22 [.560]	50	LOOSE PC,BOX	8-52267-2
	16.05 [.632]	50	LOOSE PC	52267-1
	WIRE INSULATION DIA	QTY	PACKAGE TYPE	52267
				PART NO

<b>AMP INCORPORATED CUSTOMER SERVICE SYSTEMS</b>		MAX RECOMMENDED OPERATING TEMPERATURE: 105° C
FOR ADDITIONAL PRODUCT INFORMATION OR COPIES OF DRAWINGS AND TECHNICAL DOCUMENTS	PRODUCT INFORMATION CENTER 1-800-522-6752	VOLTAGE RATING: 600 V MAX
FOR APPLICATION TOOLING INFORMATION	TOOLING ASSISTANCE CENTER 1-800-722-1111	CIRCULAR MIL AREA: 26.65-42.41mm <sup>2</sup> [52,600-83,700] STRANDED
FOR ORDER ENTRY	1-800-526-5142	THIS DRAWING IS A CONTROLLED DOCUMENT FOR AMP INCORPORATED. IT IS SUBJECT TO CHANGE AND THE CONTROLLING ENGINEERING ORGANIZATION SHOULD BE CONTACTED FOR THE LATEST REVISION.

THIS DRAWING IS A CONTROLLED DOCUMENT.

DIMENSIONS: mm [INCHES]	TOLERANCES UNLESS OTHERWISE SPECIFIED:
	0 PLC ± -
	1 PLC ± -
	2 PLC ± 0.20[.008]
	3 PLC ± -
	4 PLC ± -
	ANGLES ± -

MATERIAL: COPPER PER ASTM B-152 PVC, COLOR: RED

FINISH: TIN PLATE PER ASTM-B545

DWN S.S. GOULDEN 9-29-93		Tyco Electronics Corporation Harrisburg, PA 17105-3608	
CHK R. HERSEY 9-29-93		NAME	
APVD B. BARE 9-29-93		TERMINAL, RING TONGUE, PLASTI-GRIP, WIRE SIZE: 2 AWG	
PRODUCT SPEC NOT AVAILABLE		SIZE	CAGE CODE
APPLICATION SPEC 114-2161	A300779		G-52267
WEIGHT -	CUSTOMER DRAWING		RESTRICTED TO -
SCALE 4:1		SHEET 1 OF 1	REV F1