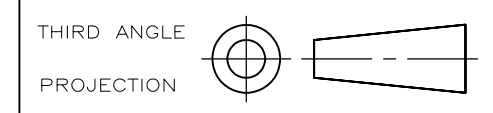


DO NOT SCALE
DIMENSIONS IN INCH

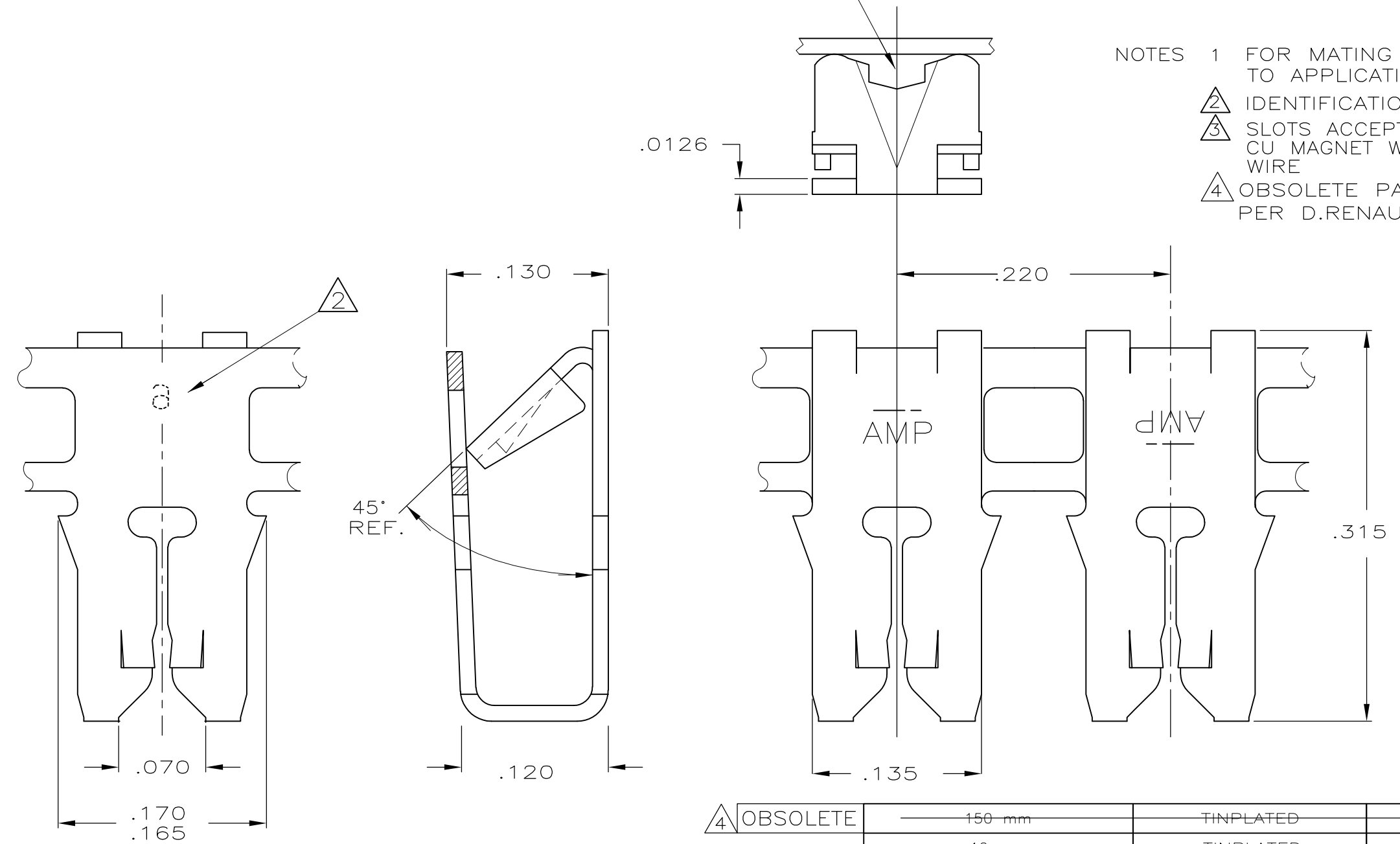
INCH



REV	REVISION RECORD	DATE	DW	APD
A1	REVISED PER ECO-09-020932	04SEP09	KK	AEG

TO ACCEPT AWG 20 OR AWG 18 SOLID
OR FUSED STRANDED LEAD WIRE

- NOTES
- 1 FOR MATING CAVITY SPECIFICATIONS REFER TO APPLICATION SPEC. #114-2046
 - 2 IDENTIFICATION NUMBER FOR SLOT SIZE "6"
 - 3 SLOTS ACCEPT SINGLE OR DOUBLE AWG 30-27 CU MAGNET WIRE OR AWG 28-25 AL MAGNET WIRE
 - 4 OBSOLETE PARTS: OBSOLETE CIS STREAMLINING PER D.RENAUD/D.SINISI



4 OBSOLETE	150 mm	TINPLATED	BRASS	160899-5
	12 mm	TINPLATED	BRASS	160899-4
	REELWIDTH	FINISH	MATERIAL	PARTNUMBER
	CUSTOMER DRAWING	AMP-HOLLAND B.V. 's-Hertogenbosch, The Netherlands.		
FOR REFERENCE ONLY WILL NOT BE UPDATED		THIS DRAWING IS UNPUBLISHED RELEASED FOR PUBLICATION APRIL, 1985 © COPYRIGHT 19 86,87,88 BY AMP-HOLLAND B.V. ALL INTERNATIONAL RIGHTS RESERVED. AMP PRODUCTS MAY BE COVERED BY U.S. AND FOREIGN PATENTS AND/OR PATENTS PENDING.		
DR. D.CAMPSCROER	DATE 30/05/85	WIRE RANGE 3	NAME MAG-MATE	REV.DATE D M Y
CHK. W.ESSER	DATE	INSUL.RANGE	POKE-IN TERMINAL	160388
APP. L.VAN SOEST	DATE	SIZE A3	SHEET 1 OF 1	DWG. No. 160899 REV.LTR. A1

8 7 6 5 4 3 2 1