

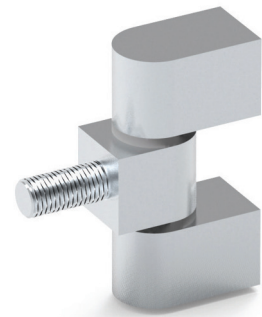
MATERIAL	M	FINISH	F
Brass	3	Chrome	1

192

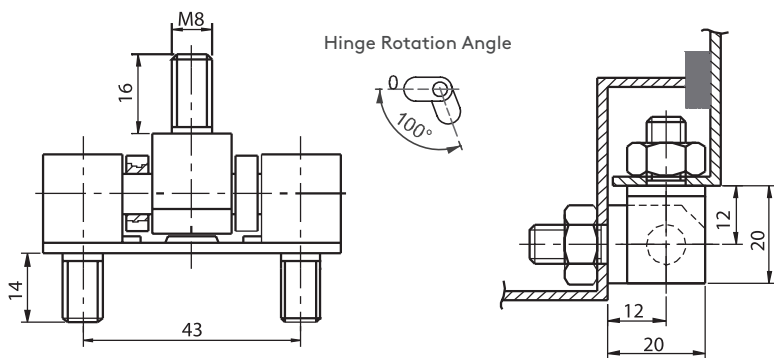
SIDE HINGE (12 mm)



LH/RH



- Side-mounted hinge
- Brass 12 mm parts and bearings
- Parts tightly fitted



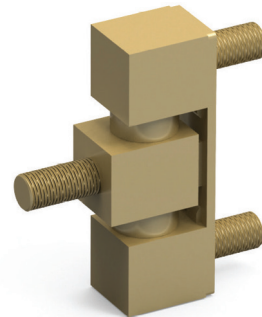
MATERIAL	M	FINISH	F
Brass	3	No finish	0
		Chrome	1

093

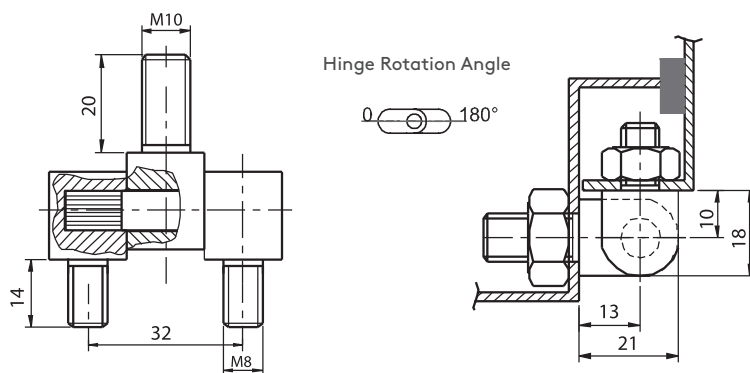
SIDE HINGE (16 mm)



LH/RH



- Side-mounted hinge
- Brass 16 mm parts and bearings
- Parts assembled by fixing plate



PRODUCT CODE

 - 3 - F

GROUP CODE MATERIAL FINISH

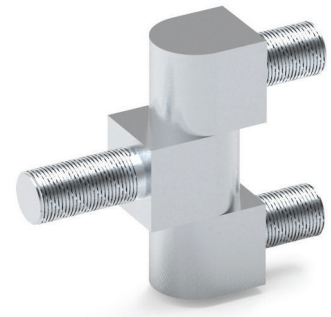
MATERIAL	M	FINISH	F
Brass	3	Chrome	1

193

SIDE HINGE (16 mm)



LH/RH



- Stainless steel version: page 477
- Side-mounted hinge
- Brass 16 mm parts
- Parts tightly fitted