

# LC823450XGEVK

## Low Power & High-Resolution Audio Processing System LSI Evaluation Board User's Manual



ON Semiconductor®

[www.onsemi.com](http://www.onsemi.com)

### EVAL BOARD USER'S MANUAL



#### Overview

LC823450XGEVK is an evaluation board for LC823450 Series (called LC823450 hereafter) which is a low power & high-resolution audio processing system LSI for portable sound solution. This user's manual describes the features, design, and operation of the evaluation board.

Intended audience is customers who are building audio application using LC823450.

#### Key Features

- File Transfer Connecting to PC with USB
- Music Playback with USB Bus Power Supply
- Sound Recording with USB Bus Power Supply
- Measurement of Current Consumption with Jumpers
- Measurement of Current Consumption Connecting to Smartphone on Bluetooth® (Coming soon)

#### Circuit Description

Figure 1 shows some main parts on the picture of LC823450XGEVK. The part painted in blue is LC823450, and the parts drawn on the figure are explained in this section. Figure 2 shows the block diagram describing simple connection between LC823450 and other parts in the evaluation board. There are power modules, I/O functions, audio functions, memories, Radio Frequency functions on the board.

#### LC823450:

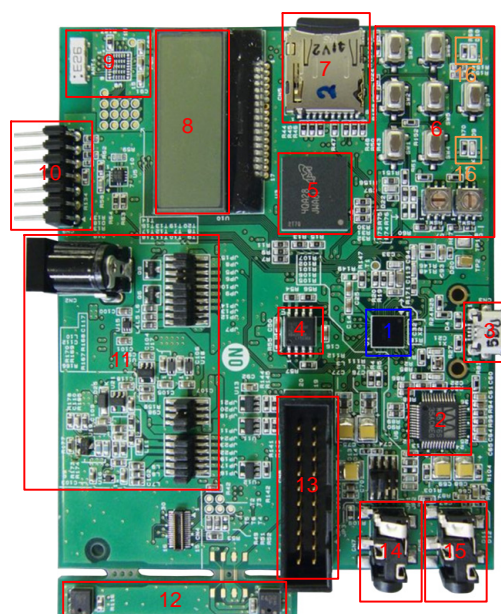
It is a low power & high-resolution audio processing system LSI which is a target to be evaluated, and it has Cortex®-M3 Dual cores, a LPDSP32, 1,656 kB internal SRAM for system, 256 kB ROM for Cortex-M3, 220 kB ROM for LPDSP32.

Then, it has MP3 hard-wired encoder and decoder, some DSP functions like WMA, AAC, etc made by LPDSP32, D-Class AMP for headphone, SD card I/F, USB2.0 Host and Device, timers, RTC, etc.

LC823450XGEVK implements a WLP package of LC823450 with 24 MHz Xtal.

#### Power Supply Control:

It has a power supply connector for a AC adapter and the voltage level is DC 5 V. There are regulators in Power Area on LC823450XGEVK, and all the power sources used in the evaluation board are made by the regulators based on the DC 5 V, and they are delivered to all the power terminals of all the parts in the evaluation board.



- |                 |                         |
|-----------------|-------------------------|
| 1 LC823450      | 9 Bluetooth®            |
| 2 Audio CODEC   | 10 UART Connector       |
| 3 USB Connector | 11 Power Supply Control |
| 4 Serial Flash  | 12 Digital Mic          |
| 5 eMMC          | 13 ICE Connector        |
| 6 Switches      | 14 Headphone            |
| 7 microSD™      | 15 Line Input           |
| 8 LCD           | 16 LEDs                 |

Figure 1. Evaluation Board Picture

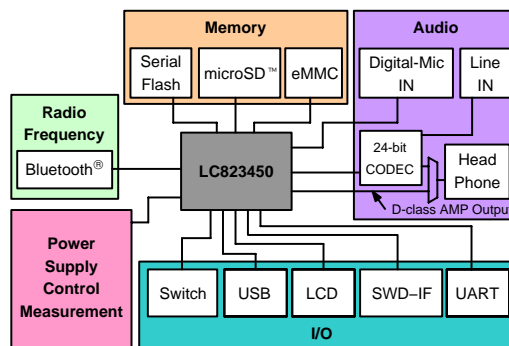


Figure 2. Block Diagram of LC823450XGEVK

## LC823450XGEVK

Power terminals of LC823450 are connected through each jumper post to the power sources, so you can measure the current consumption if you insert an ammeter to each jumper post of the power terminals.

### USB Connector:

It is a connector for USB, and it is used to connect the evaluation board to a PC. If LC823450 is used as USB device, you can work whole of LC823450XGEVK with USB bus power supply as well without the AC adapter connection.

### UART Connector:

It is a connector for UART, and it is used to connect to a PC or an external device. Also, it is used to debug firmware of LC823450 through terminal window on PC.

### ICE Connector:

It is a connector of ICE for Cortex-M3, which has 20 pins for Serial Wire Debug Port (SW-DP). LC823450 corresponds to only SW-DP interface implemented in Cortex-M3.

ON Semiconductor has successfully been using advice LUNA 2 which is an ICE and made by Yokogawa Digital Computer Corporation connecting to this connector.

In addition, there is no connector of ICE for LPDSP on the evaluation board, which is JTAG interface.

### Switches:

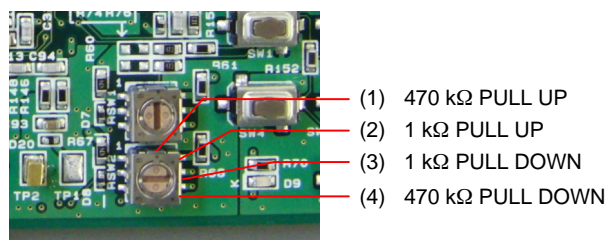
There are some switches on the evaluation board. SW1 is used to reset LC823450, and the switches of SW2–SW7 are used to operate audio control, for example, the volume control, playback control, mode control, etc.

Then, there are 2 rotary switches of RSW1 and RSW2 which are used to determine the boot mode of LC823450. RSW1 is connected to BMODE0 and RSW2 is connected to BMODE1.

User Area Boot USB mode is often used as the boot mode. This works to boot an Initial Program Loader 2 (IPL2) and application program in the eMMC on SD Card Interface ch0 if the IPL2 and application program have already been uploaded into the eMMC from PC connected with USB. In initial state, the IPL2 and application program to evaluate LC823450 made by ON Semiconductor with User Area Boot USB mode are installed in the eMMC by default. Therefore, you should set RSW1 and RSW2 to User Area Boot USB mode as shown in Table 1 and Figure 3.

**Table 1. USER AREA BOOT USB MODE SETTING**

| Mode               | RSW2 (BMODE1)       | RSW1 (BMODE0)                                  |
|--------------------|---------------------|--|
| User Area Boot USB | 1 k $\Omega$ PD (3) | 470 k $\Omega$ PU (1)<br>470 k $\Omega$ PD (4) |



**Figure 3. Rotary Switch**

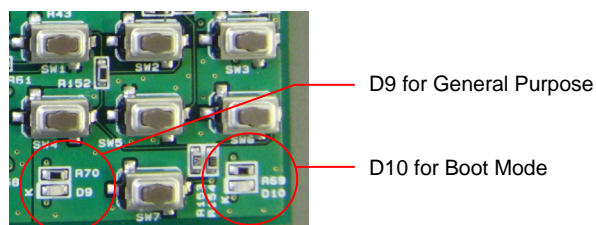
### LEDs:

There are 2 LEDs on the evaluation board as shown in Figure 4.

D9 is connected to GPIO00 for general purpose. D10 is connected to GPIO2F for boot mode. In initial state, the original IPL2 and application program made by ON Semiconductor is stored into the eMMC. However, if you want to upload a new IPL2 and application program into the eMMC with USB connection to change the original IPL2 and application program, D10 is used to inform you of the timing to connect or disconnect USB at uploading them or it is used to indicate contents of error at uploading them as shown in Table 2.

**Table 2. LED FOR BOOT MODE WITH USB CONNECTION**

| D10         | Message                  |
|-------------|--------------------------|
| Turning On  | Enable to Connect USB    |
| Turning Off | Enable to Disconnect USB |
| Blinking    | Error                    |



**Figure 4. LED D9 and D10**

### LCD:

It is a graphic LCD which is the size of vertical 48 dots  $\times$  horizontal 128 dots, and a character size is 8  $\times$  8 dots. The LCD can display black and white characters of row 6  $\times$  column 16, and it is connected to LC823450 with Serial Peripheral Interface.

### eMMC (ch0)/microSD (ch1):

They are used to store files of audio contents, for example, MP3, AAC, PCM, etc. File system is adapted to them, and you can see the files on PC if you connect USB.

# LC823450XGEVK

eMMC is connected to SD Card Interface ch0, and it is used to store the IPL2 and application program for Boot as well. microSD is connected to SD Card Interface ch1.

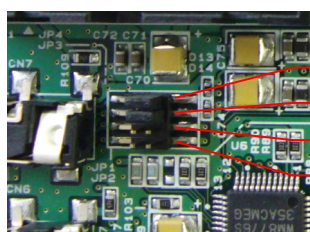
## Audio Codec:

It is a 24-bit 192 kHz stereo codec and it can deal with High Resolution Audio. It is connected to PCMIF0 on LC823450 and it is output to stereo head phone jack. Then, you can select either this audio codec output or D-AMP output of LC823450 as audio output by setting jumper post as shown in Table 3 and Figure 5. In initial state, D-AMP output is selected by default.

In addition, it corresponds to Line input as well on the evaluation board by option. If you use Line input, you can import audio contents into LC823450 by converting analog to digital in the Audio codec.

**Table 3. AUDIO OUTPUT SELECTION**

| Output          | JP1 | JP2 | JP3 | JP4 |
|-----------------|-----|-----|-----|-----|
| Audio Codec     | ON  | ON  | OFF | OFF |
| D-AMP (Default) | OFF | OFF | ON  | ON  |



**Figure 5. Jumper Post JP1, JP2, JP3 and JP4**

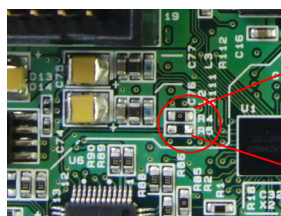
## Digital MIC:

It is a general MEMS mic, and it is implemented in the small board separated outside to prevent noises from the main board.

Then, the signal between data of Digital mic input and data of Audio codec for Line input is common in the evaluation board, so you can use either Digital mic input or Line input by setting 0 Ω resistor as shown in Table 4 and Figure 6. Digital mic is available by default and then you can use Line input function if you change the 0 Ω resistor of R4 to R5.

**Table 4. FUNCTION SECTION**

| Function                    | R4   | R5   |
|-----------------------------|------|------|
| Digital Mic Input (Default) | 0 Ω  | Open |
| Line Input                  | Open | 0 Ω  |

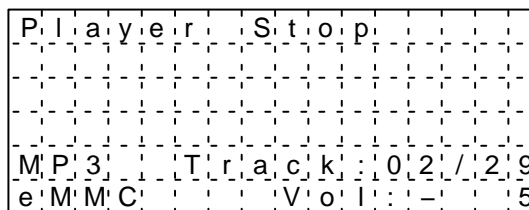


**Figure 6. 0 Ω Resistor R4 and R5**

## File Transfer Connecting to PC

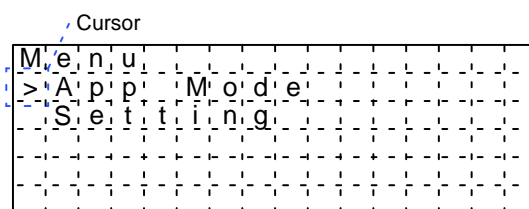
In order to supply the power for LC823450XGEVK, you should connect it to your PC with a USB cable without AC adapter.

1. When you connect the evaluation board to your PC with USB, the power will be supplied to the evaluation board, and LC823450 will start to boot up and display the characters of “Player Stop” on LCD shown in Figure 7. This Music Player mode will start as initial state to play back music after power on.



**Figure 7. Display at Power ON**

2. At this time, you should push SW3 for long time, the display of LCD will soon change from Figure 7 to Figure 8. Figure 8 is the menu display to set configuration for LC823450XGEVK.

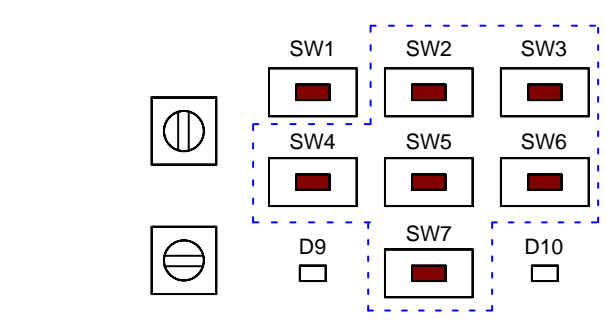


**Figure 8. Display at Menu**

Figure 9 shows key allocation at Menu. There are App Mode for application menu and Setting for setting menu in Menu, and there are USB MSC mode, Music Player mode, Rec Player mode, etc. in application menu. On the other hand, you can select some conditions for audio in setting menu. For example,

# LC823450XGEVK

sampling rate option (44.1 kHz/48 kHz) and storage drive option (eMMC/uSD) is there. Sampling rate is set to 44.1 kHz and storage drive is set to eMMC in default.

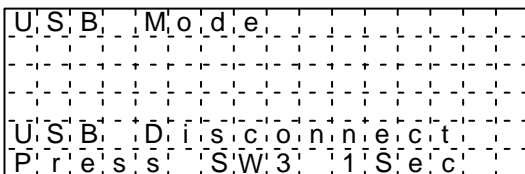


- Menu
- App Mode
  - USB MSC      USB Mass Storage Mode for PC
  - Music Player    Music Player Mode
  - Rec Player      Record Player Mode
  - Setting

- SW2/SW7: Cursor Up/Down
- SW5 or SW6: Execution of Menu
- SW4 (Short): Cancel (Return to Previous Screen)
- SW3 (Long): Return Back to Previous Application Mode

**Figure 9. Key Allocation at Menu**

3. You should push SW5 or SW6 in order to select App Mode in Menu moving the cursor by SW2 or SW7, and select USB MSC mode as well. According to this operation for USB Mass Storage Class, the display of LCD will soon change from Figure 8 to Figure 10 and USB connection will start.



**Figure 10. Display at USB Connection**

4. eMMC on the board will be recognized as a drive by PC, and you can see the root window of the eMMC drive on PC. Music files to be played back need to be put into “music” folder, and they can have each audio codec formats, MP3, WAV, WMA or AAC. If eMMC is empty, you can drag and drop the “music” folder with music files to transfer them into the root window of eMMC drive. If “music” folder already exists in eMMC, you should transfer only music files into “music” folder.

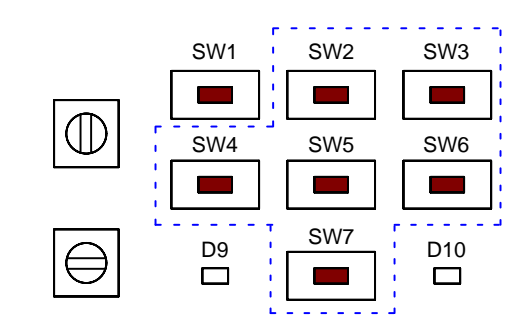
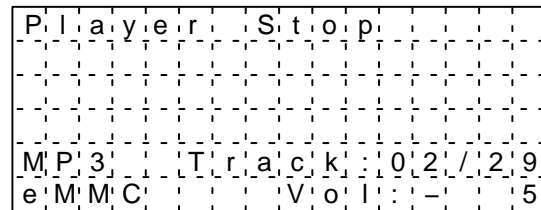
If you want to jump to Music Player mode, you can push SW3 for long time and you will jump back to Player Stop display where it is initial state because

SW3 for long time in USB MSC mode means returning back to previous application mode. In this case, eMMC is released from USB Mass Storage Class and the window of eMMC on your PC will be disappeared because USB is disconnected so as to play back the music files.

## Music Playback

When you jump to Music Player mode by power on or by selecting in App Mode or by getting away from USB MSC mode if the previous application mode is Music Player mode, the display will change to Figure 11 for playback. Figure 11 is the same display as Figure 7 after power on.

You can start to play back music if you push SW5.



- SW2/SW7: Volume Up/Down
- SW4 (Short): Skip One Song Backward
- SW6 (Short): Skip One Song Forward
- SW5 (Short): Play
- SW3 (Short): Ambient
- SW3 (Long): Menu

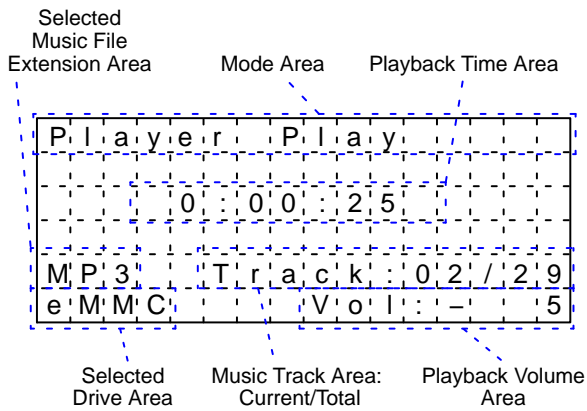
**Figure 11. Display and Key Allocation at Playback Stop**

Figure 12 shows display during playback. LC823450XGEVK can display operating mode, playback time, music track information, music file extension (MP3, WAV, WMA or AAC), drive (eMMC or uSD) and volume. Music track area shows track information regarding music files stored in “music” folder. When you start playback, the music player function will start to load a music file in “music” folder from eMMC, and it will decode the music file until stop of the file. Also, mode area will be changed from “Player Stop” to “Player Play” and playback time will be counted up.

LC823450XGEVK can play back music for MP3, WAV, WMA or AAC by DSP decoder in LC823450.

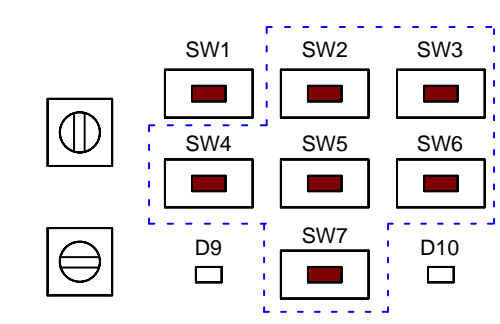


# LC823450XGEVK



**Figure 12. Display during Playback**

Figure 13 shows key allocation during playback. SW2 is for volume up and SW7 is for volume down. The volume range is -128 dB up to 42 dB. SW4 is assigned to two functions, and one is to skip one song backward when pushing it for short time, the other is to rewind with a song played back when pushing it for long time. SW6 is also assigned to two functions, and one is to skip one song forward when pushing it for short time, the other is to fast-forward with a song played back when pushing it for long time. SW5 is also assigned to two functions too, and one is for pause when pushing it for short time, the other is for stop when pushing it for long time. SW3 is for ambient, and this function picks up sound from the microphone on the board and mixes it with playback sound. SW3 switches on/off as a toggle button.



- SW2/SW7: Volume Up/Down
- SW4 (Short): Skip One Song Backward
- SW4 (Long): Rewind
- SW6 (Short): Skip One Song Forward
- SW6 (Long): Fast-forward
- SW5 (Short): Pause
- SW5 (Long): Stop
- SW3 (Short): Ambient

**Figure 13. Key Allocation during Playback**

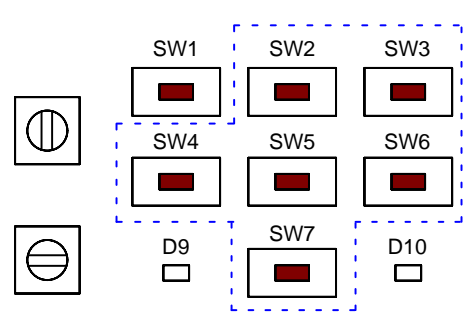
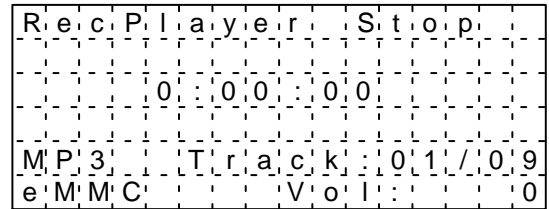
## Sound Recording

When you jump to Rec Player mode by selecting in App Mode or by getting away from USB MSC mode if the previous application mode is Rec Player mode, LC823450XGEVK will

automatically make “record” folder in the root of eMMC to prepare to record sound files, and the display will change to Figure 14 for recording.

Input for recording is only Digital Mic on LC823450XGEVK, and sound files to be recorded is only MP3 format / 320 kbps / Stereo with sampling rate set to 44.1 kHz or 48 kHz by setting menu.

Then, LC823450XGEVK can record sound files up to 99 files in “record” folder. If the folder is full, you need to delete or move some of the files in the folder to record new sound files.

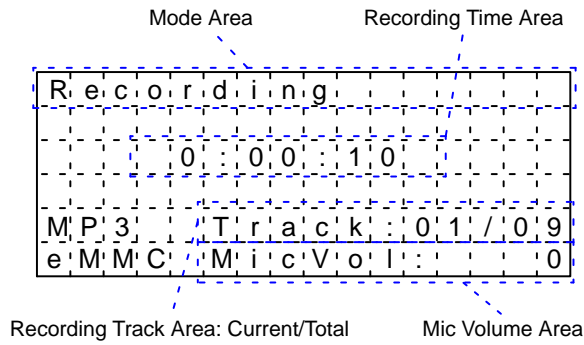


- SW2/SW7: Volume Up/Down
- SW4 (Short): Skip One Sound Backward
- SW6 (Short): Skip One Sound Forward
- SW5 (Short): Play
- SW3 (Short): Record
- SW3 (Long): Menu

**Figure 14. Display and Key Allocation at Recording Stop**

At this time, if you push SW3, you can start to record sound and the display will change to Figure 15. Recording track area shows track information regarding sound files stored in “record” folder. When you start recording, the recorder function will start to encode sound data input from Digital Mic to MP3 data by hard-wired MP3 encoder in LC823450, and it will be stored into “record” folder in eMMC as a MP3 sound file until the stop of the recording. Also, recording time will be counted up. The sound data input from Digital Mic is played back so as to monitor using headphone at the same time of recording. The monitoring function is available to adjust recording volume level by pushing SW2 or SW7 hearing the real sound to be recorded, and the volume level for recording is displayed in Mic volume area and its range is -128 dB up to 42 dB.

# LC823450XGEVK

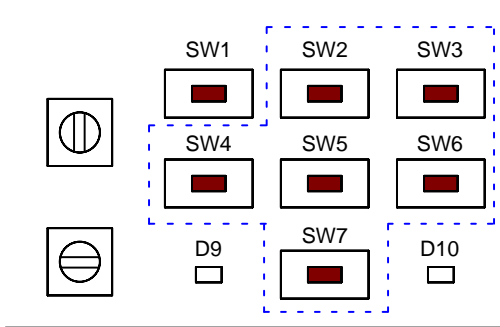


**Figure 15. Display during Recording**

Figure 16 shows key allocation during recording. If you push SW5 for short time during recording, you can pause the recording, if you push SW5 for short time again, the recording will restart.

In addition, if you push SW5 for long time during recording, you can stop the recording and the display will be Figure 14 again which means recording stop. Once stopping recording, the recording process completes and a sound file is generated into “record” folder. Then, Recording track area in the display is also updated.

By the way, in order to see sound files recorded, you need to jump back to menu by pushing SW3 for long time and to enter USB MSC mode. Then, you can see the sound files in “record” folder in eMMC by using PC.



SW2/SW7: Mic Volume Up/Down  
 SW5 (Short): Pause  
 SW5 (Long): Stop

**Figure 16. Key Allocation during Recording**

When you want to play back sound files recorded, you should push SW5 at recording stop in Figure 14 after selecting a target sound file by operating SW4 or SW6 to skip sound files, then you can play back the target sound file in “record” folder.

## Measurement of Current Consumption with Jumpers

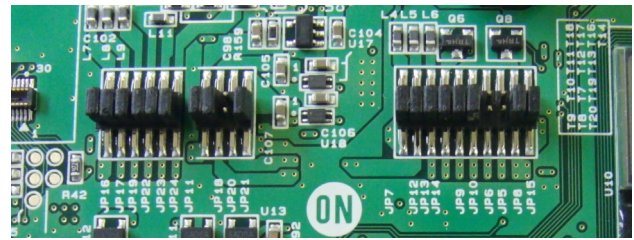
Power terminals of LC823450 are connected through each jumper post to the power sources, so you can measure the current consumption if you insert an ammeter to each jumper post of the power terminals.

Table 5 and Figure 17 shows the relation of power terminal, voltage level and jumper post.

**Table 5. MEASUREMENT POINTS OF CURRENT CONSUMPTION**


| Terminal Name | Voltage (V) | Jumper |
|---------------|-------------|--------|
| Vdd1          | 1.0*        | JP22   |
| AVddUSBPHY1   | 1.0*        | JP23   |
| VddRTC        | 1.0         | JP24   |
| VddXT1        | 1.1         | JP16   |
| AVddPLL1      | 1.1         | JP17   |
| AVddPLL2      | 1.1         | JP19   |
| AVddDAMPL     | 1.5         | JP21   |
| AVddDAMPR     | 1.5         | JP21   |
| Vdd2          | 3.3         | JP8    |
| VddSD0        | 1.8         | JP18   |
| VddSD1        | 3.3*        | JP11   |
| VddSD2        | 3.3         | JP9    |
| VddQSPI       | 3.3         | JP10   |
| AVddADC       | 3.3         | JP12   |
| AVddUSBPHY2   | 3.3         | JP13   |

\*Default settings.



**Figure 17. Jumper Post of Power Terminals**

ARM, the ARM logo, and Cortex are registered trademarks of ARM Limited (or its subsidiaries) in the EU and/or elsewhere. Bluetooth is a registered trademark of Bluetooth SIG. microSD is a trademark of SD-3C, LLC in the United States, other countries or both. All other brand names and product names appearing in this document are registered trademarks or trademarks of their respective holders.

ON Semiconductor and  are trademarks of Semiconductor Components Industries, LLC dba ON Semiconductor or its subsidiaries in the United States and/or other countries. ON Semiconductor owns the rights to a number of patents, trademarks, copyrights, trade secrets, and other intellectual property. A listing of ON Semiconductor's product/patent coverage may be accessed at [www.onsemi.com/site/pdf/Patent-Marking.pdf](http://www.onsemi.com/site/pdf/Patent-Marking.pdf). ON Semiconductor reserves the right to make changes without further notice to any products herein. ON Semiconductor makes no warranty, representation or guarantee regarding the suitability of its products for any particular purpose, nor does ON Semiconductor assume any liability arising out of the application or use of any product or circuit, and specifically disclaims any and all liability, including without limitation special, consequential or incidental damages. Buyer is responsible for its products and applications using ON Semiconductor products, including compliance with all laws, regulations and safety requirements or standards, regardless of any support or applications information provided by ON Semiconductor. "Typical" parameters which may be provided in ON Semiconductor data sheets and/or specifications can and do vary in different applications and actual performance may vary over time. All operating parameters, including "Typicals" must be validated for each customer application by customer's technical experts. ON Semiconductor does not convey any license under its patent rights nor the rights of others. ON Semiconductor products are not designed, intended, or authorized for use as a critical component in life support systems or any FDA Class 3 medical devices or medical devices with a same or similar classification in a foreign jurisdiction or any devices intended for implantation in the human body. Should Buyer purchase or use ON Semiconductor products for any such unintended or unauthorized application, Buyer shall indemnify and hold ON Semiconductor and its officers, employees, subsidiaries, affiliates, and distributors harmless against all claims, costs, damages, and expenses, and reasonable attorney fees arising out of, directly or indirectly, any claim of personal injury or death associated with such unintended or unauthorized use, even if such claim alleges that ON Semiconductor was negligent regarding the design or manufacture of the part. ON Semiconductor is an Equal Opportunity/Affirmative Action Employer. This literature is subject to all applicable copyright laws and is not for resale in any manner.

## PUBLICATION ORDERING INFORMATION

### LITERATURE FULFILLMENT:

Literature Distribution Center for ON Semiconductor  
19521 E. 32nd Pkwy, Aurora, Colorado 80011 USA  
**Phone:** 303-675-2175 or 800-344-3860 Toll Free USA/Canada  
**Fax:** 303-675-2176 or 800-344-3867 Toll Free USA/Canada  
**Email:** [orderlit@onsemi.com](mailto:orderlit@onsemi.com)

**N. American Technical Support:** 800-282-9855 Toll Free  
USA/Canada  
**Europe, Middle East and Africa Technical Support:**  
Phone: 421 33 790 2910  
**Japan Customer Focus Center**  
Phone: 81-3-5817-1050

**ON Semiconductor Website:** [www.onsemi.com](http://www.onsemi.com)  
**Order Literature:** <http://www.onsemi.com/orderlit>  
For additional information, please contact your local  
Sales Representative