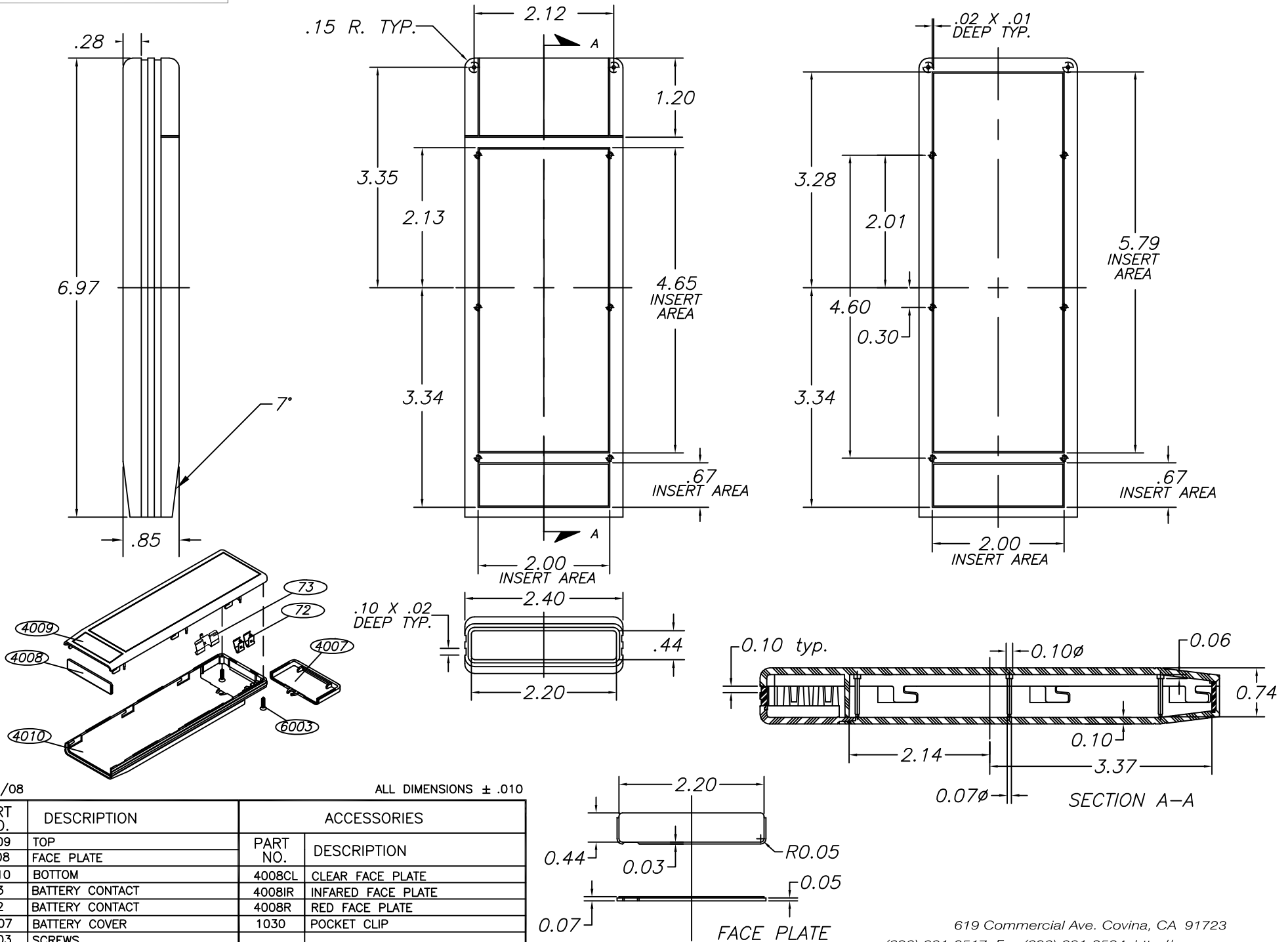


SERPAC M-8

Electronics Enclosures

NOTES:

1. WHEN MACHINE OR I PLATES MODIFICATIONS ARE REQUIRED, USE THE CENTER OF THE ENCLOSURE TO DIMENSION.



12/02/08

ALL DIMENSIONS ± .010

PART NO.	DESCRIPTION	ACCESSORIES	
		PART NO.	DESCRIPTION
4009	TOP		
4008	FACE PLATE		
4010	BOTTOM	4008CL	CLEAR FACE PLATE
73	BATTERY CONTACT	4008IR	INFARED FACE PLATE
72	BATTERY CONTACT	4008R	RED FACE PLATE
4007	BATTERY COVER	1030	POCKET CLIP
6003	SCREWS		