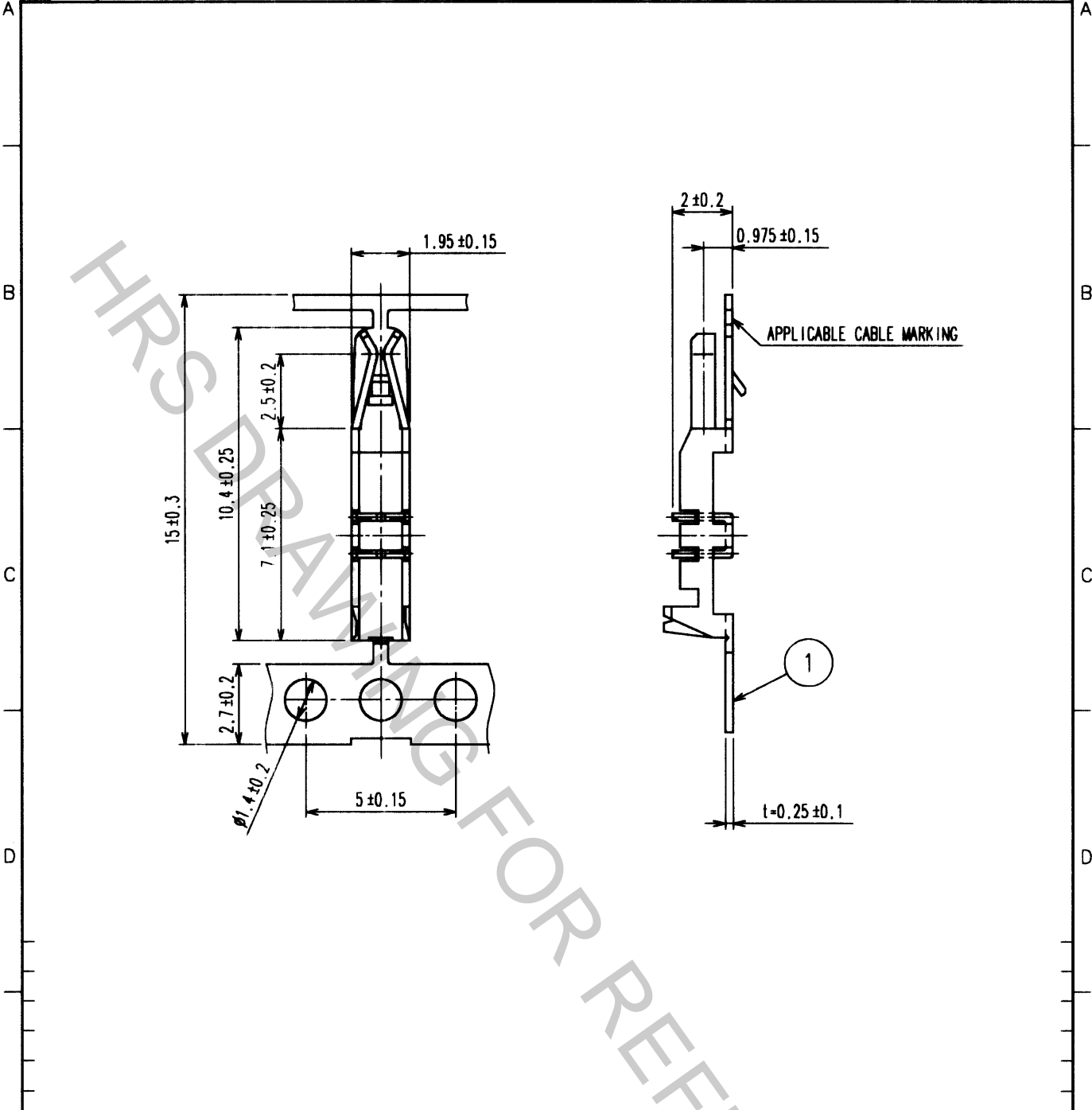


1			2			3			4					
COUNT	DESCRIPTION OF REVISIONS	BY	CHKD	DATE	COUNT	DESCRIPTION OF REVISIONS	BY	CHKD	DATE	COUNT	DESCRIPTION OF REVISIONS	BY	CHKD	DATE
△					△					△				
△					△					△				
△					△					△				



NOTE 1. APPLICABLE CABLE : AWG24
 2. 1 REEL:10000 CONNECTORS.

	1	PHOSPHOR BRONZE	TIN PLATED
NO.	MATERIAL	FINISH, REMARKS	

CODE NO. (OLD)	DRAWN	DESIGNED	CHECKED	APPROVED	RELEASED
	W. Fukuchi '00.4.12	W. Fukuchi '00.4.12	J. Miyazaki '00.4.12	K. Katayama '00.4.13	

 SACLE 5 : 1 UNITS mm	DRAWING NO. EDC4-020205	PART NO. DF1B-R24F
HRS HIROSE ELECTRIC CO., LTD.	CODE NO. CL541-0217-9	1/1

TO