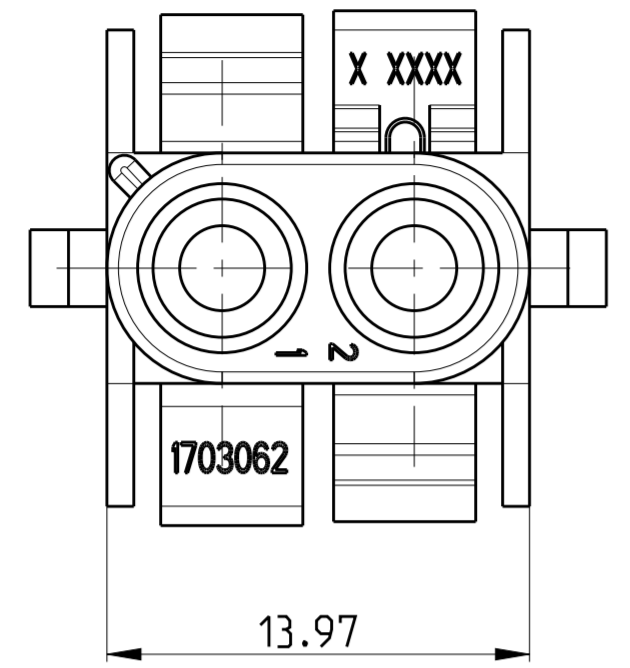


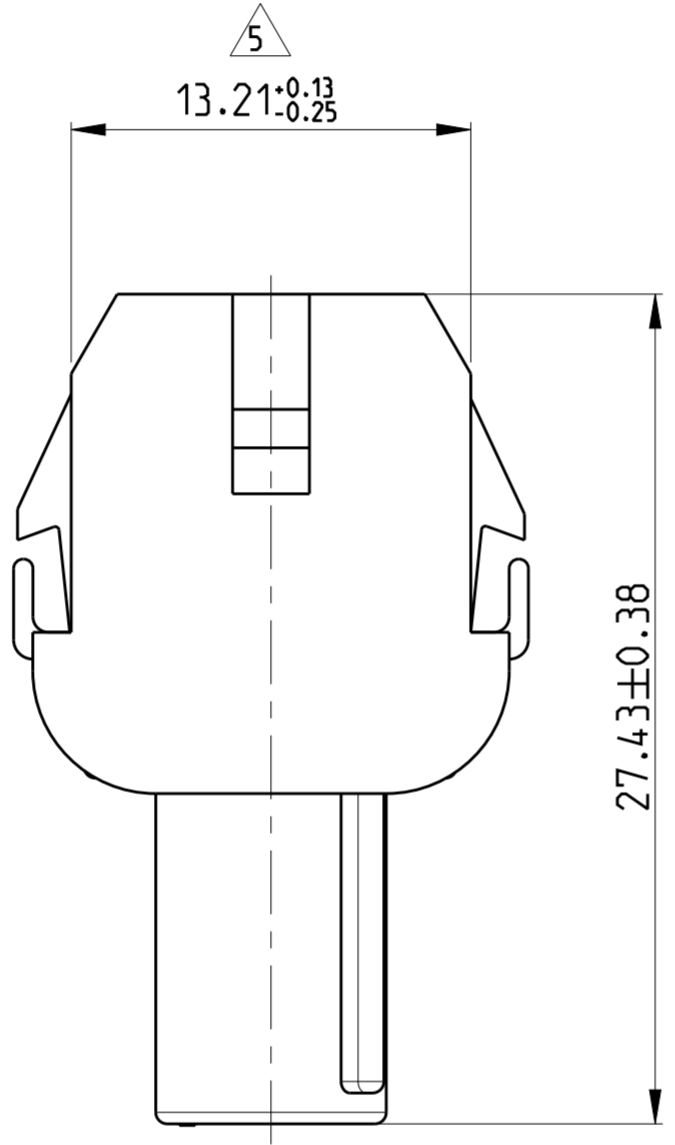
THIS DRAWING IS UNPUBLISHED. RELEASED FOR PUBLICATION 2003
 © COPYRIGHT 2003 BY - ALL RIGHTS RESERVED.

LOC	DIST	REVISIONS			
P	LTR	DESCRIPTION	DATE	DWN	APVD
A1	2	B4	REVISED PER ECR-16-000052	08JAN2016	BW EW



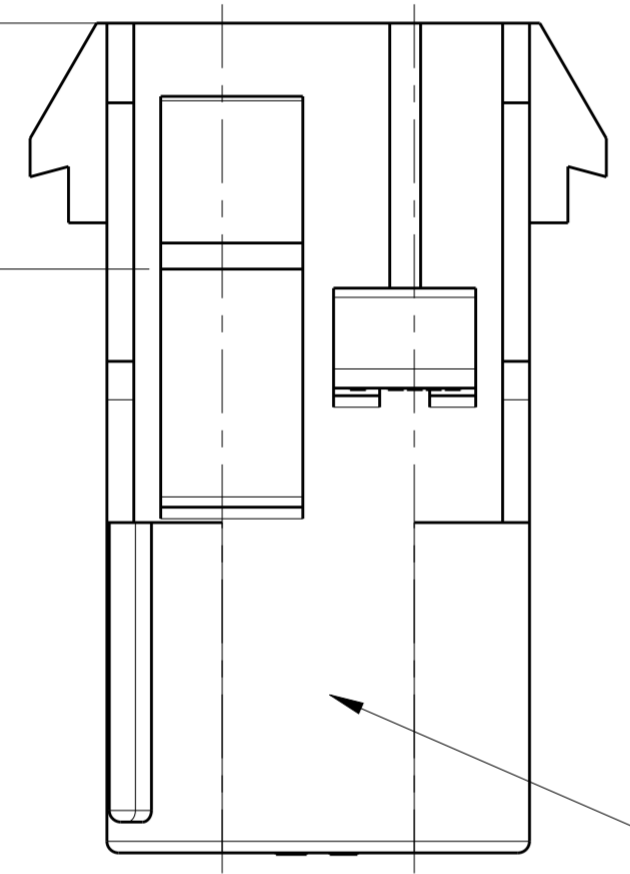
8.13±0.25

5



5

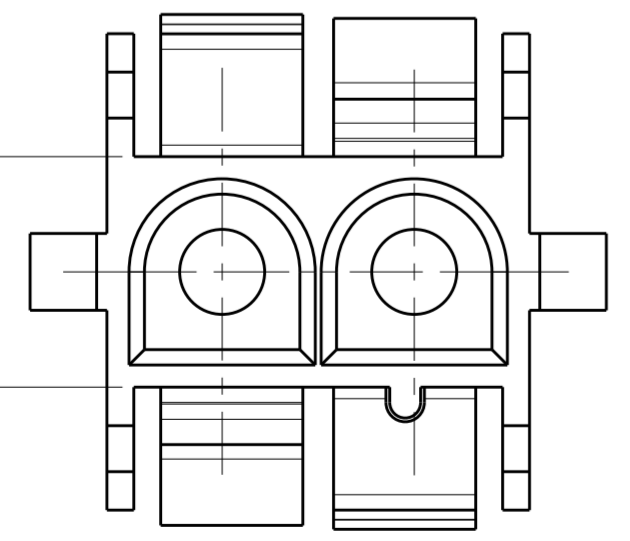
27.43±0.38



6

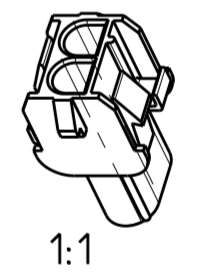
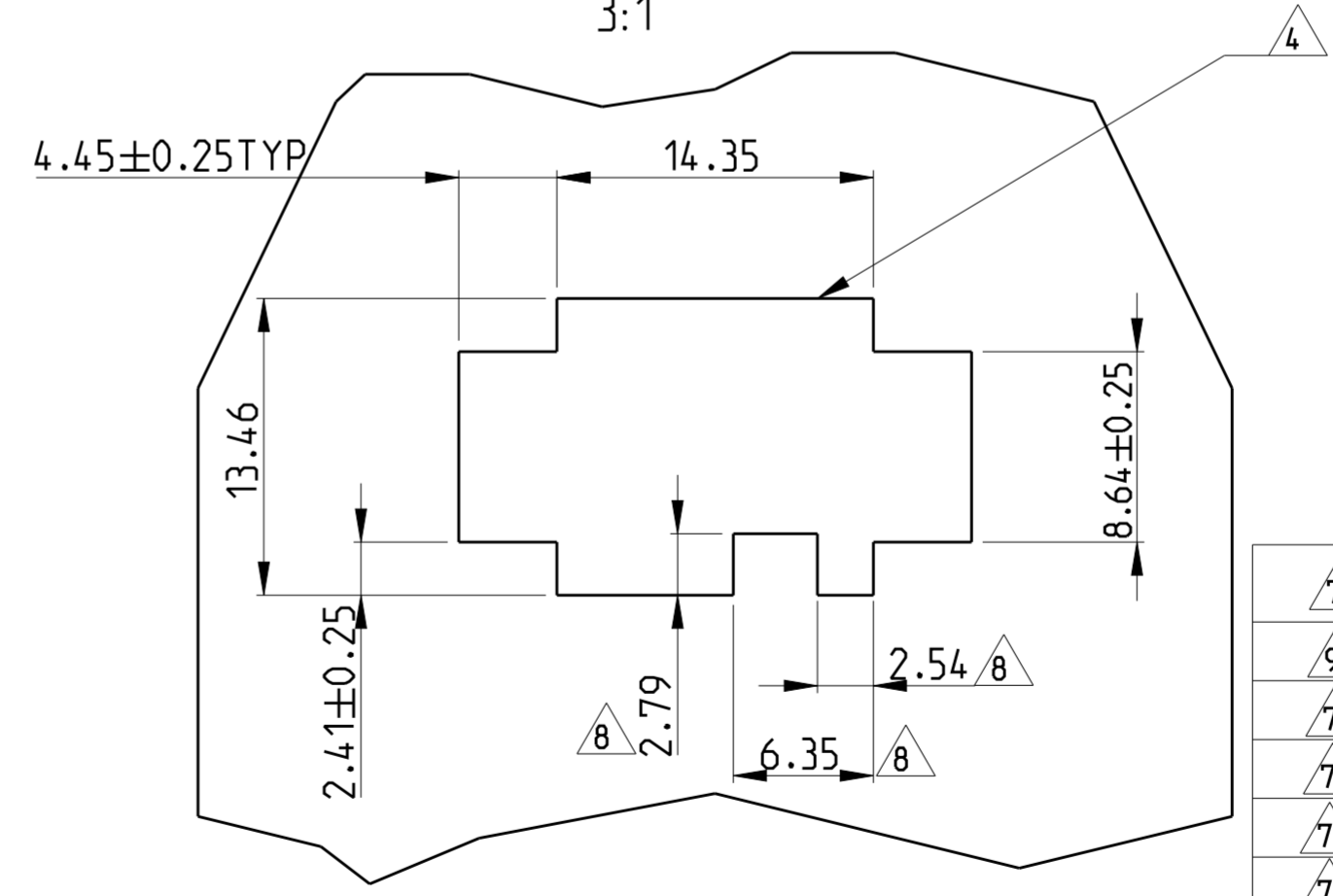
5

7.62



- 1 MATES WITH APPROPRIATE UNIVERSAL MATE-N-LOK PLUG
- 2 RECOMMENDED PANEL THICKNESS 0.76 - 2.29 mm
- 3 PANEL MUST BE PUNCHED SO THAT THE HOUSING ENTERS THE PANEL IN THE SAME DIRECTION AS THE PUNCH
- 4 △ CIRCUIT NUMBER 1 LOCATION
- 5 △ DIMENSION INDICATED AS MOLDED. ADDITIONAL GROWTH DUE TO SUBSEQUENT MOISTURE ABSORPTION MAY OCCUR
- 6 △ UNDERWRITERS RECOGNIZED COMPONENT LOGO AND CSA CERTIFICATION LOGO TO BE LOCATED ONCE EACH ON SIDE OF HOUSING
- 7 △ MATERIAL CORRESPONDING TO THE REQUIREMENTS OF IEC 60335 (INCL. GLOW WIRE TEST 750°C, WITHOUT FLAME)
- 8 △ OPTIONAL FOR KEYING HOUSING IN PANEL
- 9 △ PRELIMINARY PART NOT RELEASED FOR PRODUCTION

RECOMMENDED PANEL CUT OUT
3:1



REMARK	PN	REV	MATERIAL	COLOUR
7	1-1703062-2	A	PA66 UL94 V0 (GW T 750 °C)	NATURAL
9	1-1703062-1	1	PA6 UL94 V0	NATURAL
7	1703062-4	A	PA6 UL94 V2 GW T 750 °C	BLACK
7	1703062-3	A	PA6 UL94 V2 GW T 750 °C	RED
7	1703062-2	A	PA6 UL94 V2 GW T 750 °C	BLUE
7	1703062-1	A	PA6 UL94 V2 GW T 750 °C	NATURAL

THIS DRAWING IS A CONTROLLED DOCUMENT.

DWN MAHNKE, B. 16APR2004
 CHK ZITZ, A. 26APR2004
 APVD BLEICHER, M. 27APR2004

STE TE Connectivity

NAME CAP 2 CIRCUIT UNIVERSAL MATE-N-LOK

SIZE CAGE CODE DRAWING NO RESTRICTED TO
 A2 00779 C-1703062 -

MATERIAL PA 6 WEIGHT 2.55 g SCALE 4:1 SHEET 1 OF 1 REV B4

CUSTOMER DRAWING