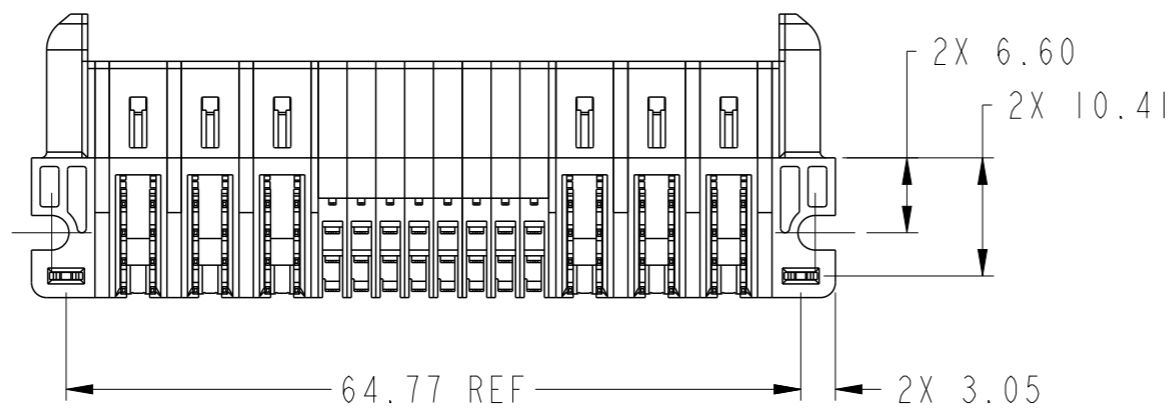
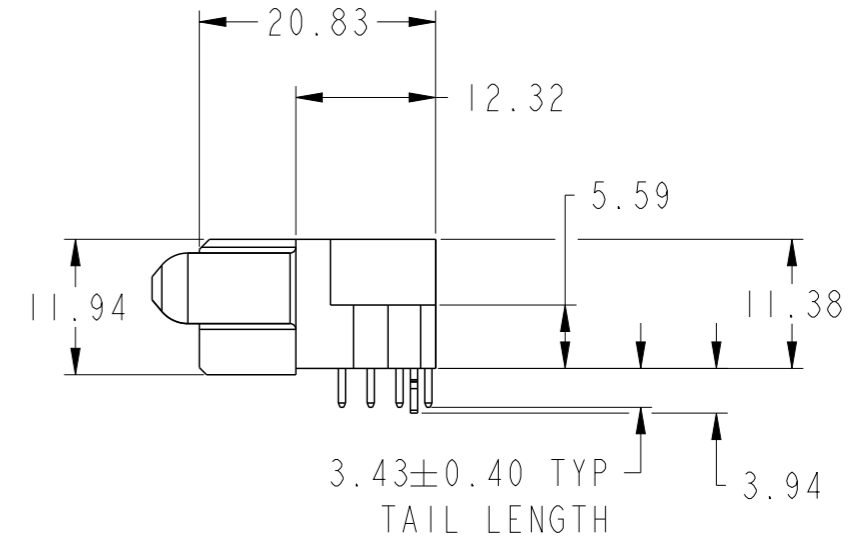
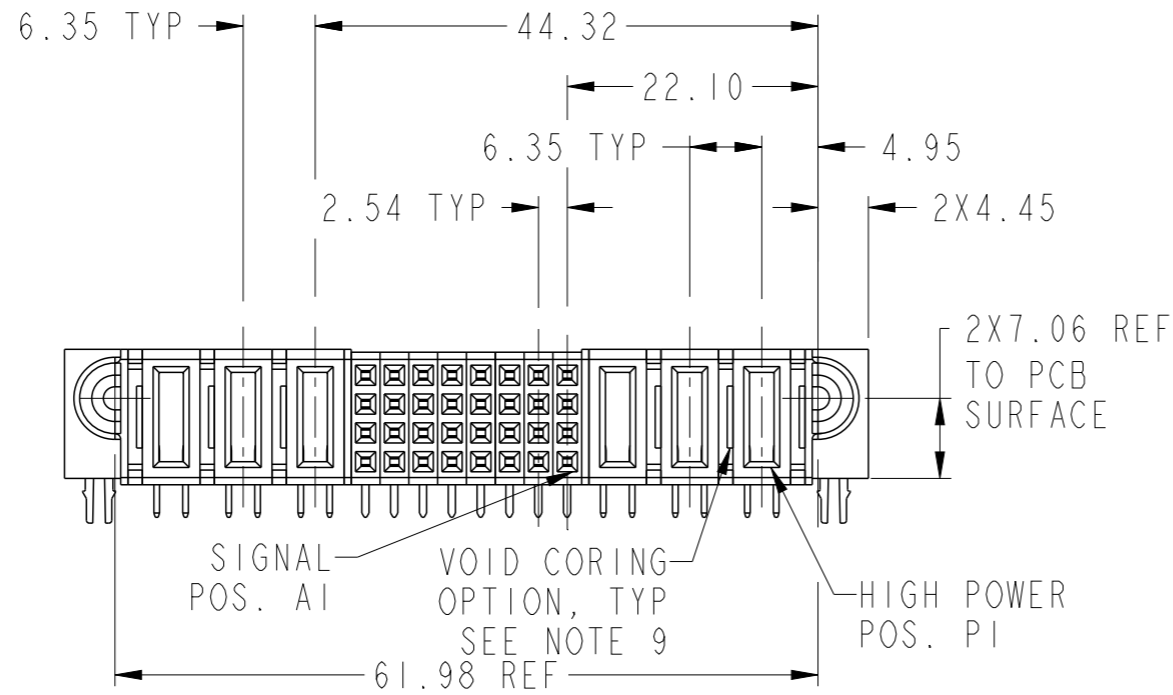
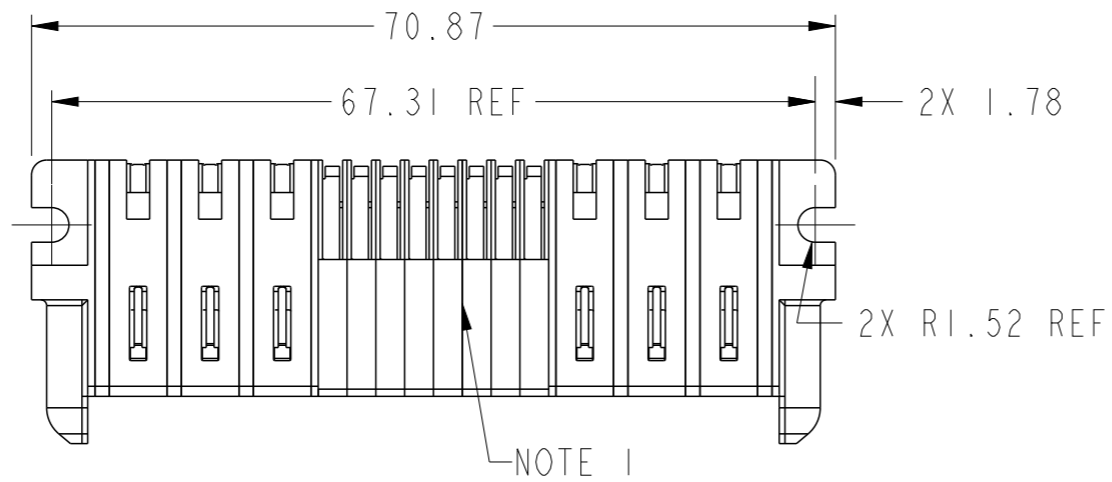


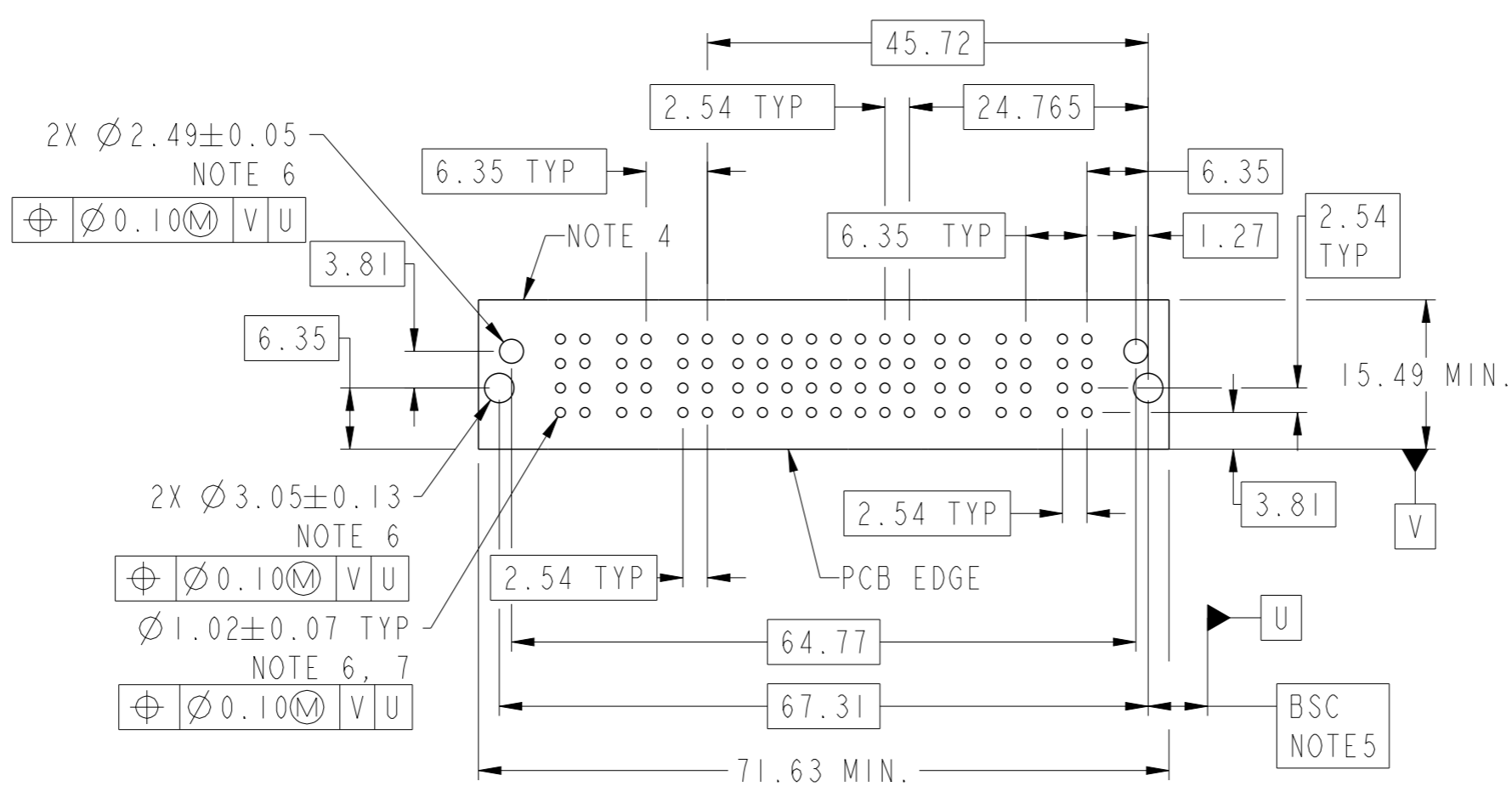
PRODUCT NUMBER SEE SHEET 2



spec ref	*	dr	Xie Bob	2013/06/17	projection	MM	size	A3	scale	3:2											
tolerance std	ASME Y14.5	eng	Xie Bob	2013/06/25			ecn no		-												
TOLERANCES UNLESS OTHERWISE SPECIFIED		chr	Li-He	2013/06/24			rel level		Released												
surface	<table border="1"> <tr> <td>linear</td> <td>0.X</td> <td>±0.5</td> </tr> <tr> <td></td> <td>0.XX</td> <td>±0.25</td> </tr> <tr> <td></td> <td>0.XXX</td> <td>±0.10</td> </tr> <tr> <td>angular</td> <td>0°</td> <td>±2°</td> </tr> </table>	linear	0.X	±0.5		0.XX	±0.25		0.XXX	±0.10	angular	0°	±2°	appr	Pei-Ming Zheng	2013/06/25	product family	PwrBlade+	rev		A
linear	0.X	±0.5																			
	0.XX	±0.25																			
	0.XXX	±0.10																			
angular	0°	±2°																			
					3HP + 32S + 3HP RA STB RECEPTACLE		dwg no 10106126-6008001		sheet 1 of 3												
ASME Y14.5		www.fci.com			cat. no.		Product - Customer Drw		sheet 1 of 3												

PRODUCT NO.	ROWS	HP			SIGNAL								HP			E2			
		E1	P6	P5	P4	8	7	6	5	4	3	2	1	P3	P2		P1		
10106126-6008001LF	D C B A				H	H	H	H	H	H	H	H	H	H	H				

CODE	DESCRIPTION
E	STD SIGNAL CONTACT, ROW A
F	STD SIGNAL CONTACT, ROW B
G	STD SIGNAL CONTACT, ROW C
H	STD SIGNAL CONTACT, ROW D
H3	STD HIGH POWER CONTACT(3.43)
HA	METAL HOLD DOWN



dr	Xie Bob	2013/06/17	projection	MM	size	A3	scale	3:2
eng	Xie Bob	2013/06/25		←→	ecn no	-		
chr	Li-He	2013/06/24			product family	PwrBlade+	rel level	Released
appr	Pei-Ming Zheng	2013/06/25	www.fci.com		cat. no.	Product - Customer Drw		sheet 2 of 3
		3HP + 32S + 3HP			dwg no	10106126-6008001		rev
		RA STB RECEPTACLE					A	

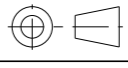
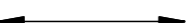

Copyright FCI.

NOTES:

- 1) "FCI", PART NUMBER AND DATE CODE TO BE MARKED ON THIS SURFACE.  
THE MARK CAN BE OMITTED IF THERE IS NOT ENOUGH SPACE ON THIS SURFACE.
- 2) MATERIALS:  
-HOUSING - GLASS FILLED WITH HIGH TEMP THERMOPLASTIC, UL94V-0.  
-SIGNAL CONTACT - COPPER ALLOY.  
-POWER CONTACT - HIGH CONDUCTIVITY COPPER ALLOY.
- 3) PLATING SPECIFICATION REFER TO FCI 10116351
- 4) DENOTES CONNECTOR KEEP OUT ZONE.
- 5) DATUM AND BASIC DIMENIONS WERE ESTABLISHED BY CUSTOMER.
- 6) ALL HOLE DIAMETERS ARE FINISHED HOLE SIZES.
- 7)  $1.15 \pm 0.025$ MM DRILLED HOLE PLATED WITH 0.00762MM MIN Sn  
OVER 0.0254-0.0762MM Cu PLATING TO ACHIEVE A  $1.02 \pm 0.07$ MM HOLE.
- 8) PRODUCT SPECIFICATION REFER TO FCI GS-12-658.  
APPLICATION SPECIFICATION REFER TO FCI GS-20-141.  
PRODUCT PACKAGED IN TRAYS, REFER TO FCI GS-14-1502.
- 9) THE VOID CORING IN BETWEEN POWER MODULES, SIGNAL  
MODULES AND END MODULES ARE OPTIONAL AND THE SHAPE  
MAY BE DIFFERENT FOR OPTIMIZE THE MOLDING PROCESS. THE  
VOID CORING WILL NOT EFFECT TO PRODUCT FUNCTION.



Copyright FCI.

dr	Xie Bob	2013/06/17	projection 	MM 	size	A3	scale	3:2
eng	Xie Bob	2013/06/25			ecn no	-		
chr	Li-He	2013/06/24			rel level	Released		
appr	Pei-Ming Zheng	2013/06/25			product family	PwrBlade+		
		title 3HP + 32S + 3HP RA STB RECEPTACLE		dwg no 10106126-6008001	rev A			
<a href="http://www.fci.com">www.fci.com</a>		cat. no.	Product - Customer Drw		sheet 3 of 3			