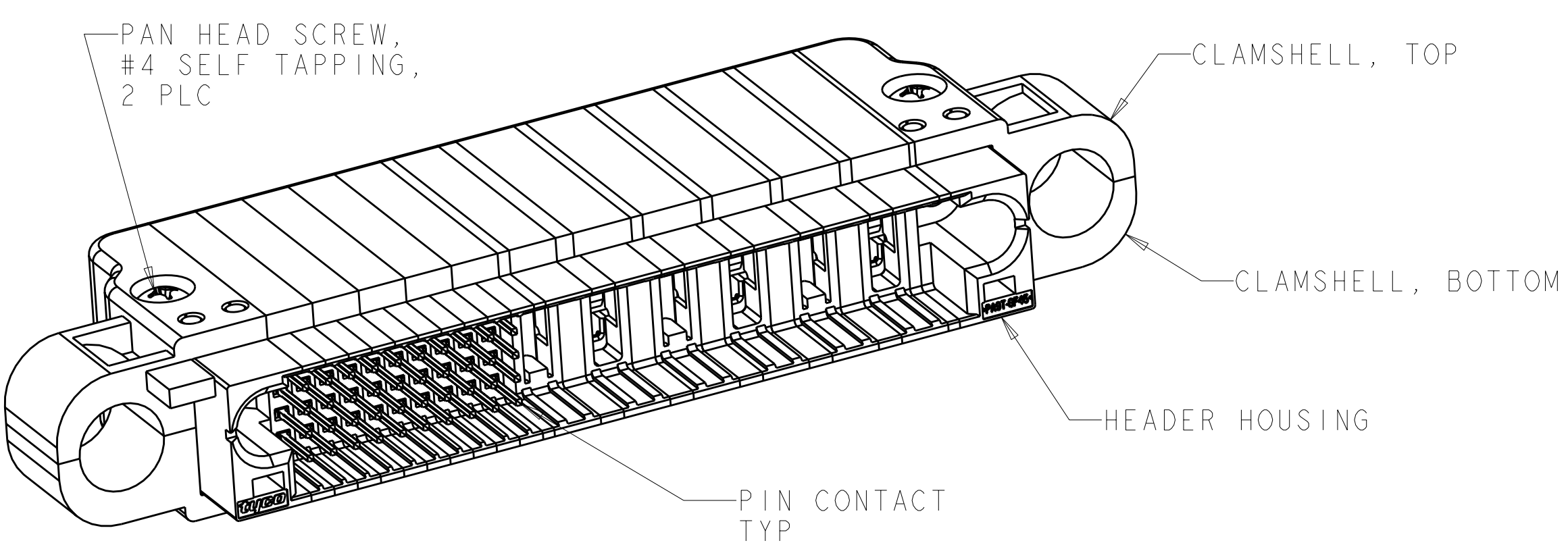
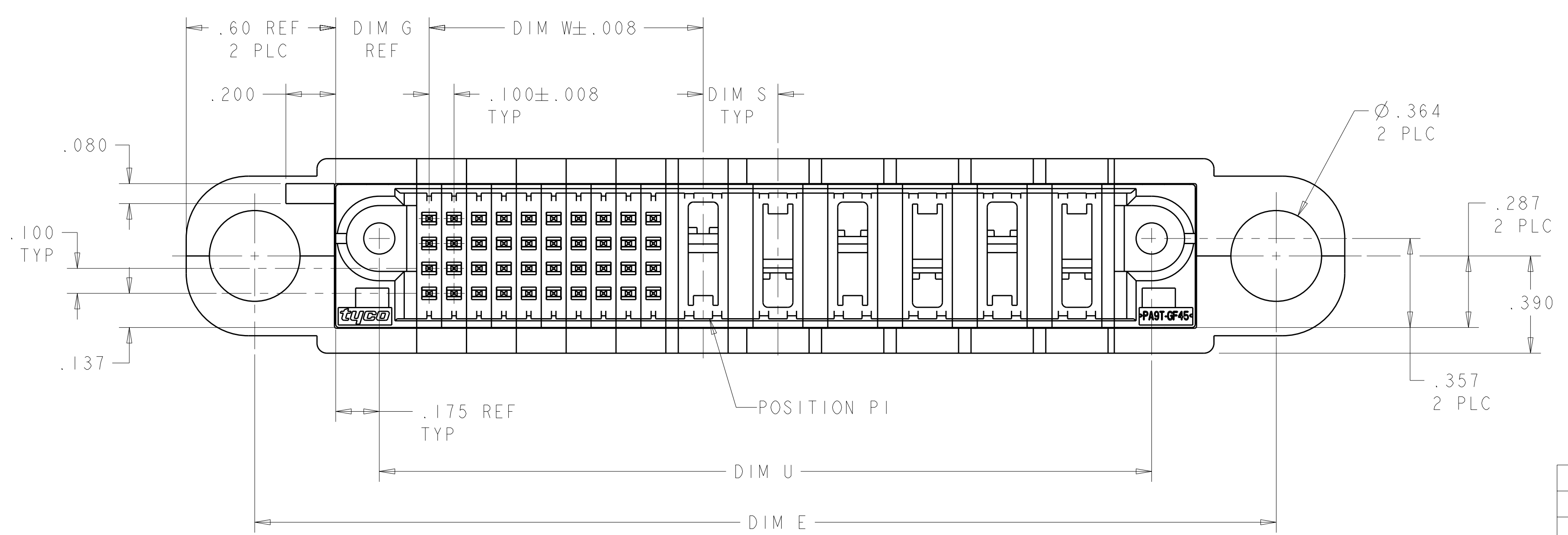
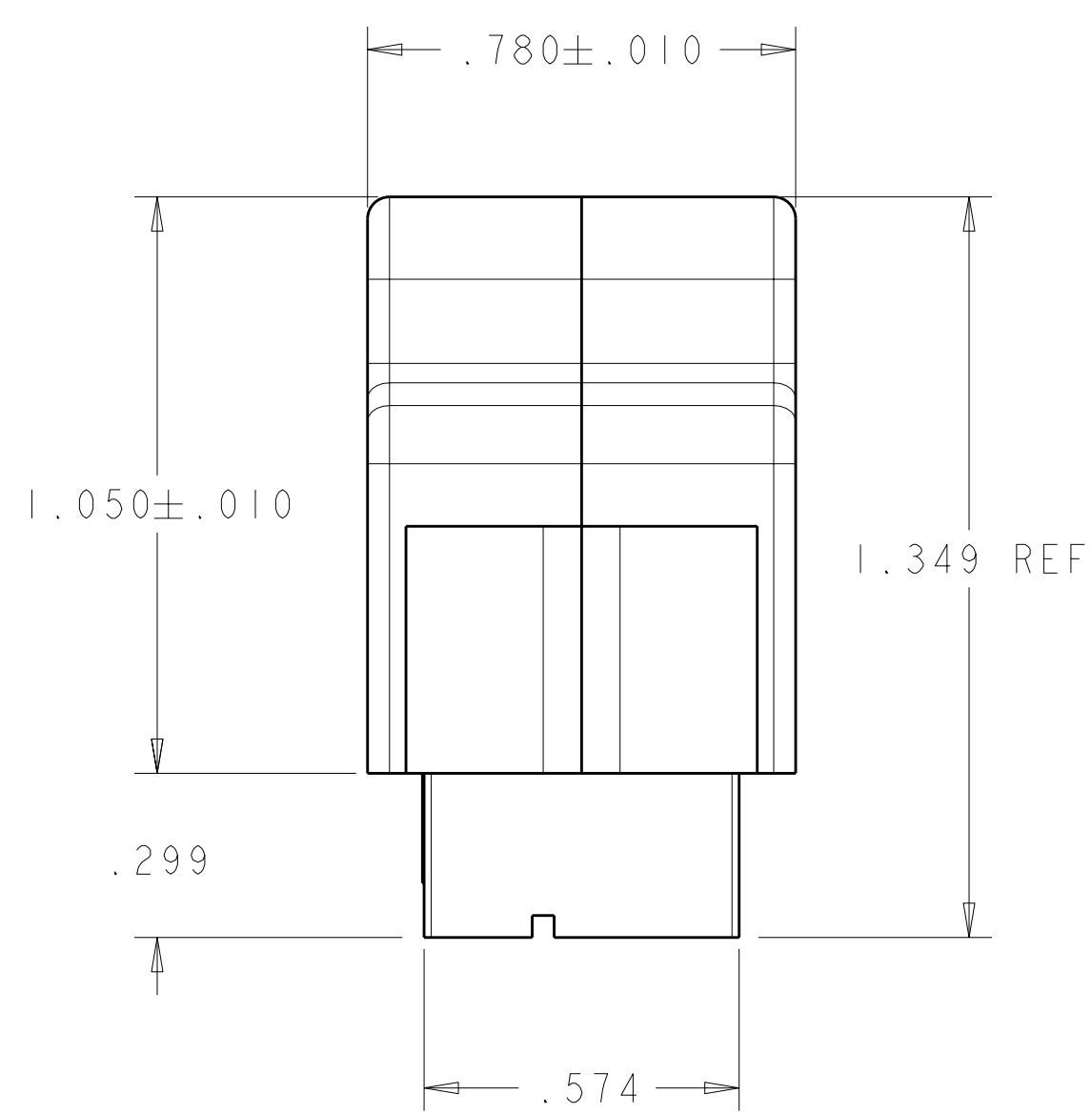
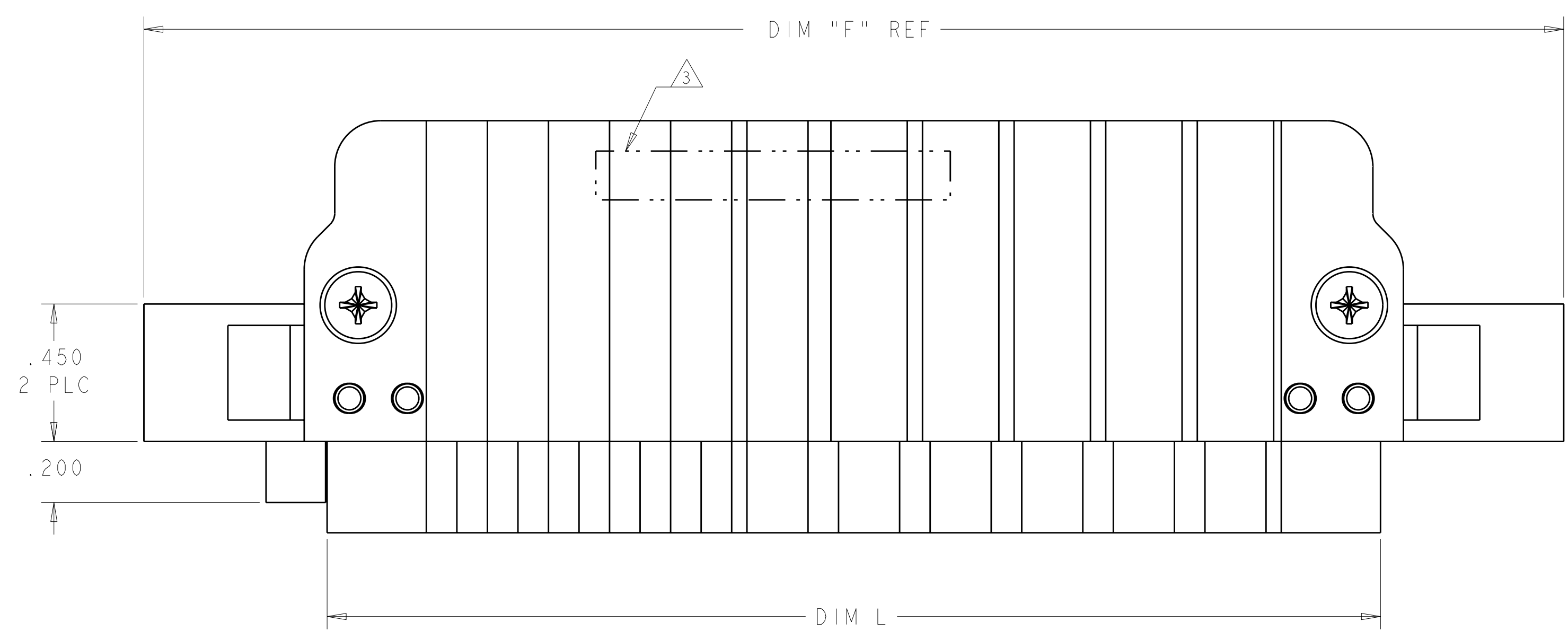


LOC	DIST	REVISIONS			
GP	00	REV	DATE	DWN	APVD
A		RELEASED PER ECO-06-017536	08AUG2006	GIP	MP



ISOMETRIC VIEW
 SCALE 2:1

- 1 CLAMSHELLS AND HEADER HOUSING: THERMO PLASTIC, UL94 V-O, CONTACTS: COPPER ALLOY; SCREWS: STEEL.
- 2 CONTACTS: .000030 MIN GOLD IN MATING AREA, .000050 MIN TIN IN CRIMP AREA, BOTH OVER .000050 MIN NICKEL ALL OVER; SCREWS: ZINC.
- 3 TYCO PART NUMBER AND DATE CODE MARKED IN AREA.
- 4 CONNECTOR KEEP OUT ZONE.
- 5 CONNECTOR MATED TO PANEL FROM OPPOSITE SIDE.
- 6 NO BURRS ALLOWED ON OPPOSITE (MATED) SIDE.
- 7 DATUM LOCATIONS AND BASIC DIMENSIONS TO BE ESTABLISHED BY CUSTOMER.
- 8 MOUNT CONNECTOR WITH TYCO HARDWARE KIT 1600914-1 FOR .050 (1.27mm) MIN RADIAL FLOAT.
- 9 THIS PART NUMBER IS NOT RELEASED.



.725	2.500	.250	2.850	.425	4.050	3.500	24S + 6P (10AWG)	1600237-2
1.100	3.100	.300	3.450	.375	4.650	4.100	40S + 6ACP (12AWG, 5 10AWG)	1600237-1
W	U	S	L	G	F	E	DESCRIPTION	PART NO

DIMENSIONS: INCH 		TOLERANCES UNLESS OTHERWISE SPECIFIED: 9 PLC ± 1 PLC ± 2 PLC ± 3 PLC ± 4 PLC ± ANGLES ±		DWN J. McCLINTON 14JUN2006 CHK D. TROUT 14JUN2006 APVD R. WHYNE 14JUN2006		tyco Electronics Tyco Electronics Harrisburg, PA 17105-3608	
MATERIAL:		FINISH:		PRODUCT SPEC: 108-2157-1 APPLICATION SPEC: 114-13164 WEIGHT: - CUSTOMER DRAWING		NAME: PANEL MOUNT CABLE PLUG, WITH GUIDES, TYPE SP, MULTI-BEAM XL SIZE: CAGE CODE DRAWING NO: A1100779C-1600237 RESTRICTED TO: - SCALE: 3:1 SHEET 1 OF 2 REV A	

LOC	DIST	REV	DATE	BY	APPD
GP	00				

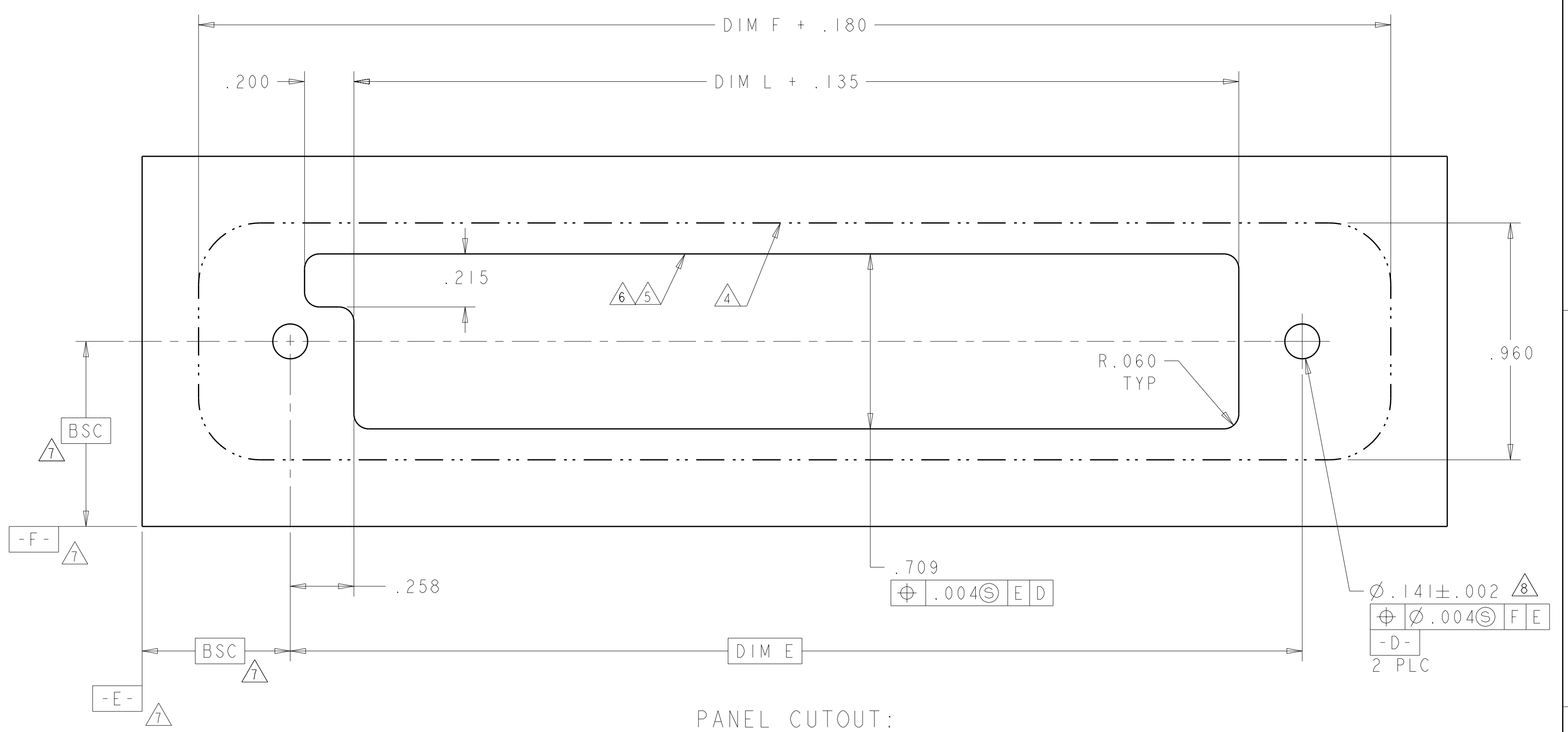
REV	DATE	DESCRIPTION
-	-	SEE SHEET 1

PART NUMBER	ROWS	SIGNAL										POWER					
		1	2	3	4	5	6	7	8	9	10	P1	P2	P3	P4	P5	P6
1600237-1	D	CT	CT	CT	CT	CT	CT	CT	CT	CT	CT	CP	CP	CP	CP	CP	CP
	C	CT	CT	CT	CT	CT	CT	CT	CT	CT	CT	CP	CP	CP	CP	CP	CP
	B	CT	CT	CT	CT	CT	CT	CT	CT	CT	CT	CP	CP	CP	CP	CP	CP
	A	CT	CT	CT	CT	CT	CT	CT	CT	CT	CT	CP	CP	CP	CP	CP	CP

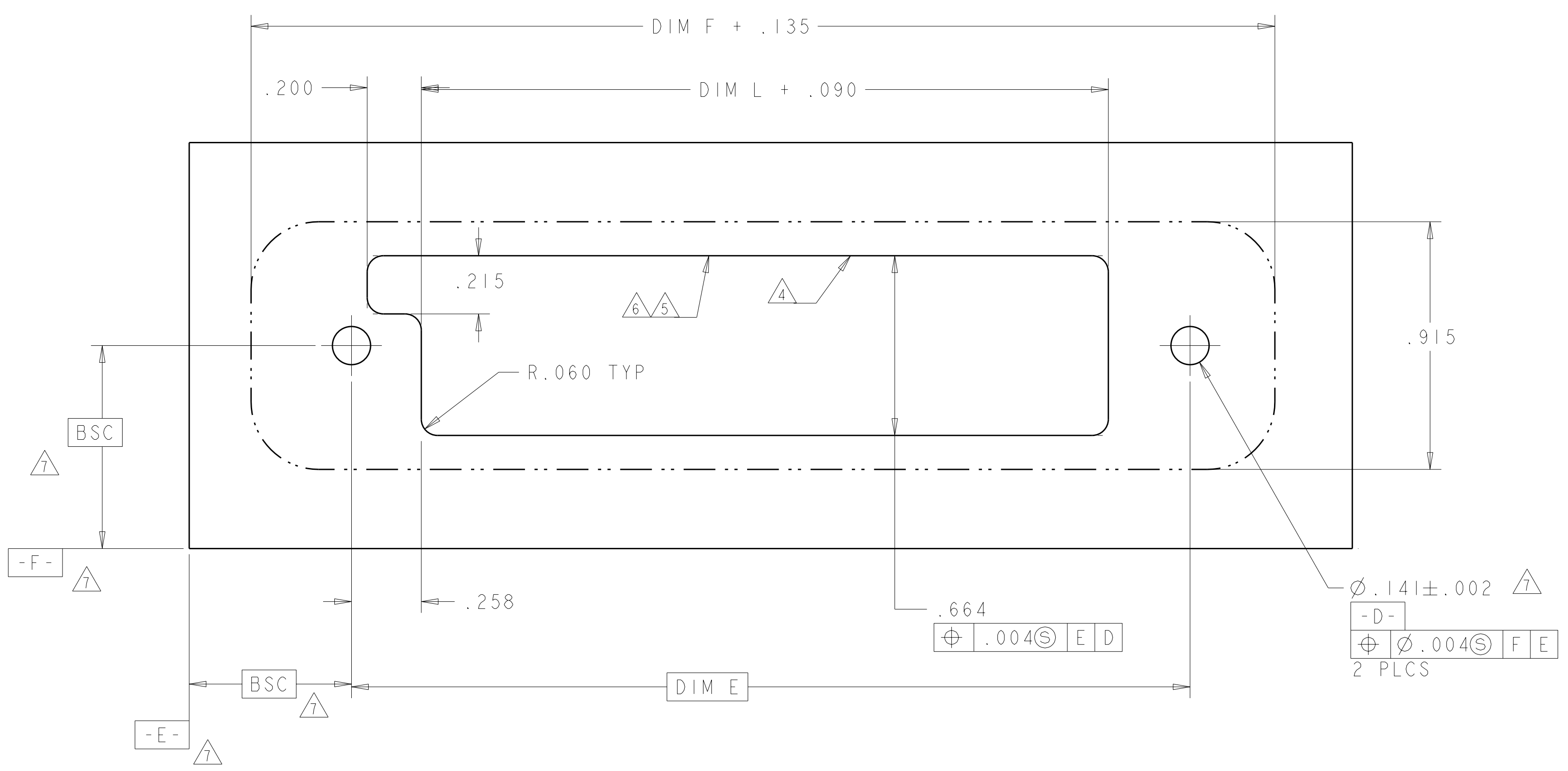
40S + 6ACP (1 12 AWG, 5 10AWG)

PART NUMBER	ROWS	SIGNAL						POWER					
		1	2	3	4	5	6	P1	P2	P3	P4	P5	P6
1600237-2	D	CT	CT	CT	CT	CT	CT	CP	CP	CP	CP	CP	CP
	C	CT	CT	CT	CT	CT	CT	CP	CP	CP	CP	CP	CP
	B	CT	CT	CT	CT	CT	CT	CP	CP	CP	CP	CP	CP
	A	CT	CT	CT	CT	CT	CT	CP	CP	CP	CP	CP	CP

24S + 6P (10AWG)



PANEL CUTOUT:
WHEN MATING TO BOARD MOUNT RECEPTACLE



PANEL CUTOUT:
WHEN MATING TO SLIDE-TO-LOCK CABLE RECEPTACLE

MATING SEQUENCE	DESCRIPTION	IDENTIFIER
MLBF	SIGNAL CONTACT	CV
STANDARD	SIGNAL CONTACT	CT
-	POWER CONTACT	CP

DIMENSIONS: INCH 		TOLERANCES UNLESS OTHERWISE SPECIFIED: 9 PLC ± 1 PLC ± 2 PLC ± 3 PLC ±0.005 4 PLC ± ANGLES ± FINISH		DWN J. McCLINTON 14JUN2006 CHK D. TROUT 14JUN2006 APVD P. WHYNE 14JUN2006 PRODUCT SPEC APPLICATION SPEC WEIGHT CUSTOMER DRAWING		Tyco Electronics Harrisburg, PA 17105-3608 NAME PANEL MOUNT CABLE PLUG, WITH GUIDES, POWER, MULTI-BEAM XL SIZE CAGE CODE DRAWING NO A1100779C=1600237 RESTRICTED TO SCALE 3:1 SHEET 2 OF 2 REV A	
-------------------------	--	--	--	---	--	---	--