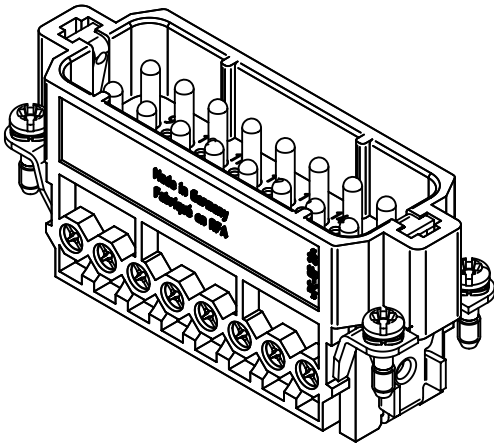
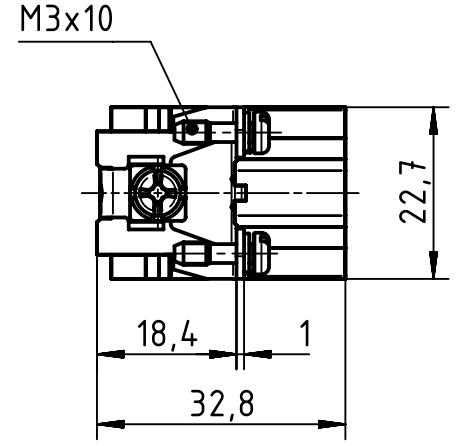
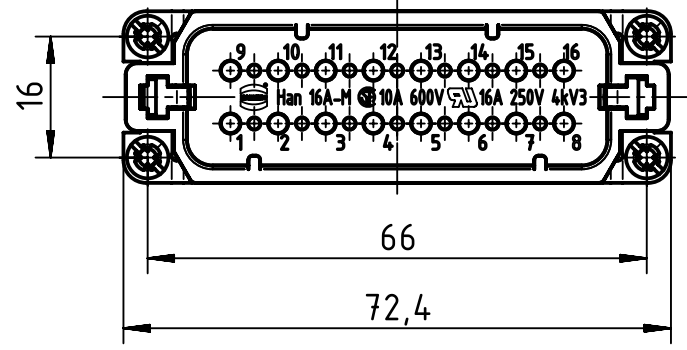
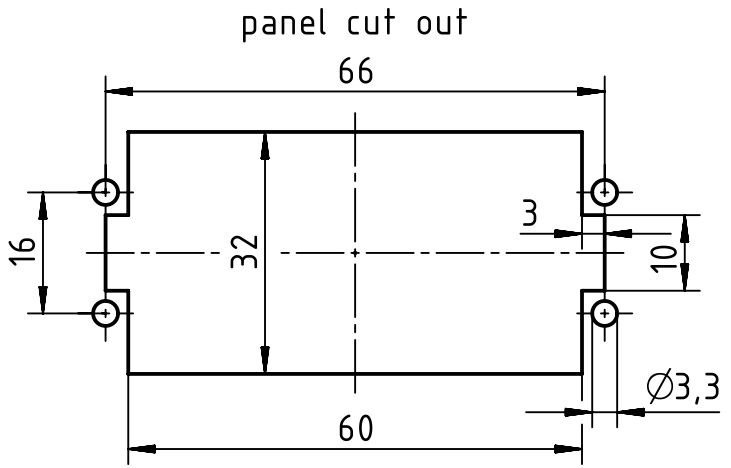


A

B

C

D



| | | | | | | |
|---------------------------------------|---|--|--------------------------|-----------------------------|--|------------------------|
| | All rights reserved Department EL PD - DE HARTING Electric GmbH & Co. KG D-32339 Espelkamp | All Dimensions in mm Original Size DIN A4 | | Scale 1:1 | Free size tol. | Ref. Sub. |
| | | Created by SPRENB | Inspected by BERGHORN | Standardisation TIEMANNA | Date 2015-09-18 | State Final Release |
| Title Han A 16 Pos. M Insert Screw | | | | | Doc-Key / ECM-Nr. 100087431/UGD/007/C 500000091602 | |
| Type TB | | | Number 09 20 016 2612 | | Rev. C | Page 1/1 |