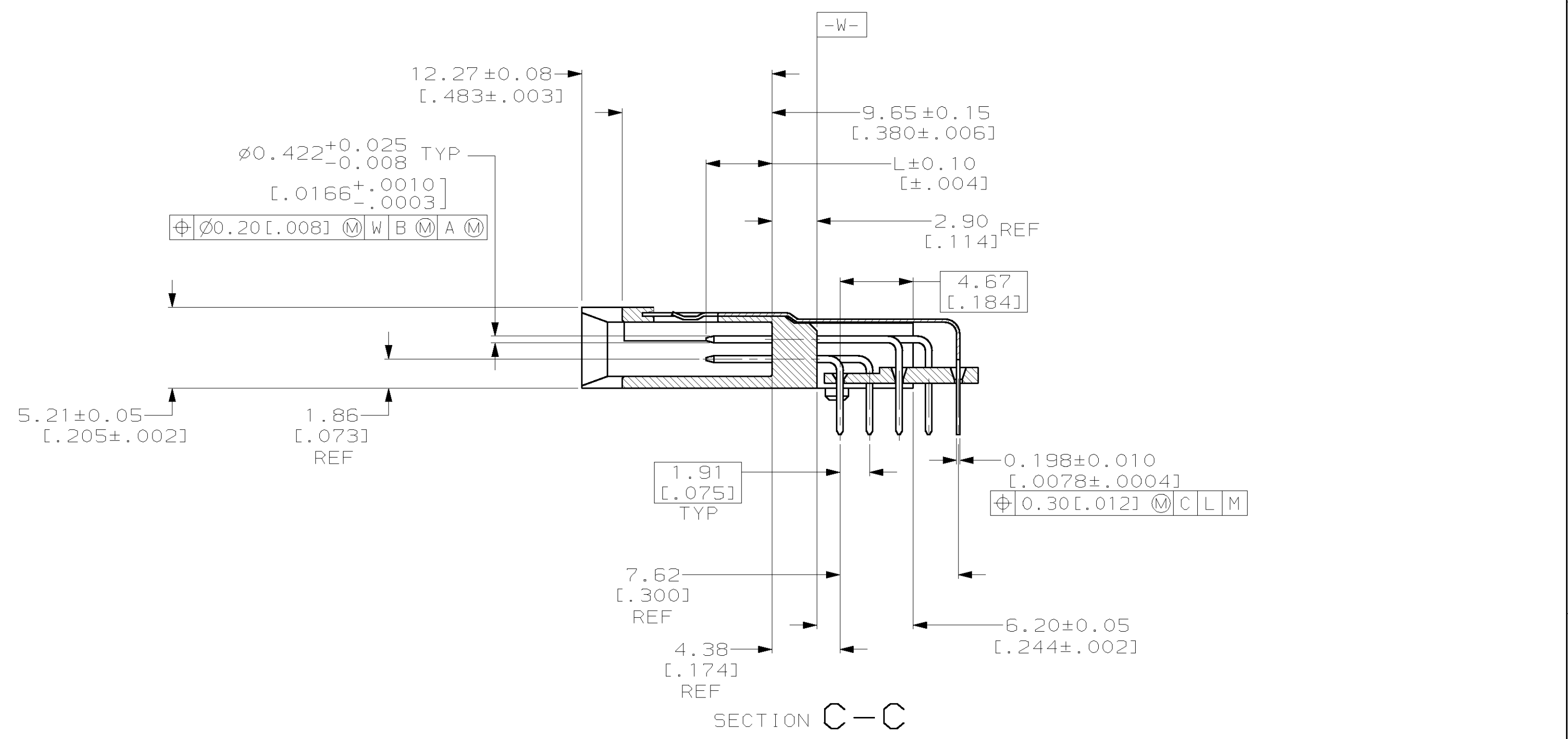
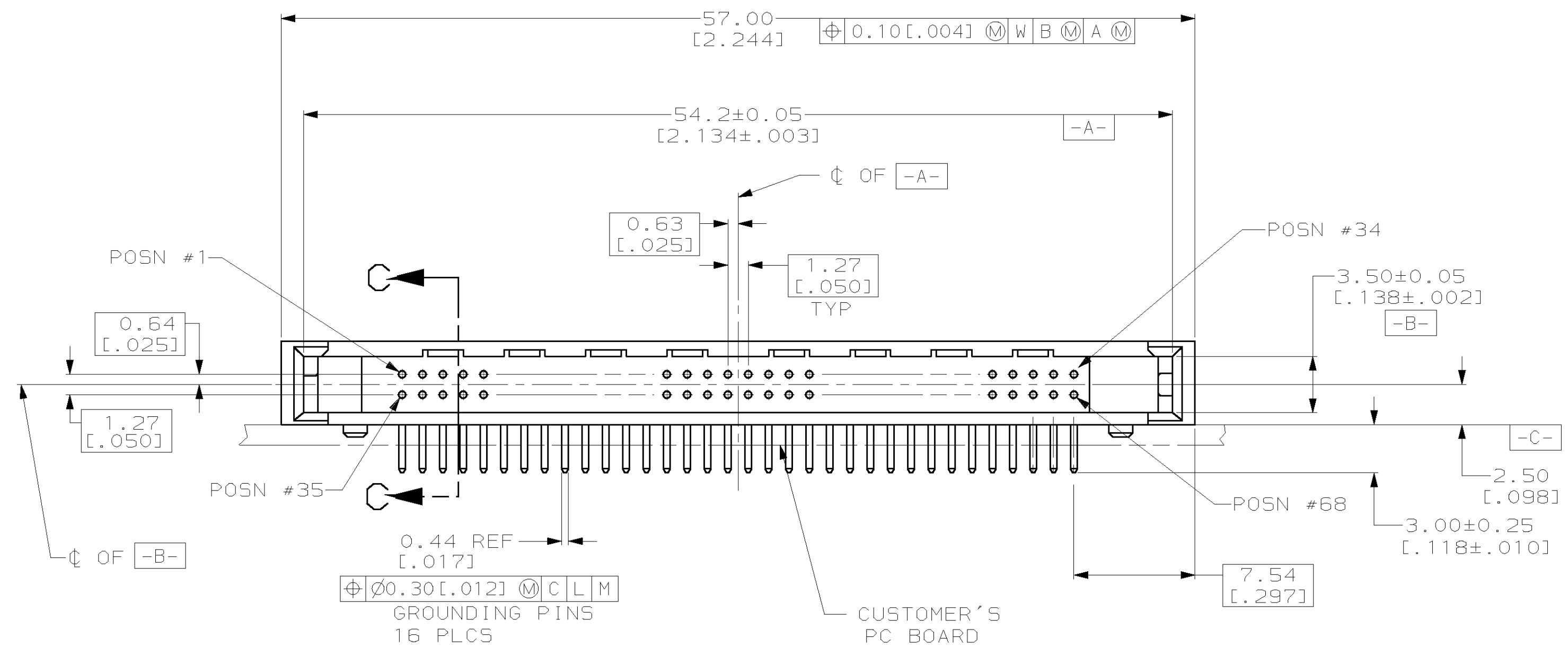
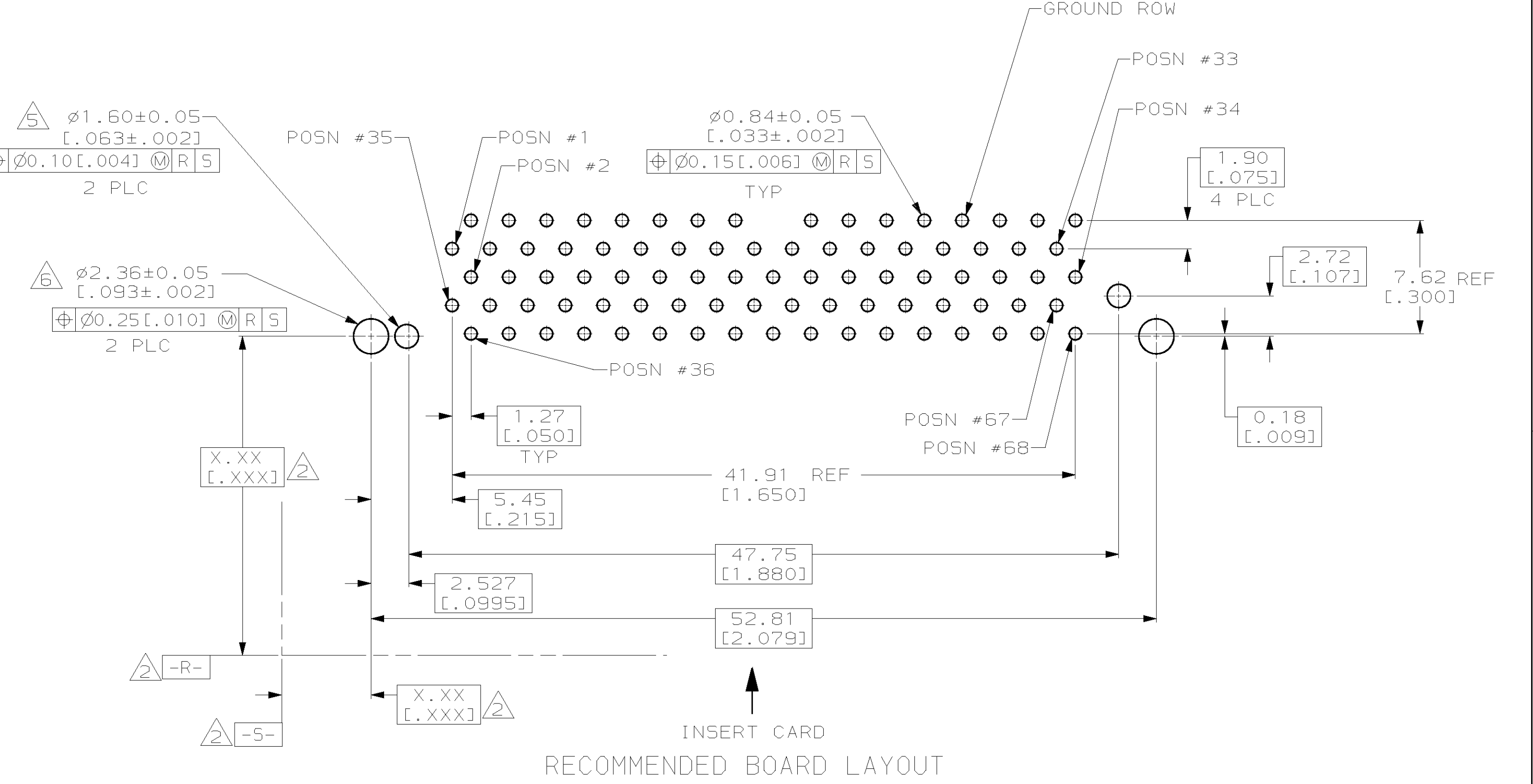
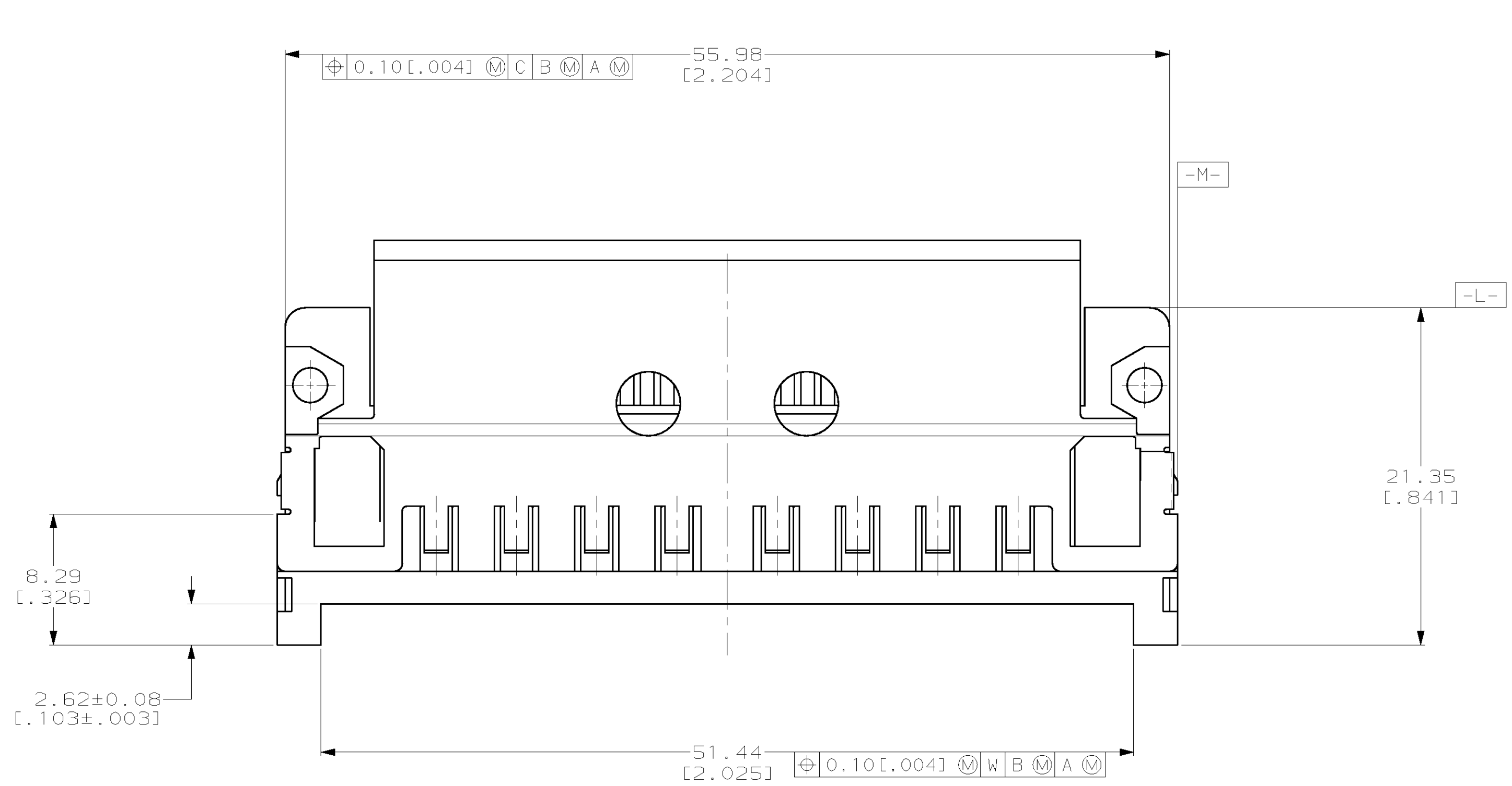


REV	DATE	DESCRIPTION	DATE	OWN	APPROV
0	2/20/97	RELEASED, WA5 96-1129-26		JR	VR
B	12/09/98	REV PER EC 0651-0258-98		MM	MP



- ▲ 0.00076 [0.00030] MINIMUM GOLD IN CONTACT AREA, 0.00381 [0.00150] MIN TIN-LEAD ON SOLDER TAILS, ALL OVER 0.00127 [0.00050] MINIMUM NICKEL
- ▲ DATUMS AND BASIC DIMENSIONS ESTABLISHED BY CUSTOMER
- 3 CONNECTOR REQUIRES USE OF 2 - SIZE 2M SCREWS FOR FASTENING TO PRINTED CIRCUIT BOARD
- ▲ ASSEMBLY KEYED FOR LOW VOLT CARDS (3.3V)
- ▲ USE 1.6MM DRILL.
- ▲ USE 2.35MM DRILL.

VOLTAGE KEYING & IDENTIFICATION	1, 17, 34	ALL OTHER PINS	36, 67	146767-1						
	35, 51, 68			PART NUMBER						
"L" (PIN LENGTH) AND LOCATION										
<table border="1"> <tr> <td>5.0 [0.197]</td> <td>4.25 [0.167]</td> <td>3.5 [0.138]</td> </tr> </table>				5.0 [0.197]	4.25 [0.167]	3.5 [0.138]				
5.0 [0.197]	4.25 [0.167]	3.5 [0.138]								
<table border="1"> <tr> <td>AMP</td> <td>AMP Incorporated</td> <td></td> </tr> <tr> <td></td> <td>Harrisburg, PA 17105-3608</td> <td></td> </tr> </table>				AMP	AMP Incorporated			Harrisburg, PA 17105-3608		
AMP	AMP Incorporated									
	Harrisburg, PA 17105-3608									
<table border="1"> <tr> <td>PRODUCT SPEC</td> <td>PIN HEADER, LOW PROFILE, 68 POSN, TOP BOARD, THRU-HOLE PC CARDBUS</td> <td></td> </tr> </table>				PRODUCT SPEC	PIN HEADER, LOW PROFILE, 68 POSN, TOP BOARD, THRU-HOLE PC CARDBUS					
PRODUCT SPEC	PIN HEADER, LOW PROFILE, 68 POSN, TOP BOARD, THRU-HOLE PC CARDBUS									
<table border="1"> <tr> <td>SIZE</td> <td>CAGE CODE</td> <td>DRAWING NO</td> </tr> <tr> <td>A1</td> <td>00779</td> <td>C=146767</td> </tr> </table>				SIZE	CAGE CODE	DRAWING NO	A1	00779	C=146767	
SIZE	CAGE CODE	DRAWING NO								
A1	00779	C=146767								
CUSTOMER DRAWING										
SCALE 4:1 SHEET 1 OF 1 REV B										