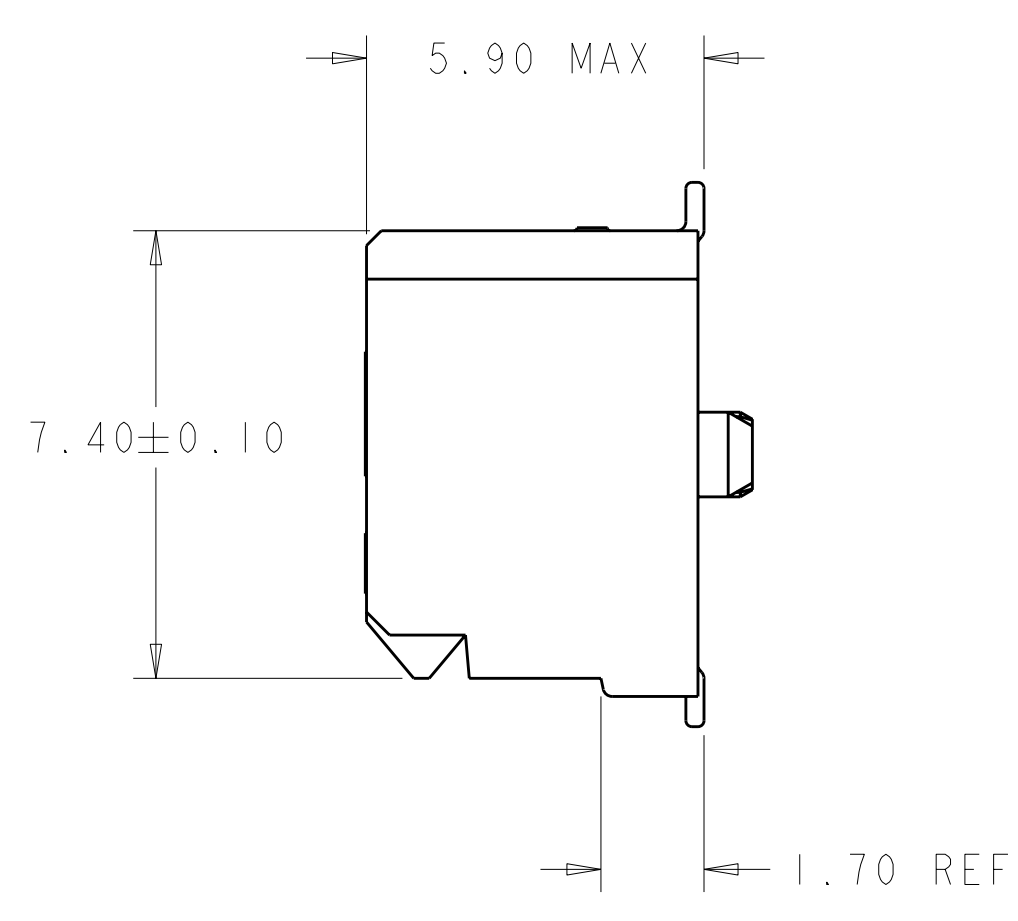
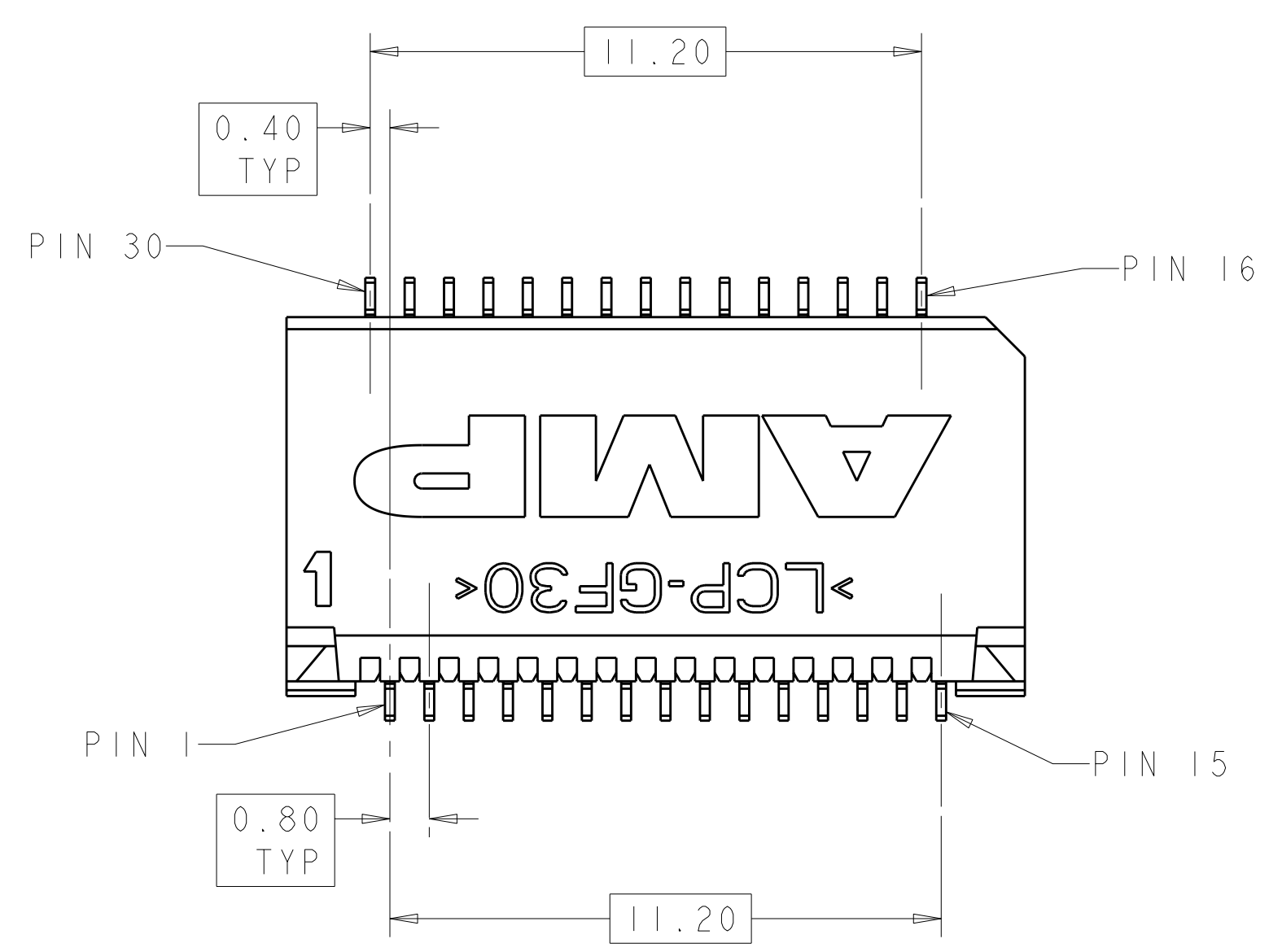
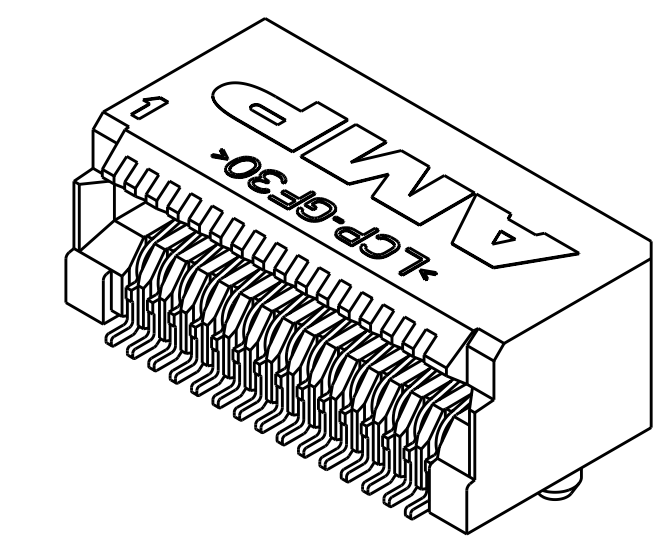
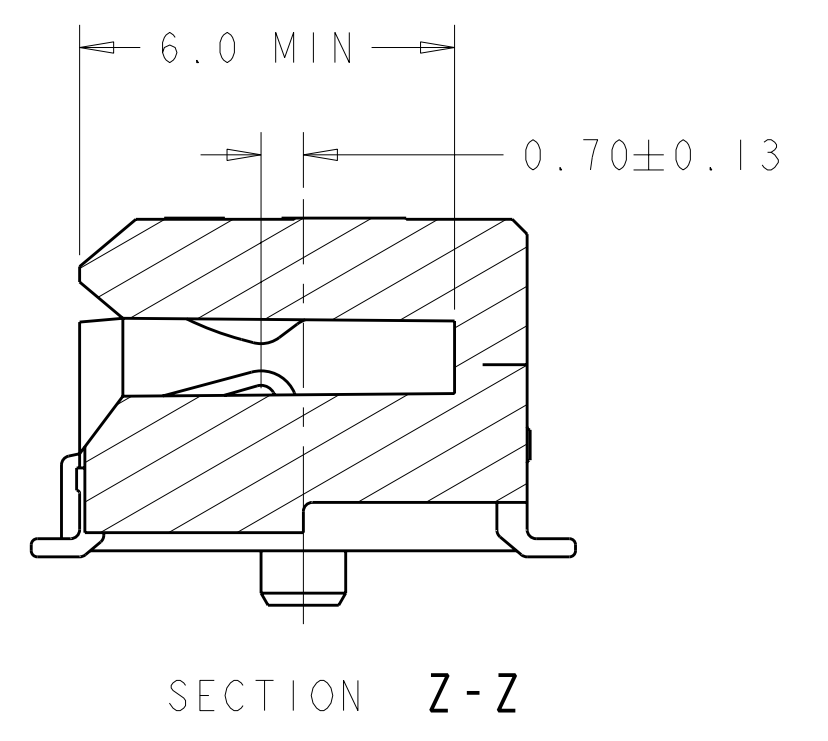
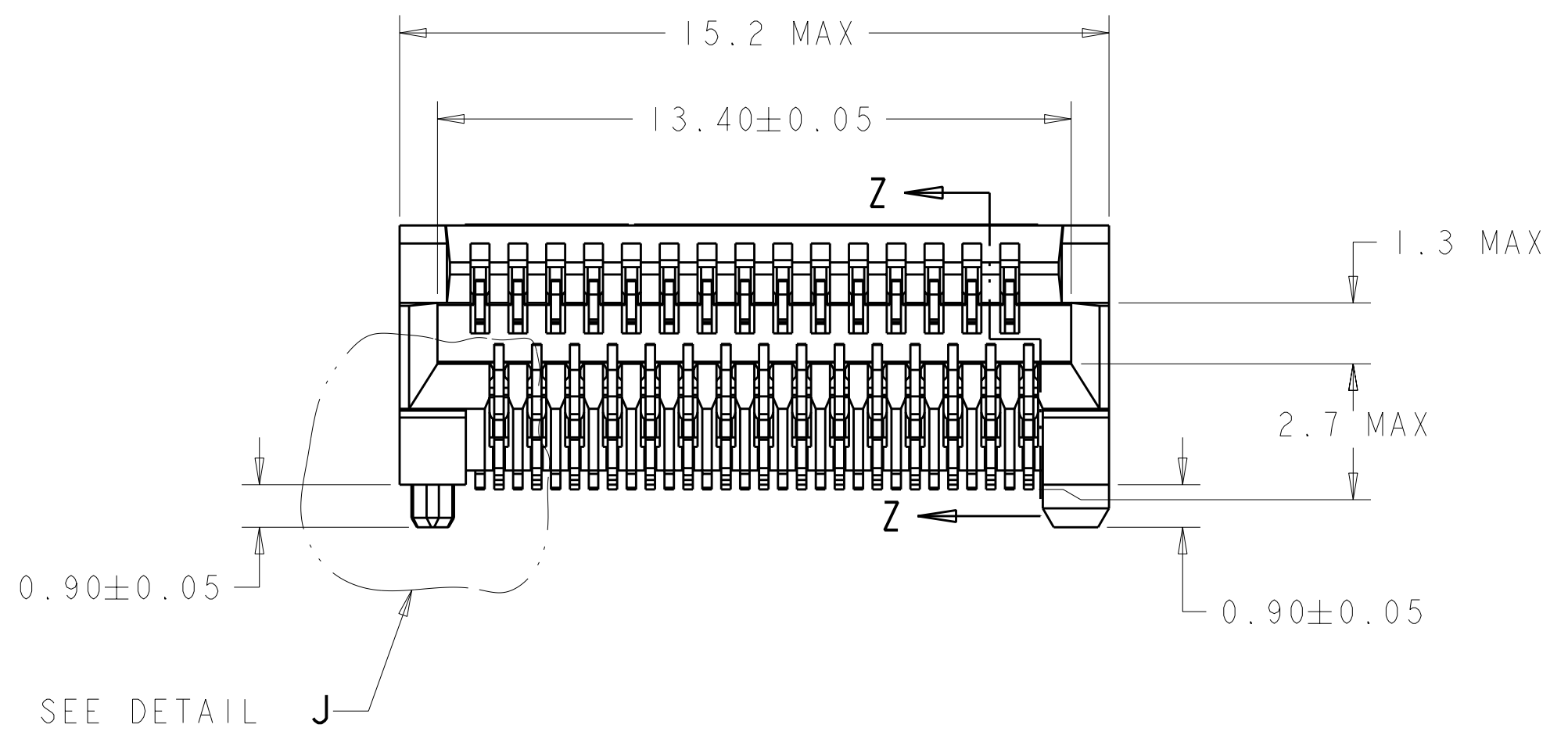


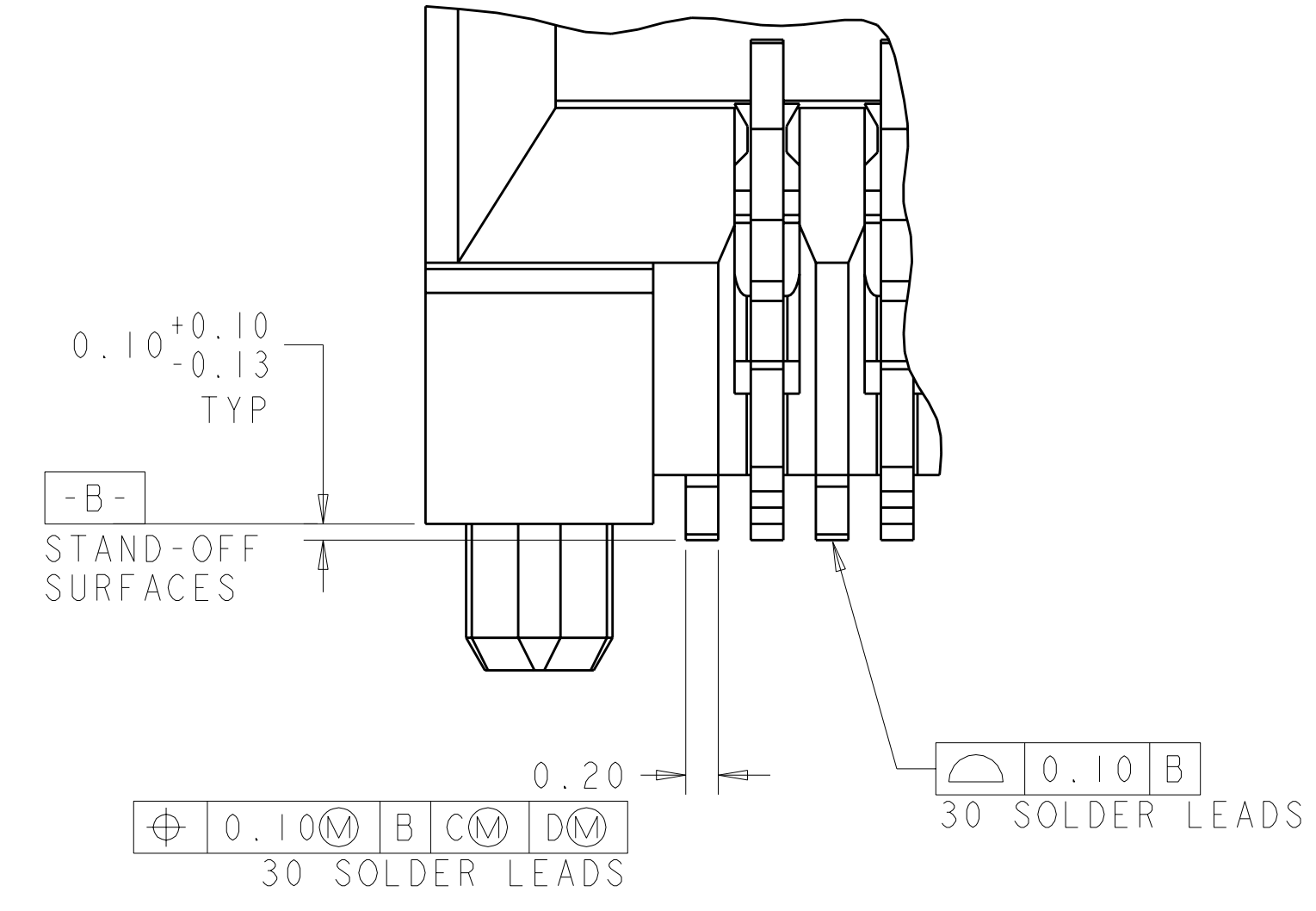
| LOC | DIST | REV | DATE | BY | CHKD | APVD |
|-----|------|-----|-----------|----|------|------|
| ES | 00 | G1 | 14MAR2011 | RK | HMR | |



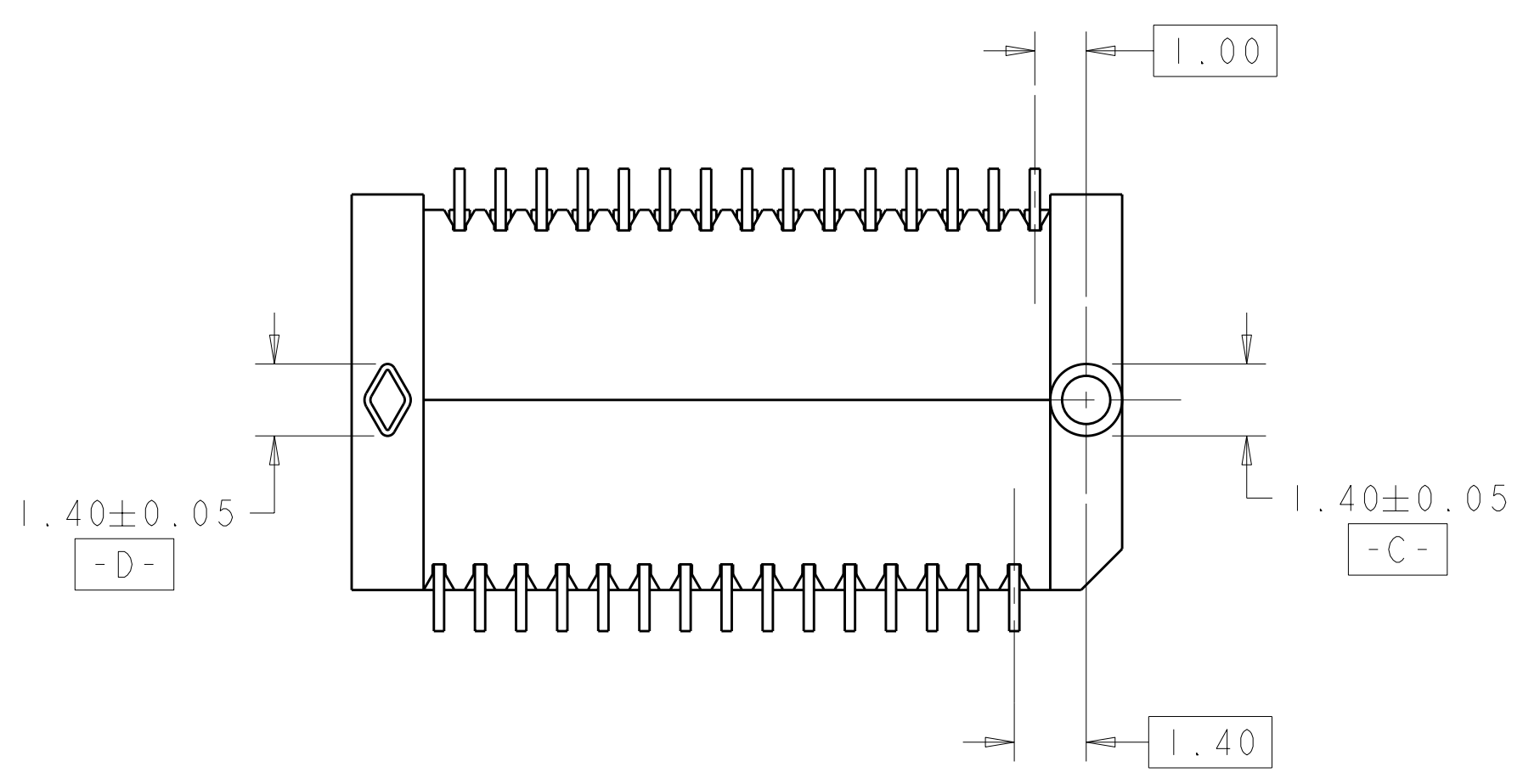
1. PART COMPATIBLE WITH XFP MSA. REFER TO THE SFP MSA FOR DIMENSIONS NOT SHOWN ON THIS PRINT.
2. HOUSING: HIGH TEMPERATURE LCP, UL 94V-0 RATED, BLACK. CONTACT: PHOSPHOR BRONZE.
3. CONTACTS: 0.00038 MIN GOLD IN CONTACT AREA, 0.00013 MIN GOLD ON SOLDER AREA, OVER 0.0038 MIN NICKEL UNDERPLATE ON ENTIRE CONTACT.
4. PACKAGED PIECES PER REEL.
5. GROUND, POWER AND SIGNAL PAD ARRANGEMENT TO BE DETERMINED BY CUSTOMER.
6. DATUMS AND BASIC DIMENSIONS ESTABLISHED BY CUSTOMER.
7. CONTACTS: 0.00076 MIN GOLD IN CONTACT AREA, 0.00013 MIN GOLD ON SOLDER AREA, OVER 0.0038 MIN NICKEL UNDERPLATE ON ENTIRE CONTACT.
8. SOLDER MASK KEEP OUT AREA.
9. CONTACTS: 0.00127 MIN GOLD IN CONTACT AREA, 0.00013 MIN GOLD ON SOLDER AREA, OVER 0.0038 MIN NICKEL UNDERPLATE ON ENTIRE CONTACT.



SCALE 5:1



DETAIL J
SCALE 25:1



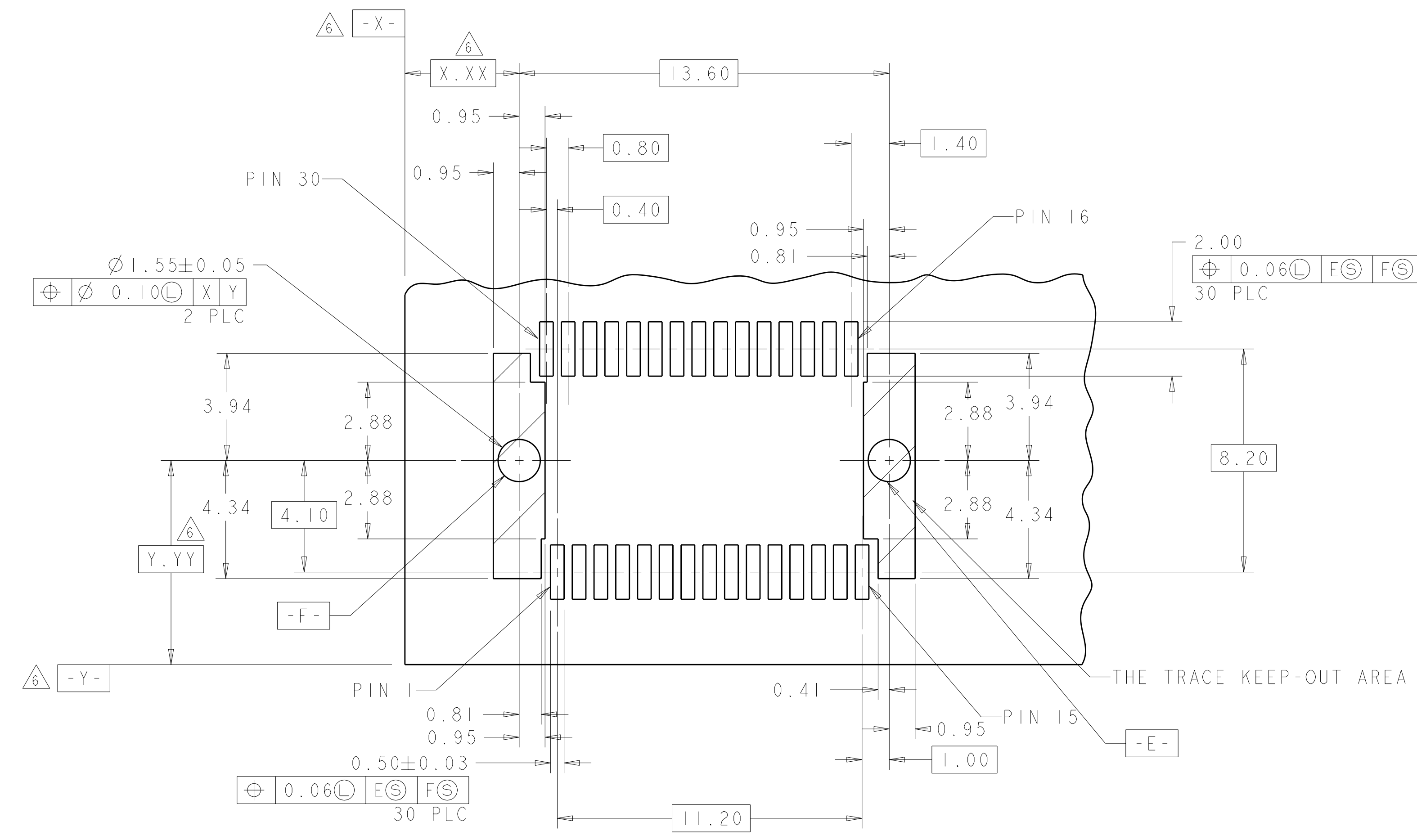
| FINISH | PART NUMBER |
|--------|-------------|
| 9 | 788862-3 |
| 7 | 788862-2 |
| 3 | 788862-1 |

| DIMENSIONS: | | TOLERANCES UNLESS OTHERWISE SPECIFIED: | | MATERIAL: | |
|-------------|--------|--|-----------|-----------|-----------|
| mm | 9 PLC | ± | SEE TABLE | 2 | SEE TABLE |
| | 1 PLC | ± | 0.10 | 3 | SEE TABLE |
| | 5 PLC | ± | 0.10 | 4 | SEE TABLE |
| | 4 PLC | ± | 0.10 | 5 | SEE TABLE |
| | ANGLES | ± | 0.10 | 6 | SEE TABLE |

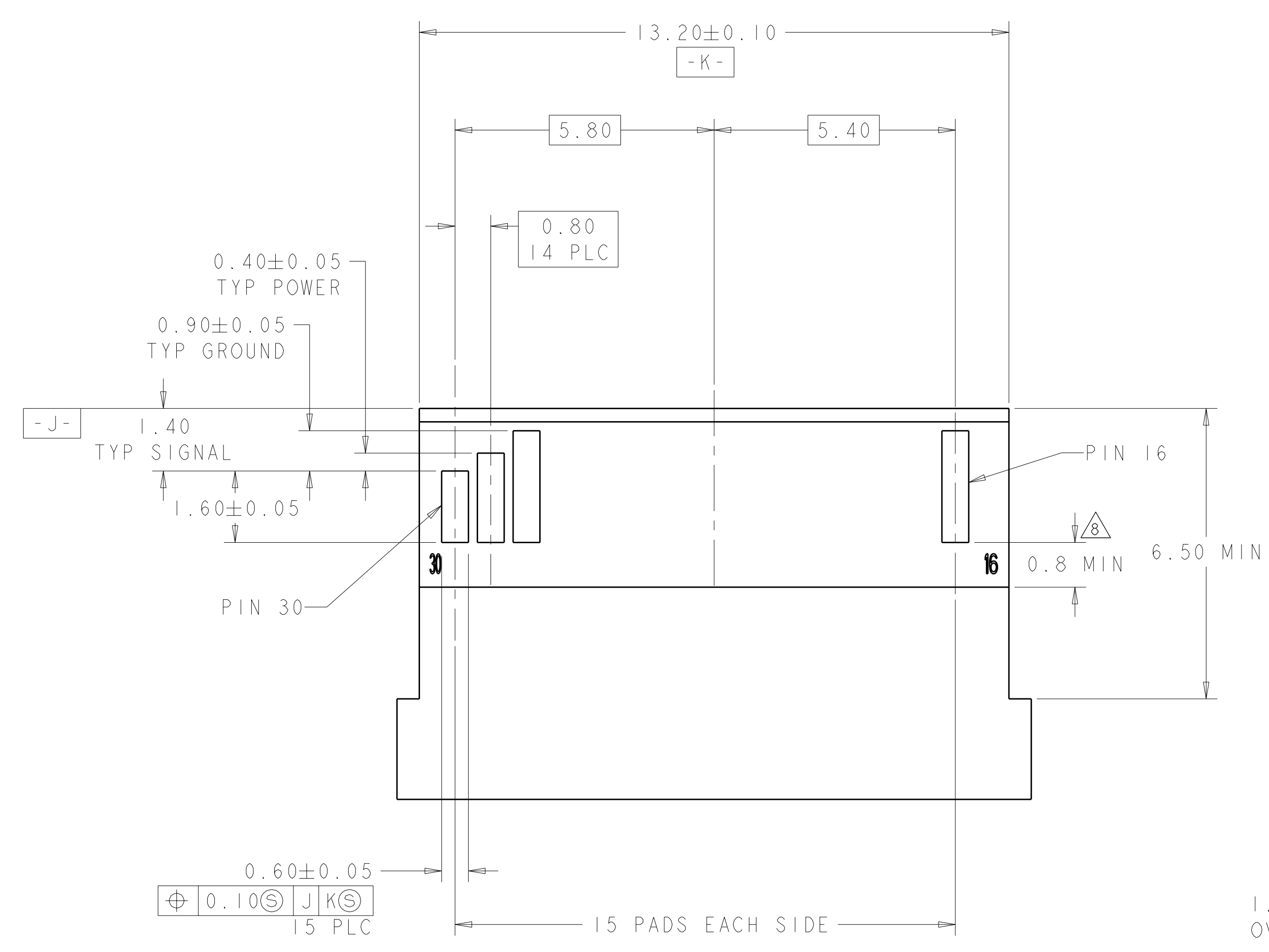
| | | |
|--|-----------------------------|---|
| THIS DRAWING IS A CONTROLLED DOCUMENT. | DWN: J. GERACE 15JAN02 | NAME: PT CONNECTOR ASSEMBLY, 30 POSITION, XFP, RTANG, 0.8MM PITCH |
| CHK: J. KOPPENHEFFER 15JAN02 | APVD: M. WALMSLEY 15JAN02 | PRODUCT SPEC: 108-1949 |
| APVD: M. WALMSLEY 15JAN02 | APPLICATION SPEC: 114-13017 | SIZE: A100779 |
| MATERIAL: 2 | WEIGHT: - | CAGE CODE: C=788862 |
| FINISH: 3 | CUSTOMER DRAWING | SCALE: 8:1 |

| LOC | DIST | REV | DATE | BY | APPD |
|-----|------|-----|------|----|------|
| ES | 00 | | | | |

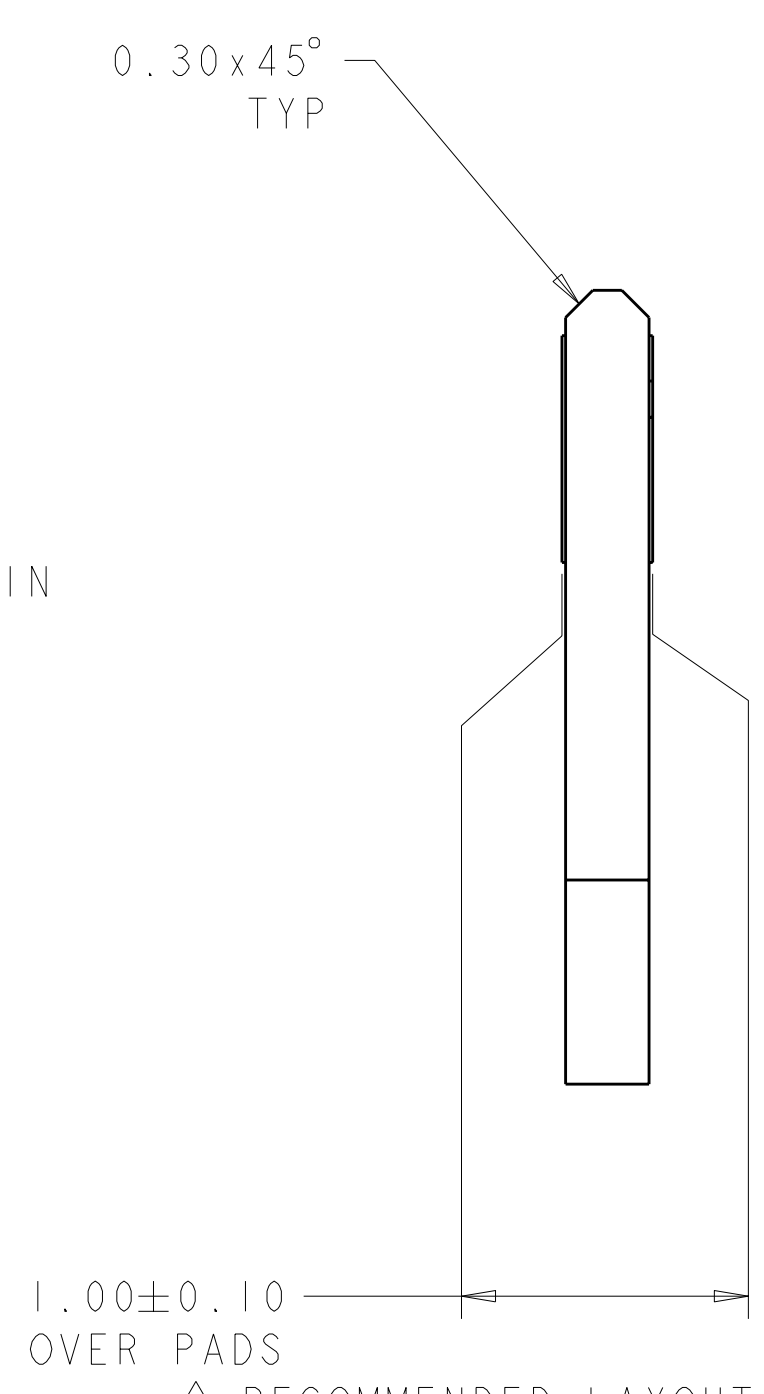
| REVISIONS | | DATE | BY | APPD |
|-----------|-------------|------|----|------|
| 1 | SEE SHEET 1 | | | |



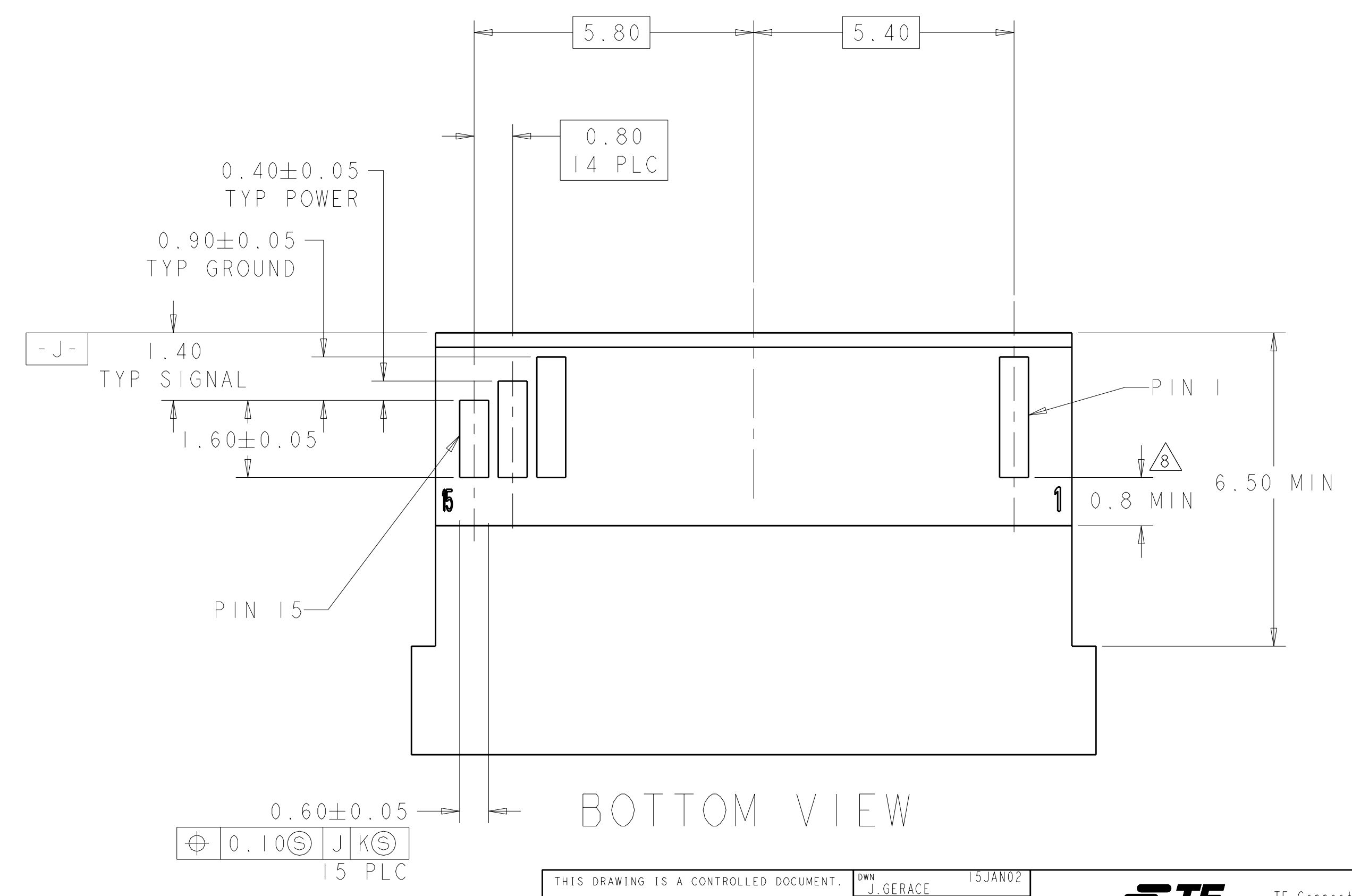
RECOMMENDED PCB LAYOUT DETAIL
CONNECTOR MOUNTING SIDE
SCALE 8:1



TOP VIEW



RECOMMENDED LAYOUT DETAIL
MATING PCB
SCALE 12:1



BOTTOM VIEW

| | | | |
|--|-------------|------------------------------|---|
| THIS DRAWING IS A CONTROLLED DOCUMENT. | | OWN: J. GERACE 15JAN02 | TE Connectivity |
| DIMENSIONS: mm | | CHK: J. KOPPENHEFFER 15JAN02 | |
| TOLERANCES UNLESS OTHERWISE SPECIFIED: | | APPD: M. WALMSLEY 15JAN02 | NAME: PT CONNECTOR ASSEMBLY, 30 POSITION, XFP, RTANG, 0.8MM PITCH |
| 9 PLC ± | 1 PLC ±0.10 | PRODUCT SPEC: 108-1949 | SIZE: CAGE CODE: DRAWING NO: RESTRICTED TO |
| 5 PLC ± | 4 PLC ± | APPLICATION SPEC: 114-13017 | A100779C=788862 |
| ANGLES ± | FINISH ± | WEIGHT: - | CUSTOMER DRAWING |
| MATERIAL: - | | SCALE: 8:1 | SHEET: 2 OF 2 |