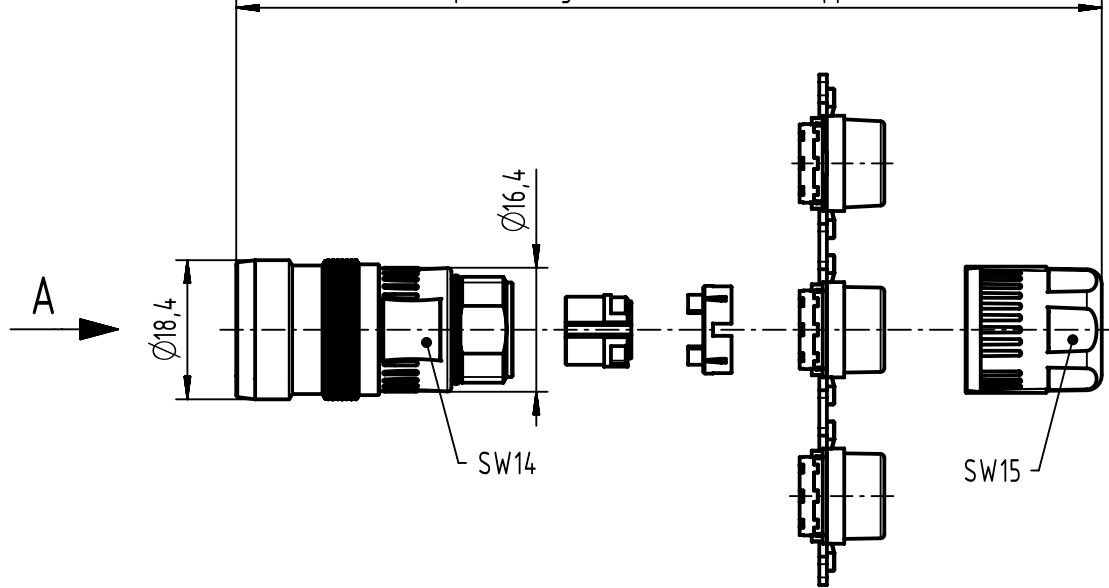
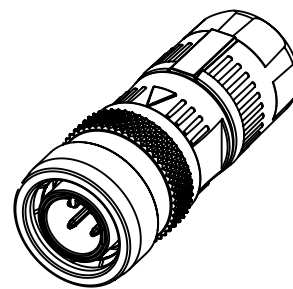
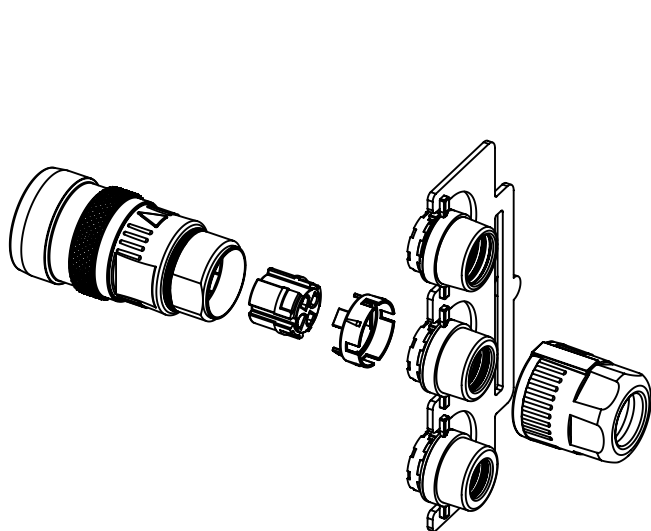
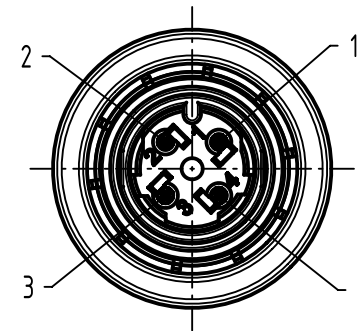


1 2 3 4 5 6


complete length when assembled app. 46mm



A (2:1)
contact face acc. to
IEC 61076-2-101



conductor cross section	AWG22
cable outside diameter	5.7 - 8.8mm

	All Dimensions in mm Original Size DIN A4	Scale	Free size tol.		Ref.	
		1:1			Sub. TB 21033221401 / 500000126041 / 2017-09-28	
All rights reserved Department EC PD - DE	HARTING Electronics GmbH D-32339 Espelkamp	Created by	Inspected by	Standardisation	Date	State
		BUSSMANT	GENAU	HOFFMANN	2018-01-18	Final Release
Title M12-PP-CC-IDC-4P-ACOD-M-STR-SHLD					Doc-Key / ECM-Nr. 100669914/UGD/001/E 500000130069	
		Type	Number		Rev.	Page
		TB	21033221401		E	1/1