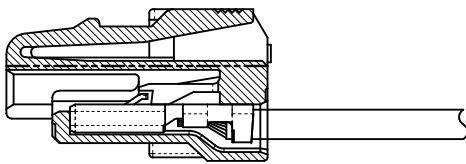
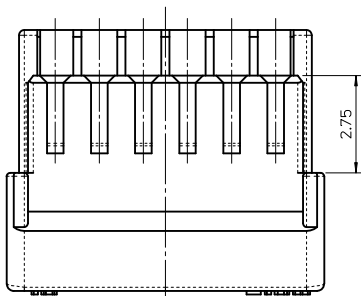
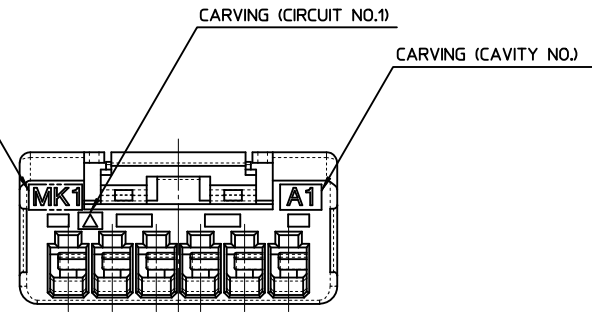
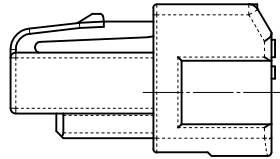
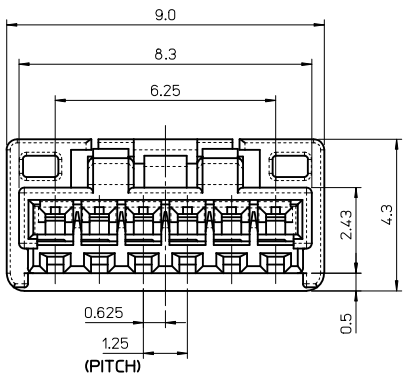


MATED WITH HEADER ASS'Y (REFERENCE)

ISOMETRIC VIEW



TERMINAL ASSEMBLY (REFERENCE)

- NOTE
1. MATED WITH : 104122-0617
  2. MATERIAL : THERMOPLASTIC, HOLOGEN FREE  
UL94V-0, COLOR OF NATURAL
  3. APPLICABLE TERMINAL : 104521-6001

<TABLE>

ORDER NO.		104121-0600	
COLOR		NATURAL	
SCALE 7:1	DESIGN UNITS METRIC	THIRD ANGLE PROJECTION	
TITLE 1.25 W/B CONN. ST. 6P HOUSING			
MOLEX INCORPORATED		DOCUMENT NO.	
SD-104121-001		SHEET NO. 1 OF 1	

RELEASED EC NO: KOR2011-0122 DRWN:SKCHO CHKD: APPR:YUNSIKKIM 2011/04/25 2010/10/28 2011/04/29	QUALITY SYMBOLS	GENERAL TOLERANCES (UNLESS SPECIFIED)		DIMENSION STYLE	
	▼=0 ◻=0	mm	INCH	MM ONLY	
		4 PLACES ± --- ± ---		DRAWN BY	DATE
		3 PLACES ± --- ± ---		HTSONG	2010/10/28
	2 PLACES ± 0.15 ± ---		CHECKED BY	DATE	
	1 PLACE ± 0.25 ± ---		SHCHU	2010/10/28	
			APPROVED BY	DATE	
			YUNSIKKIM	2011/04/29	
			MATERIAL NO.		
			SEE TABLE		
			SIZE		
			A3		

DRAFT WHERE APPLICABLE  
MUST REMAIN  
WITHIN DIMENSIONS

THIS DRAWING CONTAINS INFORMATION THAT IS PROPRIETARY TO MOLEX INCORPORATED AND SHOULD NOT BE USED WITHOUT WRITTEN PERMISSION