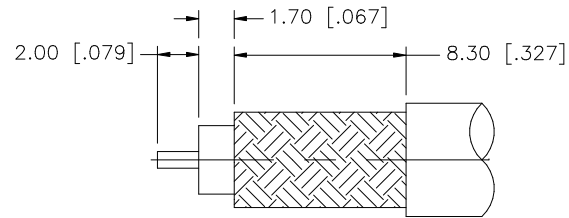
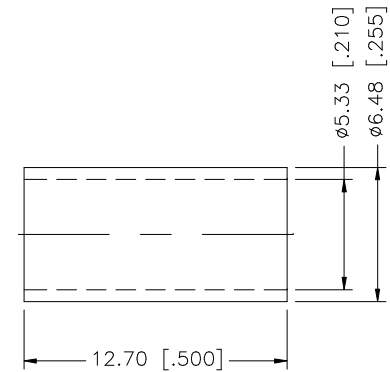
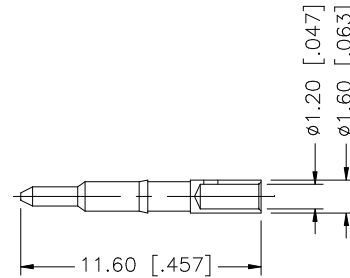
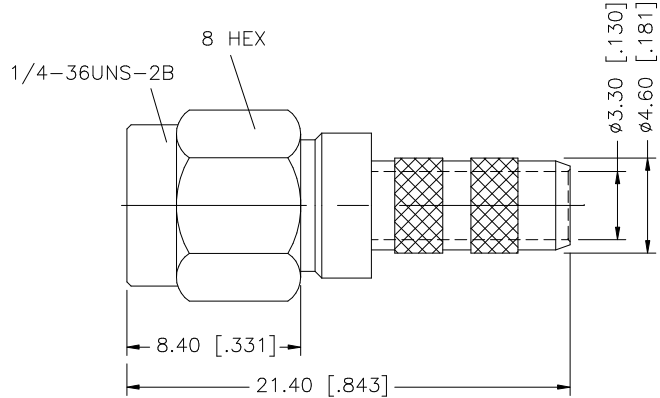


REV.	DATE	DESCRIPTION
A	01/25/04	UPDATE DRAWING FORMAT



RECOMMENDED  
CABLE STRIPPING DIM'S



NOTE:

1. CRIMPED FERRULE  
HEX CRIMP SIZE .213"
2. CONTACT PIN TO SOLDER

8					UNLESS OTHERWISE SPECIFIED DIMENSIONS ARE IN MILLIMETERS. DIMENSIONS IN [ ] ARE IN INCHES AND FOR CUSTOMER REFERENCE ONLY.	APPROVALS	DATE	<b>Amphenol Connex</b>			
7						DRAWN	G.R.S.				
6					UNLESS OTHERWISE SPECIFIED TOLERANCES FOR MILLIMETERS ARE: 0.5 - 8mm ± 0.20mm 8 - 30mm ± 0.40mm 30 - 120mm ± 0.50mm	CHECKED		PART DESCRIPTION <b>SMA CRIMP PLUG (FOR TIMES LMR-200)</b>			
5						ISSUED					
4	FERRULE	COPPER	GOLD	1	UNLESS OTHERWISE SPECIFIED TOLERANCES FOR INCHES ARE: .020 - .315 = ± 0.007" .315 - 1.180 = ± 0.015" 1.180 - 4.724 = ± 0.020"	SHEET	1 OF 1	PART NO. <b>132234</b>			
3	CONTACT PIN	BRASS	GOLD	1							
2	INSULATOR	TEFLON	NATURAL	1				DWG. NO. 132234.DWG			
1	BODY	BRASS	GOLD	1							
	DESCRIPTION	MATERIAL	FINISH	QTY	DO NOT SCALE DRAWING	CAD FILE C:/132/132234.DWG					