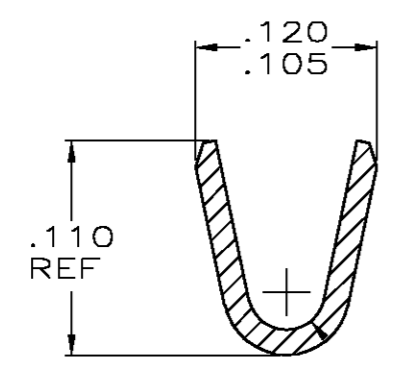
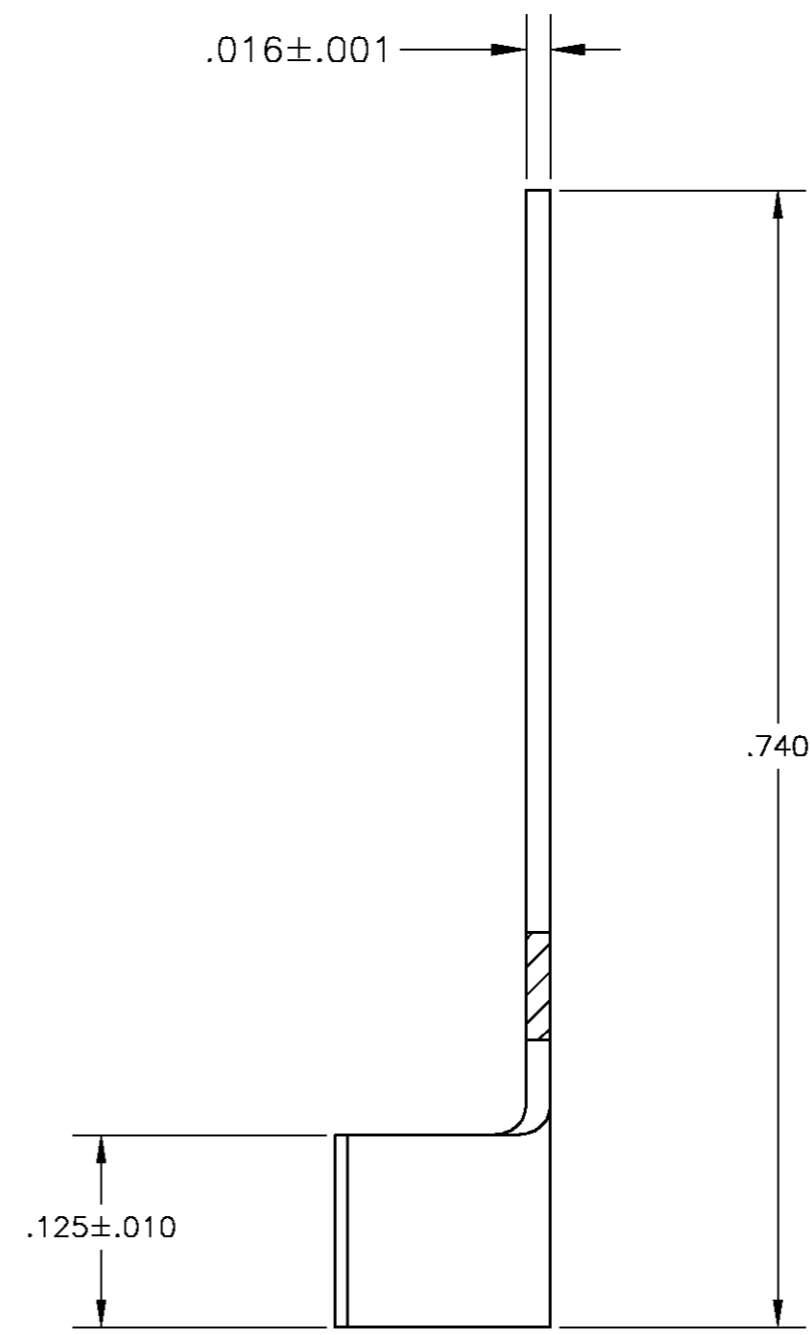
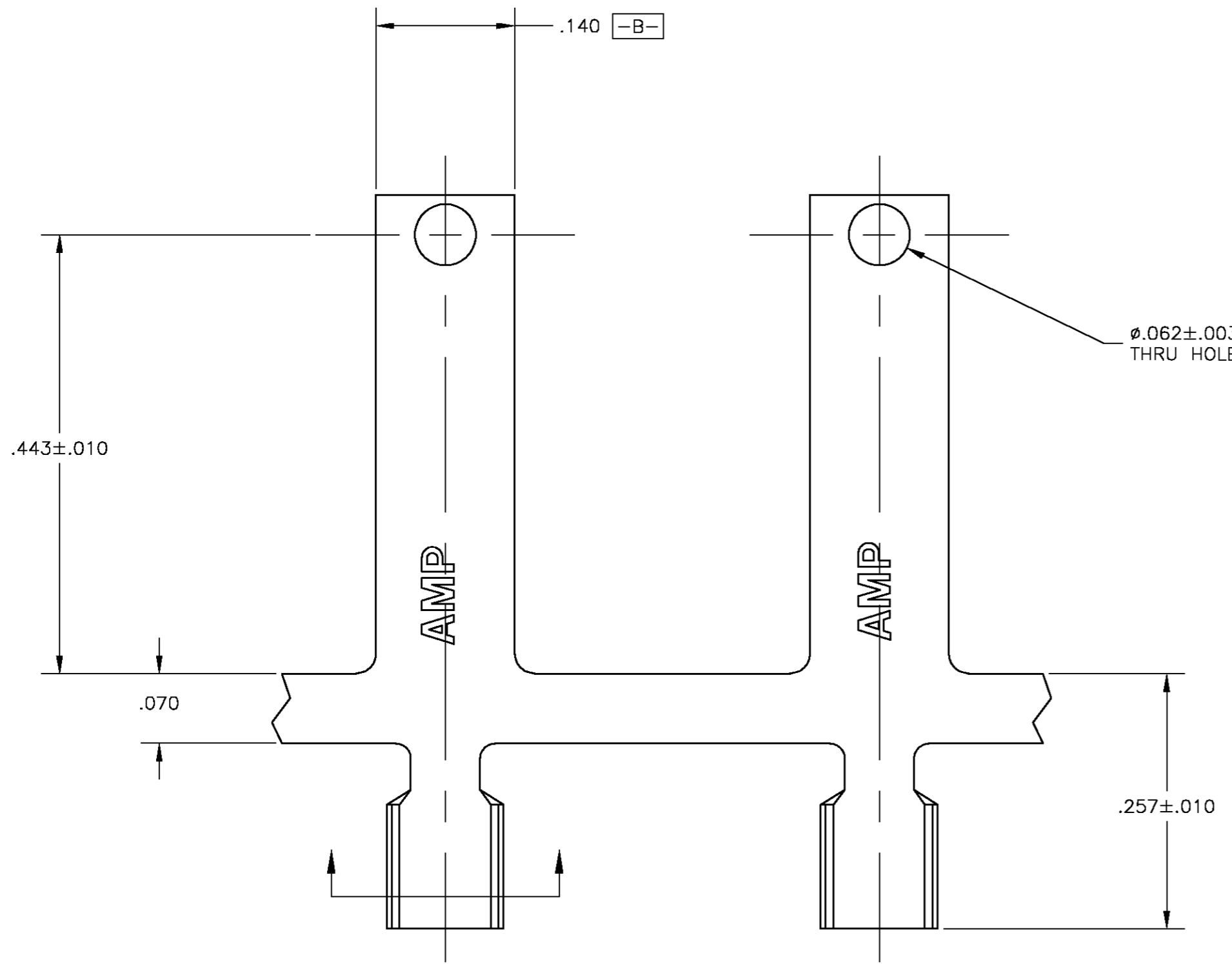


THIS DRAWING IS UNPUBLISHED. RELEASED FOR PUBLICATION
 © COPYRIGHT BY TYCO ELECTRONICS CORPORATION. ALL RIGHTS RESERVED.

LOC	DIST	REVISIONS					
		P	LTR	DESCRIPTION	DATE	DWN	APVD
AF	50		D	REVISED PER 0G3A-0167-04	22MAR04	MF	GP

- ① REELING DIRECTION FOR STANDARD APPLICATOR.
- ② REELING DIRECTION FOR MINI APPLICATOR.
- 3 CONTINUOUS STRIP ON REELS.
- 4 WIRE RANGE: #22-#18 AWG.



REELING	FINISH	PART NUMBER
②	-	155386-3
①	TIN PLATED	155386-2
①	-	155386-1

THIS DRAWING IS A CONTROLLED DOCUMENT.		DWN MICHAEL S. FEHER 22MAR2004	Tyco Electronics Corporation Harrisburg, Pa 17105-3608																		
DIMENSIONS: INCHES		CHK GARY D. PORTA 22MAR2004	NAME -																		
TOLERANCES UNLESS OTHERWISE SPECIFIED:		APVD GARY D. PORTA 22MAR2004	PRODUCT SPEC -																		
<table border="0"> <tr><td>0 PLC</td><td>±</td><td>-</td></tr> <tr><td>1 PLC</td><td>±</td><td>-</td></tr> <tr><td>2 PLC</td><td>±</td><td>-</td></tr> <tr><td>3 PLC</td><td>±</td><td>.010</td></tr> <tr><td>4 PLC</td><td>±</td><td>-</td></tr> <tr><td>ANGLES</td><td>±</td><td>-</td></tr> </table>		0 PLC	±	-	1 PLC	±	-	2 PLC	±	-	3 PLC	±	.010	4 PLC	±	-	ANGLES	±	-	APPLICATION SPEC -	
0 PLC	±	-																			
1 PLC	±	-																			
2 PLC	±	-																			
3 PLC	±	.010																			
4 PLC	±	-																			
ANGLES	±	-																			
MATERIAL 4M BRASS	FINISH SEE TABLE	WEIGHT -	SIZE A2	CAGE CODE 00779																	
CUSTOMER DRAWING		DRAWING NO C=155386		RESTRICTED TO -																	
SCALE 10:1		SHEET 1 OF 1		REV D																	

155386