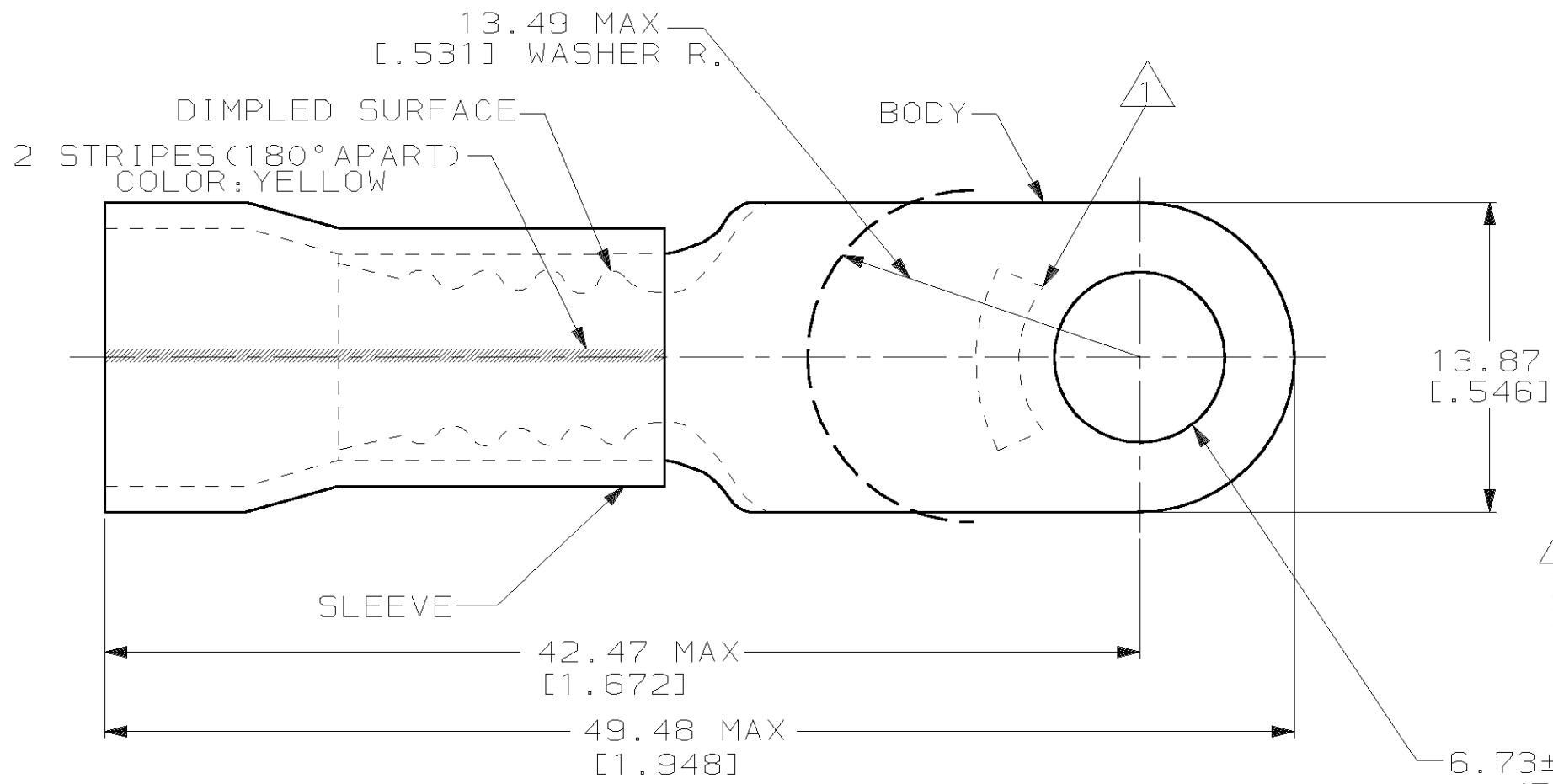


THIS DRAWING IS UNPUBLISHED. RELEASED FOR PUBLICATION ,19 .  
 © COPYRIGHT 19 BY AMP INCORPORATED. ALL INTERNATIONAL RIGHTS RESERVED.

LOC G	DIST 14	P	F	REVISIONS			DATE	APPD
				ZONE	LTR	DESCRIPTION		
					F	REV PER 0G3A-0363-01	10JUL01	JR/TM



**AMP**  
WIRE RANGE

4 AWG  
STRANDED

**METRIC**

DIMENSIONS LISTED IN mm [ INCHES ]

NOTE:

1. STAMP AMP 4\* LOCATE APPROX AS SHOWN
2. TONGUE MATERIAL THK 1.22±0.08 [.048±.003]
3. WIRE INSULATION DIA 13.08 [.515] MAX

100	LOOSE PC	53980-1
QTY	PACKAGE TYPE	PART NO

<b>AMP INCORPORATED CUSTOMER SERVICE SYSTEMS</b>	
FOR ADDITIONAL PRODUCT INFORMATION OR COPIES OF DRAWINGS AND TECHNICAL DOCUMENTS	PRODUCT INFORMATION CENTER 1-800-522-6752
FOR APPLICATION TOOLING INFORMATION	TOOLING ASSISTANCE CENTER 1-800-722-1111
FOR ORDER ENTRY	1-800-526-5142

MAX RECOMMENDED OPERATING TEMPERATURE:  
150°c

VOLTAGE RATING:  
600 V MAX

CIRCULAR MIL AREA:  
16.77-26.65mm<sup>2</sup> [33, 100-52, 600]  
STRANDED

DO NOT SCALE PRINT.  
UNLESS SPECIFIED  
DIMENSIONS IN mm [INCHES]  
TOLERANCES ON:  
2 PLC DEC ± 0.20 [.008]  
3 PLC DEC ± -  
ANGLES ± -

MATERIAL  
COPPER PER ASTM B-152  
PVF<sup>2</sup>, COLOR:NATURAL

FINISH  
TIN/LEAD (93-7) PLATE  
ASTM B545

DR 10-7-93 S.S. GOULDEN
CHK 10-7-93 R. HERSEY
APPD 10-7-93 B. BARE
APPD 10-7-93 M. ELLIS
PRODUCT SPEC NOT AVAILABLE
APPLICATION SPEC NOT AVAILABLE
WEIGHT -

<b>AMP</b> AMP Incorporated Harrisburg, PA 17105-3608		
NAME TERMINAL, RING TONGUE, PVF <sup>2</sup> , PLASTI-GRIP, WIRE SIZE: 4 AWG		
SIZE B	CAGE CODE 00779	DRAWING NO C-53980
SCALE NTS	SHEET 1 OF 1	