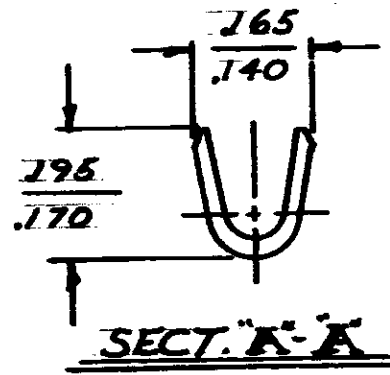
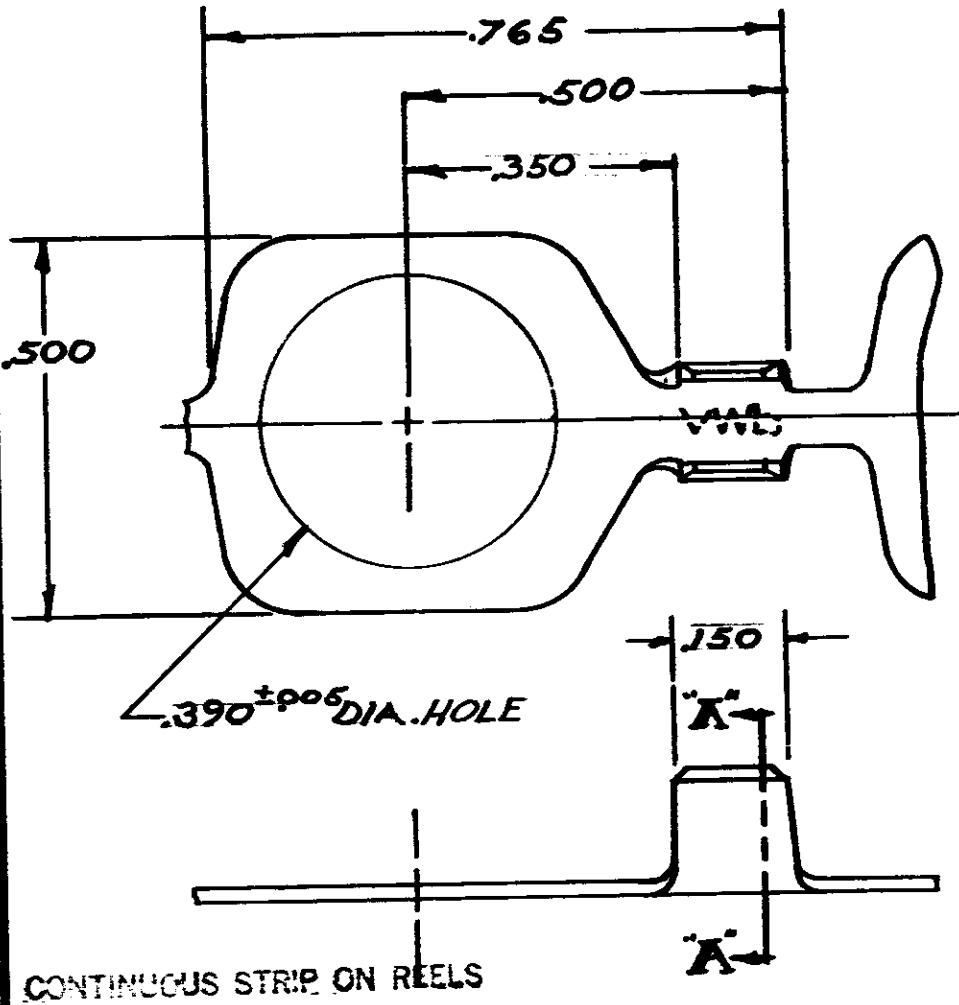


DRAWING MADE IN AMERICAN PROJECTION

NUMBER 61435

5



WIRE SIZE A.W.G.	MATERIAL - FINISH	TERMINAL NUMBER
18-14	.020 BRASS - NONE	61435-1
18-14	.020 BRASS - TIN	61435-2

DIMENSIONS IN INCHES DO NOT SCALE PRINT

Unpublished copy not to be reproduced nor published without written permission of AMP Incorporated

© 1968 BY AMP INCORPORATED. ALL RIGHTS RESERVED. AMP PRODUCTS COVERED BY PATENTS AND/OR PATENTS PENDING.

CUSTOMER COPY REFERENCE ONLY

MATERIAL AND FINISH	
X	
WIRE RANGE	INSULATION
TOLERANCE EXCEPT AS NOTED ± .015 ± 1" 0'	
SCALE	
N	



AMP INCORPORATED HARRISBURG, PENNA.

CLASS	N
TYPE	N
LOC	AF A
NO	61435
REV	C

NAME RING