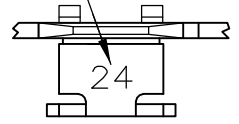


THIS DRAWING IS UNPUBLISHED. RELEASED FOR PUBLICATION
 © COPYRIGHT - BY TYCO ELECTRONICS CORPORATION. ALL RIGHTS RESERVED.

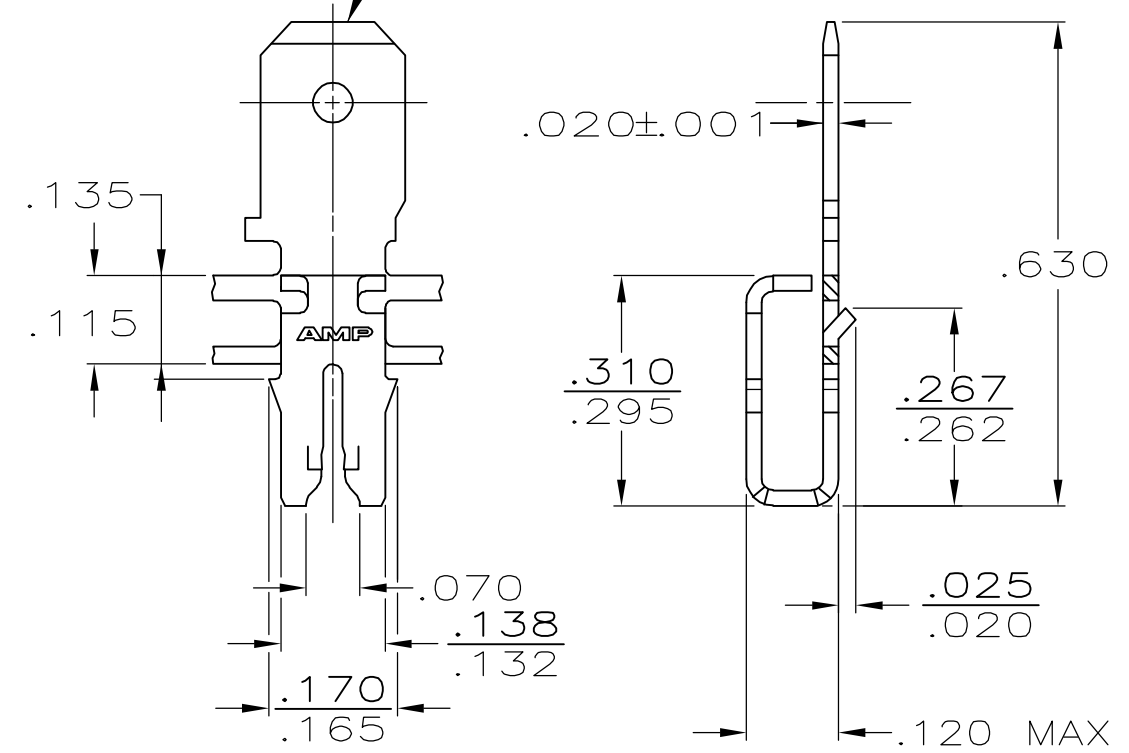
LOC	DIST	REVISIONS			
P	LTR	DESCRIPTION	DATE	DWN	APVD
AF	50	R	REV PER 0G3A-0747-04	08OCT2004	RF KR

- 1 CONTINUOUS STRIP ON REELS WITH TERMINALS LOCATED ON .220 CENTERS.
- △ 2 SLOT ACCEPTS #19-#17 COPPER MAGNET WIRE.
- 3 AFTER INSERTION INTO PLASTIC HOLDER TAB PORTION MUST BE BENT OVER 45° TO 90° OR POTTED TO PREVENT PULL-OUT WHEN MATING RECEPTACLE IS DISCONNECTED.

IDENTIFICATION NUMBER 24 FOR MAGNET WIRE RANGE.



FITS .187 SERIES FASTON RECEPTACLE



∅1.40±0.13
 [∅.055±.003]
 DIMPLE
 BOTH SIDES

SPLICE FREE	62888-2
-	62888-1
REELING	PART NUMBER

THIS DRAWING IS A CONTROLLED DOCUMENT.		DWN MICHAEL S. FEHER 11/7/88	Tyco Electronics Corporation Harrisburg, PA 17105-3608	
DIMENSIONS: INCHES		CHK JEFF R. RUTH 11/9/88	NAME TAB, 187 FASTON, MAG-MATE	
TOLERANCES UNLESS OTHERWISE SPECIFIED:		APVD -	PRODUCT SPEC 108-2012	
0 PLC ± -		APPLICATION SPEC 114-2067	SIZE A3	CAGE CODE 00779
1 PLC ± -		WEIGHT -	DRAWING NO C-62888	RESTRICTED TO -
2 PLC ± -		CUSTOMER DRAWING		
3 PLC ± .010		SCALE 4:1	SHEET 1 OF 1	REV R
4 PLC ± -				
ANGLES ± 1°				
MATERIAL 4M BRASS	FINISH .000080 MIN TIN			