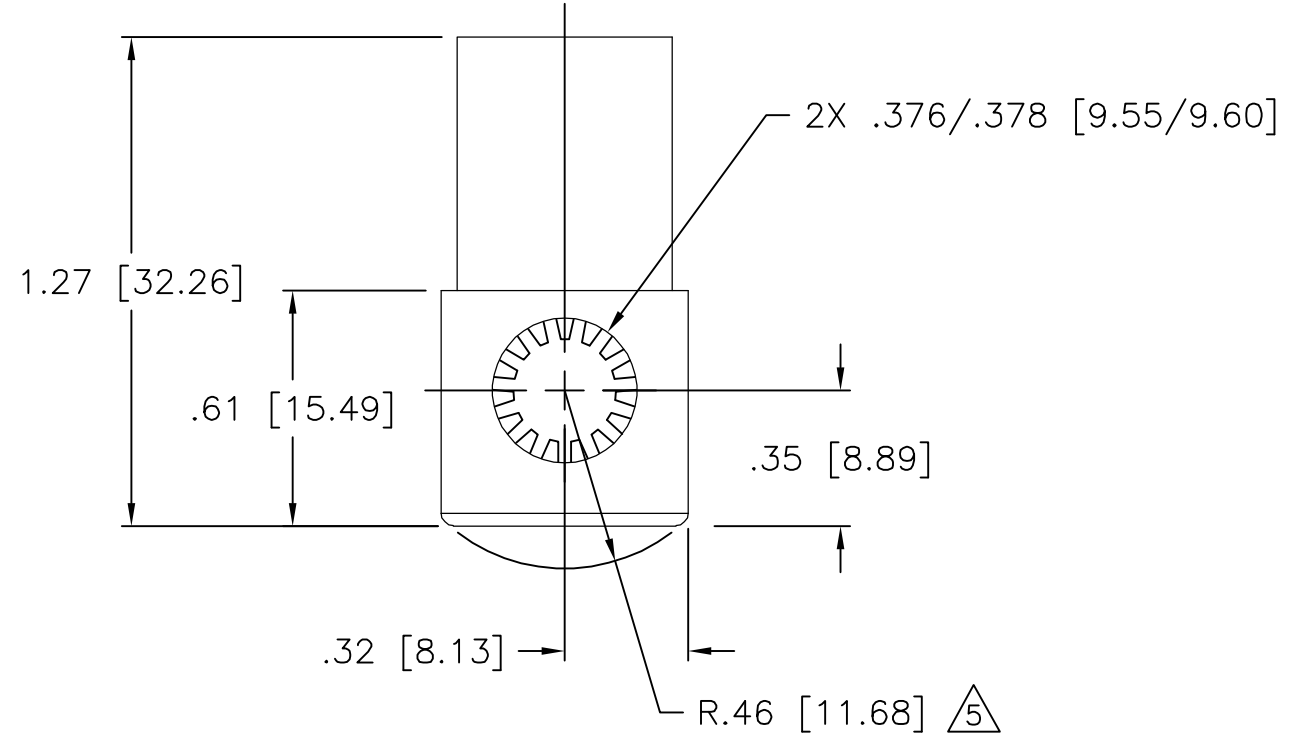
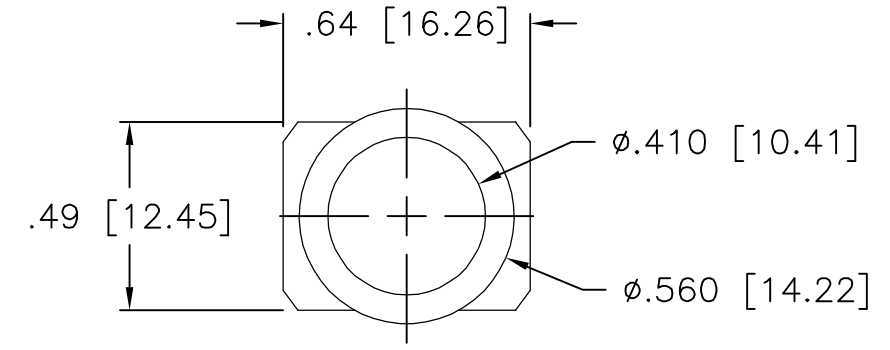


THIS DRAWING IS UNPUBLISHED. RELEASED FOR PUBLICATION
 © COPYRIGHT - BY TYCO ELECTRONICS CORPORATION. ALL RIGHTS RESERVED.

LOC	DIST	REVISIONS					
GP	00	P	LTR	DESCRIPTION	DATE	DWN	APVD
			A	RELEASED	02MAR06	RG	MP



- 6. FOR TERMINATION REFER TO 1926079-1
- △ 5 ROTATION ARC.
- 4. FINISH:
 SOCKET HOUSING - SILVER PLATED .000200 MIN THK.
 OVER ELECTROLESS NICKEL PLATE .000040 MIN THK.
 CROWN - GOLD PLATED .000030 MIN THK OVER
 ELECTROLESS NICKEL PLATE .000040 MIN. THK
- 3. MATERIAL:
 CROWN CONTACT - BERYLLIUM COPPER
 SOCKET HOUSING - TELLURIUM COPPER ALLOY
 INSULATOR - THERMOPLASTIC, 94V-0, COLOR PER TABLE
- 2. ITEMS PROVIDED TO THIS SPECIFICATION SHALL BE IDENTIFIED ON THE CONTAINER WITH THE FOLLOWING INFORMATION:
 PART NUMBER AND DATE CODE OF MANUFACTURE.
- 1. PART NUMBER CHANGES AND/OR DESIGN CHANGES AFFECTING ITEM INTERCHANGEABILITY REQUIRE PRIOR TYCO APPROVAL AND AUTHORIZATION BY REVISION TO THIS DRAWING.

BLUE	6648238-3
RED	6648238-2
BLACK	6648238-1
COLOR	PART NUMBER

THIS DRAWING IS A CONTROLLED DOCUMENT.		DWN R.GRZYBOWSKI 03MAR2006	Tyco Electronics Corporation Harrisburg, PA 17105-3608	
DIMENSIONS: INCHES	TOLERANCES UNLESS OTHERWISE SPECIFIED:	CHK M.PERCHERKE 02MAR06	NAME JUMPER, CROWN SOCKET SIZE #2 WITH #2 CRIMP BARREL	
	0 PLC ± -	APVD M.PERCHERKE 02MAR06	PRODUCT SPEC	
	1 PLC ± -		APPLICATION SPEC	
	2 PLC ± .02		SIZE	CAGE CODE
	3 PLC ± .006		A3	00779
	4 PLC ± -		DRAWING NO	C=6648238
	ANGLES ± .5		RESTRICTED TO	-
MATERIAL	FINISH	WEIGHT	CUSTOMER DRAWING	
-	-	-	SCALE	1:1
RAPID LOCK		ELCON		SHEET 1 OF 1
				REV A