

MATERIALS AND FINISHES

BODY, JAMNUT: BRASS
PLATED: NICKEL

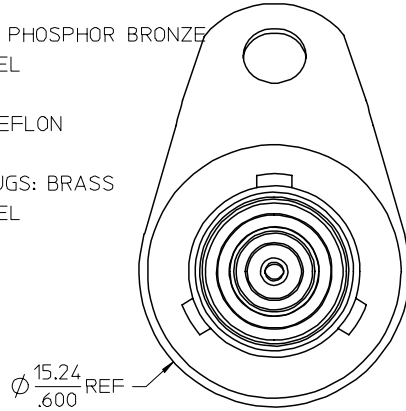
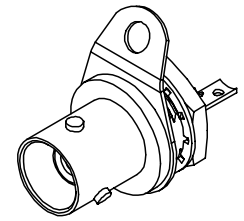
CENTER CONTACT: BeCu
PLATED: GOLD

INTERMEDIATE CONTACT: BRASS
PLATED: GOLD

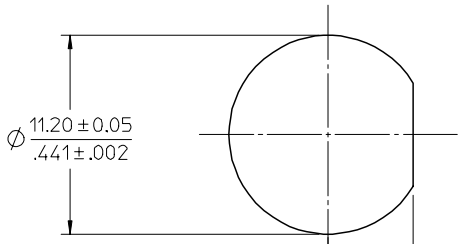
LOCKWASHER: PHOSPHOR BRONZE
PLATED: NICKEL

INSULATOR: TEFLON

GROUNDING LUGS: BRASS
PLATED: NICKEL

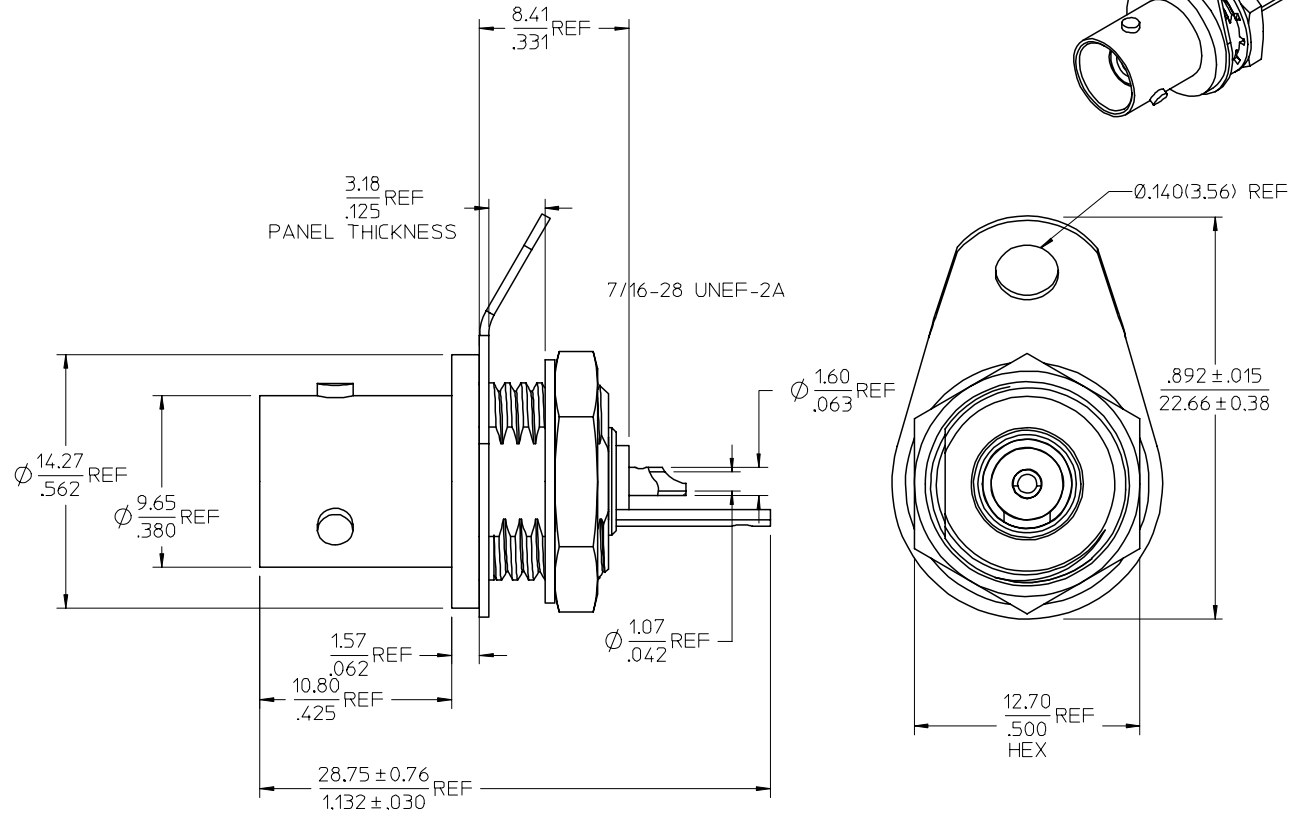


$\phi 15.24$
.600 REF



$\phi 11.20 \pm 0.05$
.441 \pm .002

RECOMMENDED PANEL
CUTOUT



MIL-STD-348A, FIG 201-2	INTERFACE SPECIFICATION
SPECIFICATION	DESCRIPTION

73175-0011	73175-0010, ONE PER BAG
73175-0010	BULK
PART NO.	PACKAGING

CHG: ADDED P/N 73175-0011 EC NO: URF2007-0326 DRAWN: FLAHERTY 2007/03/14 CHKD: SHAH 2007/03/14 APPR: JIMENER 2007/03/14 A2	QUALITY SYMBOLS ▽=0 ▽=0	GENERAL TOLERANCES (UNLESS SPECIFIED)		DIMENSION STYLE MM/IN		SCALE	DESIGN UNITS	THIRD ANGLE PROJECTION		
		4 PLACES	±	---	±	---	DRAWN BY		DATE	TITLE
		3 PLACES	±	---	±	---	SSS		2003/06/03	TRIAx JACK BKHD SOLDER POT W/GRND LUGS TRIAX-JC
		2 PLACES	±	---	±	---	CHECKED BY		DATE	MOLEX INCORPORATED
1 PLACE	±	---	±	---	TEF	2003/06/03				
ANGULAR $\pm 2^\circ$		DRAFT WHERE APPLICABLE MUST REMAIN WITHIN DIMENSIONS		SEE TABLE		APPROVED BY SSS DATE 2003/10/06	MATERIAL NO. DOCUMENT NO. SD-73175-001	SHEET NO. 1 OF 1		