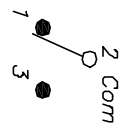


RECOMMENDED P.C.B. LAYOUT

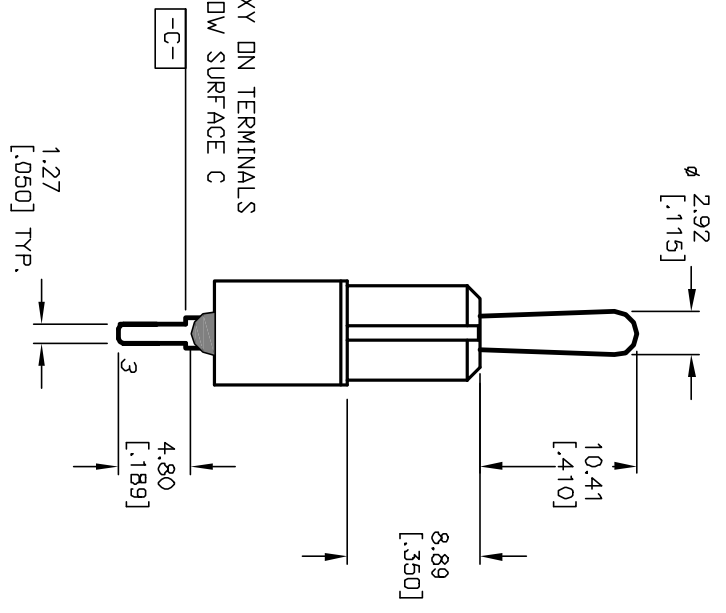
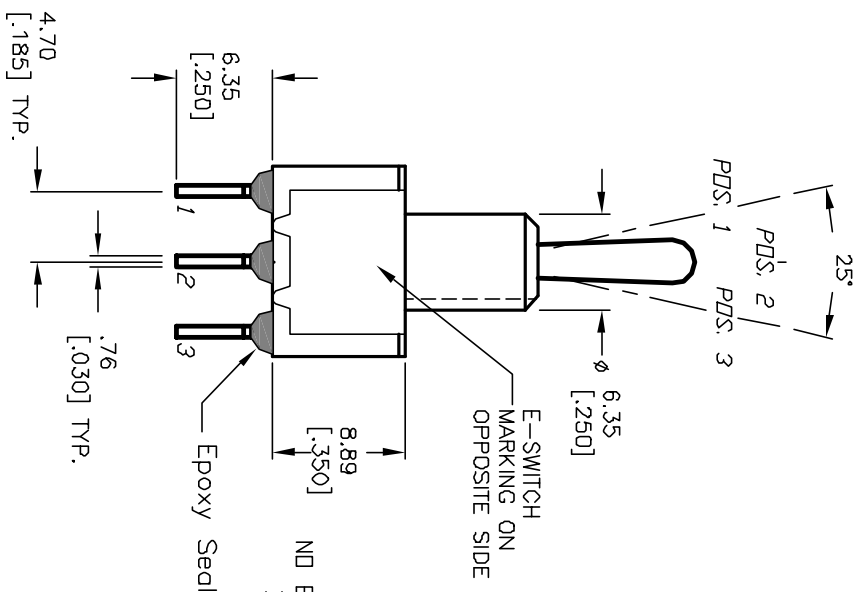


CIRCUIT: SPDT

SWITCH FUNCTION		
PDS, 1	PDS, 2	PDS, 3
DN	OFF	DN
2-3	OPEN	2-1

NOTES:

1. ALL DIMENSIONS IN MM [INCH]
2. GENERAL TOLERANCE: X.X=±0.4
X.XX=±0.25
3. TERM. NDS. FOR REF. ONLY
4. RATING: 0.4V @20V AC or DC max.
5. FIXED TERMINAL/MOVING CONTACT:
Copper Alloy W/GOLD Plate over Nickel plate.
6. ELECTRICAL LIFE: 50,000 make-and-break cycles at full load.
7. INSULATION RESISTANCE: 1,000M ohm min.
8. DIELECTRIC STRENGTH: 1000V RMS @sea level
9. OPERATING TEMP.: -30°C to +85°C



REV.	ECN No.	DESCRIPTION	DATE	CHK'D
B	12194	REVISED AND REDRAWN	6/4/02	CJB

TITLE	SCALE	DATE	DR	DWG	REV
100 SP-3 T1 B2 M2 R E (GOLD CONTACTS)	2:1	6/4/02	CJB	T111596	B

THE INFORMATION CONTAINED IN THIS DOCUMENT IS PREPARED FOR E-SWITCH AND IS NOT TO BE COPIED OR TRANSMITTED