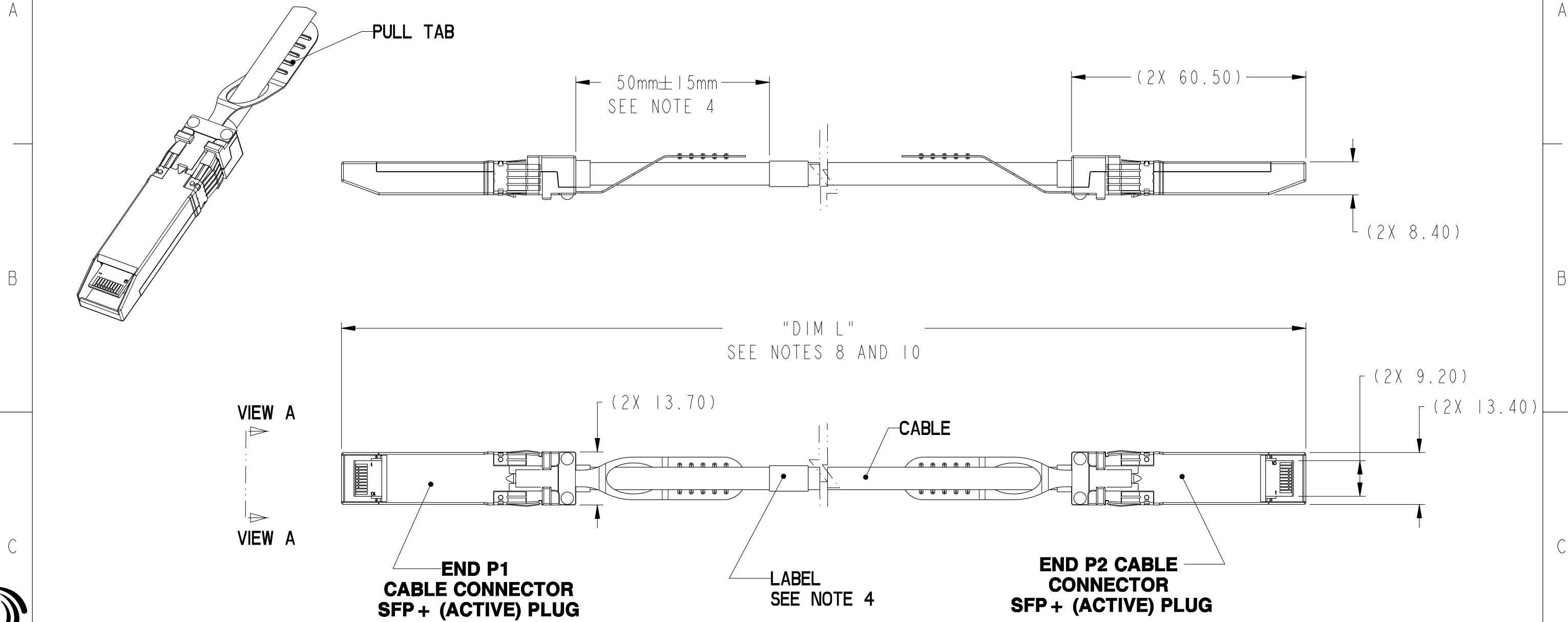


Product number	DESCRIPTION	NOTES
10110819-XXXXLF	NON-HF	SEE SHT. 2
10110819-XXXXHFLF	HALOGEN FREE (HF)	SEE SHT. 2




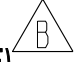
Copyright FCI.

rev	ecn no	dr	date
A	V10-0242	DHL	2010-07-19
B	V10-0361	DAI	2010-09-16
-	-	-	-
-	-	-	-
-	-	-	-
-	-	-	-

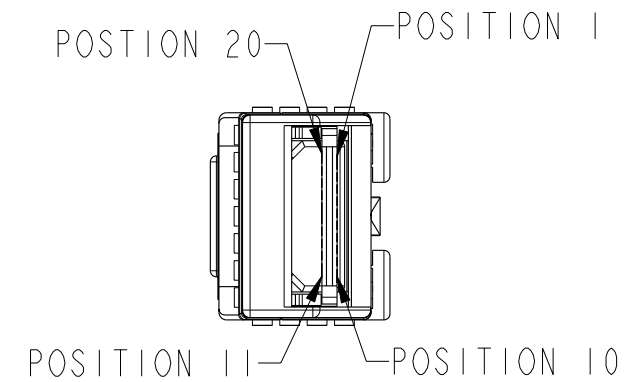
www.fciconnect.com		surface - ✓	tolerance std	projection	mm
		TOLERANCES UNLESS OTHERWISE SPECIFIED			←→
Dr	D. INGRAM	2009-12-15	ANGULAR	0.X	±0.3
Eng	B. BRUBAKER	2009-12-15	LINEAR	0.XX	±0.10
Chr	B. BRUBAKER	2009-12-15	0° ±2°	0.XXX	±0.050
Appr	B. BRUBAKER	2009-12-15	Product family	SFP+	Spec ref
FCI			FINAL ASSEMBLY - STANDARD		dwg no
			SFP+ (ACTIVE) ASSEMBLY		10110819
			catalog no	CUSTOMER	sheet 1 of 3

REV F - 2006-04-17

PART NUMBER 	LENGTH (Meters) "DIM L"	AWG	NOTES
10110819-2010LF	1.0	30	NOTE 11
10110819-2030LF	3.0	30	NOTE 11
10110819-2050LF	5.0	30	NOTE 11
10110819-2070LF	7.0	30	NOTE 11
10110819-2080LF	8.0	30	NOTE 11
10110819-3100LF	10.0	28	NOTE 11
10110819-5100LF	10.0	24	NOTE 11

PART NUMBER  (HALOGEN FREE)	LENGTH (Meters) "DIM L"	AWG	NOTES
10110819-2010HFLF	1.0	30	NOTE 5
10110819-2030HFLF	3.0	30	NOTE 5
10110819-2050HFLF	5.0	30	NOTE 5
10110819-2070HFLF	7.0	30	NOTE 5
10110819-2080HFLF	8.0	30	NOTE 5
10110819-3100HFLF	10.0	28	NOTE 5
10110819-5100HFLF	10.0	24	NOTE 5

WIRING LIST				
END P1			END P2	
POSITION	SYMBOL		POSITION	SYMBOL
12	RD-	←-----	19	TD-
13	RD+	←-----	18	TD+
18	TD+	-----→	13	RD+
19	TD-	-----→	12	RD-



VIEW A (P1)
SCALE 2:1

LOW SPEED SIGNALS P1 & P2	
END P1	
POSITION	SYMBOL
1	VeeT
2	TX_Fault
3	Tx_Disable
4	MOD_DEF(2)
5	MOD_DEF(1)
6	MOD_DEF(0)
7	RateSelect
8	LOS
9	VeeR
10	VeeR
11	VeeR
14	VeeR
15	VccR
16	VccT
17	VeeT
20	VeeT



Copyright FCI.

	title	FINAL ASSEMBLY - STANDARD	dwg no	10110819	Rev.	B
		SFP+ (ACTIVE) ASSEMBLY				
	catalog no	-	CUSTOMER	sheet 2 of 3		

Product number	DESCRIPTION	NOTES
10110819-XXXXLF	NON-HF	SEE SHT. 2
10110819-XXXXHFLF	HALOGEN FREE (HF)	SEE SHT. 2

NOTES:

- 1 - MATERIAL:
 BACKSHELLS: ZINC ALLOY/ COPPER UNDERPLATE/ NICKEL OVERPLATE
 PULL TAB: THERMOPLASTIC POLYMER
 RELEASE SPRING: STAINLESS STEEL
 EMI GASKET: STAINLESS STEEL
 COLLET: BRASS
 SCREWS: STAINLESS STEEL
 PADDLE CARD: PRINTED CIRCUIT SUBSTRATE
 JET MELT: POLYIMIDE POLYMER
- 2 - THIS PRODUCT MEETS THE RESTRICTION OF HAZARDOUS SUBSTANCES IN ELECTRICAL AND ELECTRONIC EQUIPMENT (RoHS) DIRECTIVE (2002/95/EC)
- 3 - IMPEDANCE: 100 OHMS DIFFERENTIAL.

- 4 - UNLESS OTHERWISE SPECIFIED LABEL POSITION IS TO BE 50mm FROM REAR OF CONNECTOR.
 LABEL DETAILS:
 MANUFACTURER CODE OR NAME COUNTRY ORIGIN
 FCI P/N
 REVISION
 DATE CODE (YY/MM/DD FORMAT) - SERIAL NUMBER

FONT SHALL BE CLEARLY VISIBLE AND BLACK IN COLOR.

- 5 - "HF" PRODUCT NUMBERS DESIGNATE THE USE OF HALOGEN FREE RAW CABLE.
- 6 - CONFORMS TO FCI PRODUCT SPECIFICATION: GS-12-616.
- 7 - PACKAGING OF LEAD FREE PRODUCTS MEETS LABELING AND PACKAGING PER SPECIFICATION GS-14-920. PACKAGE CABLE ASSEMBLIES PER GS-14-1272.
- 8 - THIS DIMENSION IS A FINISHED PRODUCT LENGTH.
9. A "△" SYMBOL WILL BE NEXT TO ANY DIMENSION, VIEW, OR NOTE WHICH HAS BEEN MODIFIED WITH THE CURRENT DRAWING REVISION. THE CURRENT REVISION WILL BE SHOWN IN THE SYMBOL.

- △ 10 - UNLESS OTHERWISE SPECIFIED ASSEMBLED LENGTH TOLERANCE IS TO BE:
 < 1 METER = ±25.0mm
 > 1 METER TO 10 METERS = ±2% OF "DIM L"

- 11 - HALOGEN FREE RAW CABLE CAN BE USED AS A SUBSTITUTE ON NON-HF PRODUCT NUMBERS.



Copyright FCI.

	title FINAL ASSEMBLY - STANDARD SFP+ (ACTIVE) ASSEMBLY	dwg no 10110819	Rev. B
	catalog no -	CUSTOMER	sheet 3 of 3