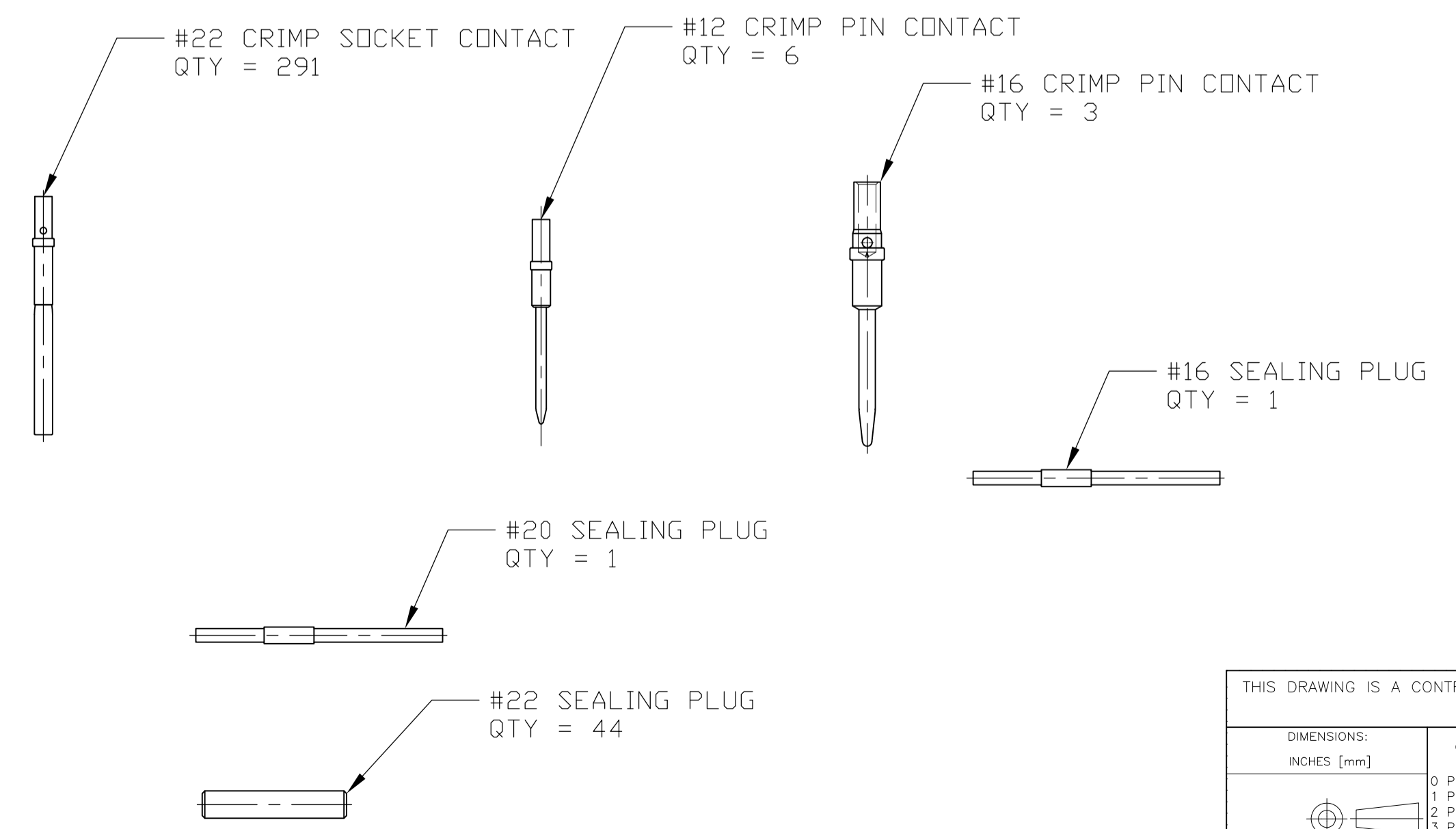
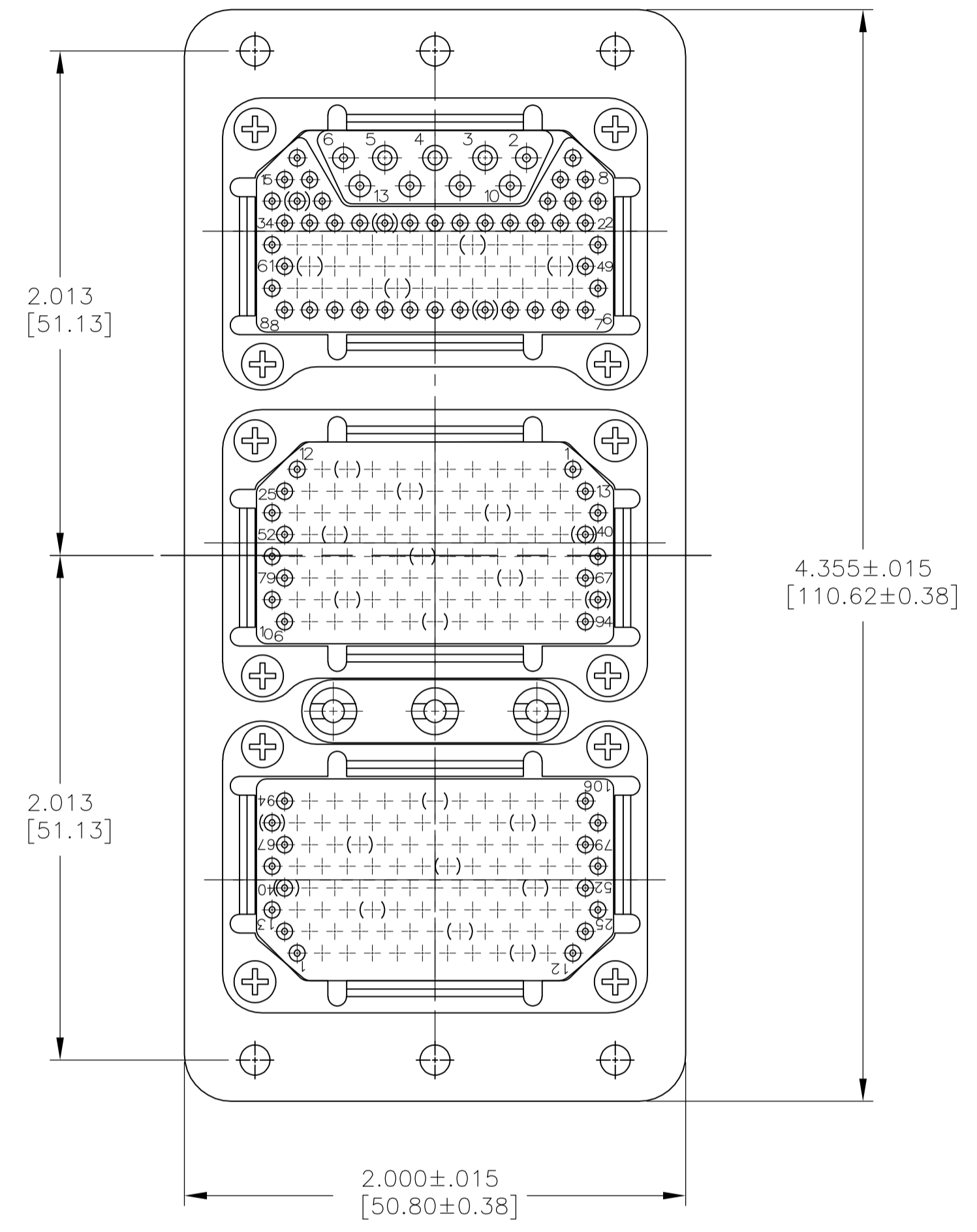
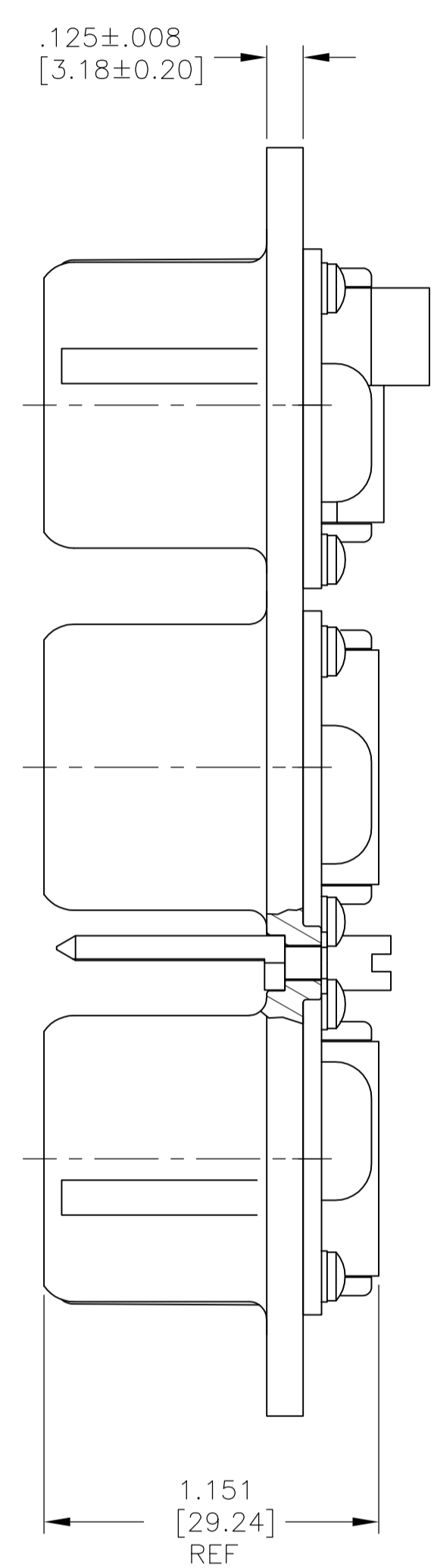
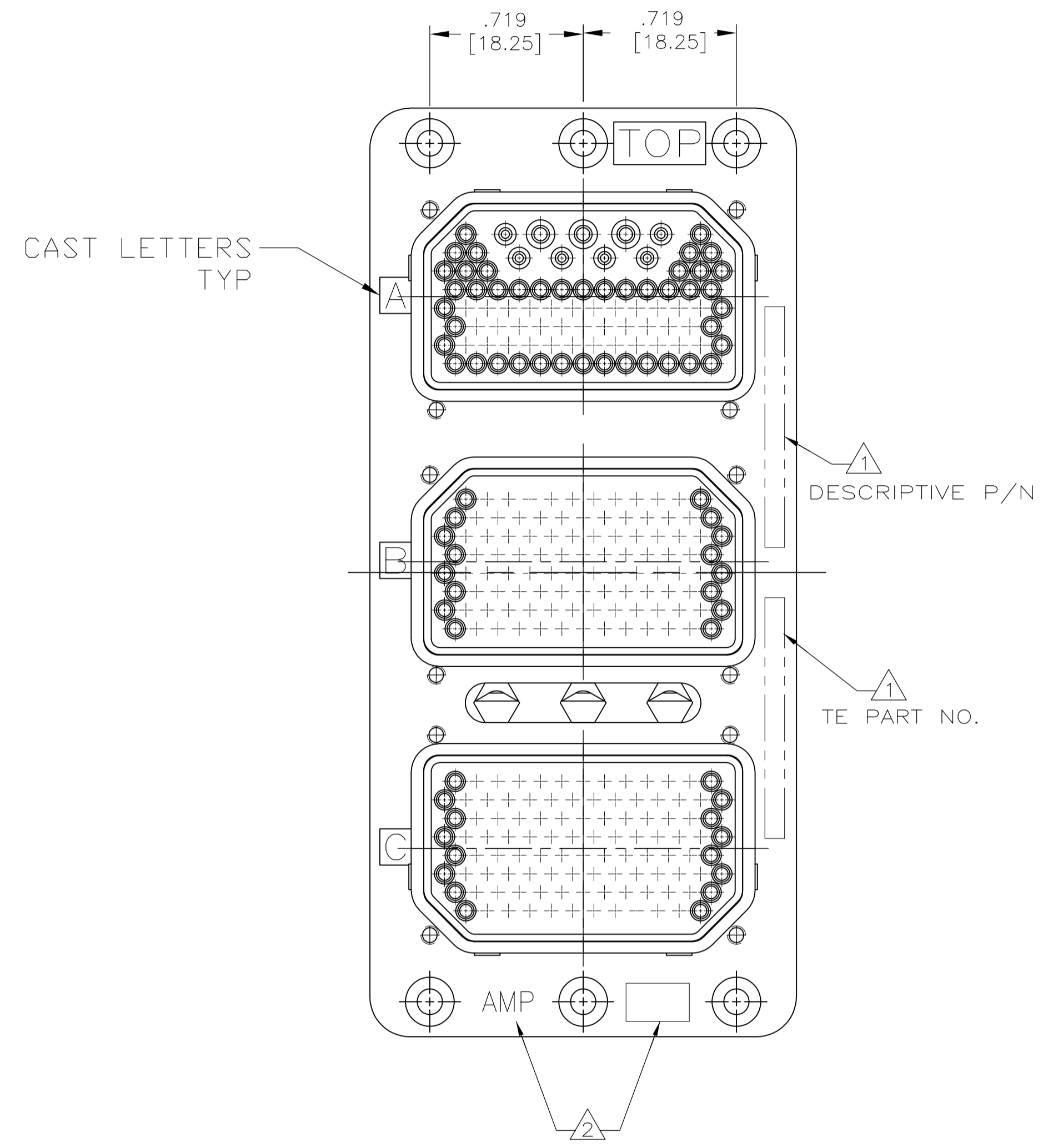


LOC		DIST		REVISIONS			
P	LTR	DESCRIPTION	DATE	DN	APVD		
A		RELEASED	3-13-14	CT	DE		

- TE PART NO. AND DESCRIPTIVE PART NO. MARKED IN THESE AREAS.
- "AMP" AND DATE CODE MARKED IN THIS AREA.
- KEYING ASSEMBLED IN THE "01" POSITION.
- MATERIAL AND FINISH:
SHELL: DIE CAST ALUMINUM ALLOY PER FED. SPEC QQ-A-591.
STANDARD FINISH: CADMIUM PLATE PER QQ-P-416, TYPE I,
CLASS 2 YELLOW CHROMATE CONVERSION.
INSERT RETENTION PLATE: ALUMINUM ALLOY, BLUE ANODIZE
PER MIL-A-8625.
SCREWS AND WASHERS: STAINLESS STEEL, PASSIVATED.
POLARIZING POSTS: STAINLESS STEEL, PASSIVATED.
POLARIZING NUTS: BRASS, CADMIUM PLATED.



1218358-1
PART NUMBER

THIS DRAWING IS A CONTROLLED DOCUMENT.		DN C.C.THOMAS	3-13-14	 TE Connectivity
DIMENSIONS: INCHES [mm]		CHK D.FARY	3-13-14	
TOLERANCES UNLESS OTHERWISE SPECIFIED:		APVD D.FARY	3-13-14	NAME ASSY,ARINC 404,RME3P88S106S106S-0001 (400)
0 PLC ± -		PRODUCT SPEC		
1 PLC ± -		APPLICATION SPEC		
2 PLC ± -		WEIGHT		
3 PLC ± .010 [0.25]		SIZE	A1	CAGE CODE
4 PLC ± -		DRAWING NO	00779	D=1218358
ANGLES ± -		RESTRICTED TO		
MATERIAL	FINISH	CUSTOMER DRAWING	SCALE	2:1
		SHEET	1	OF 1
		REV		A