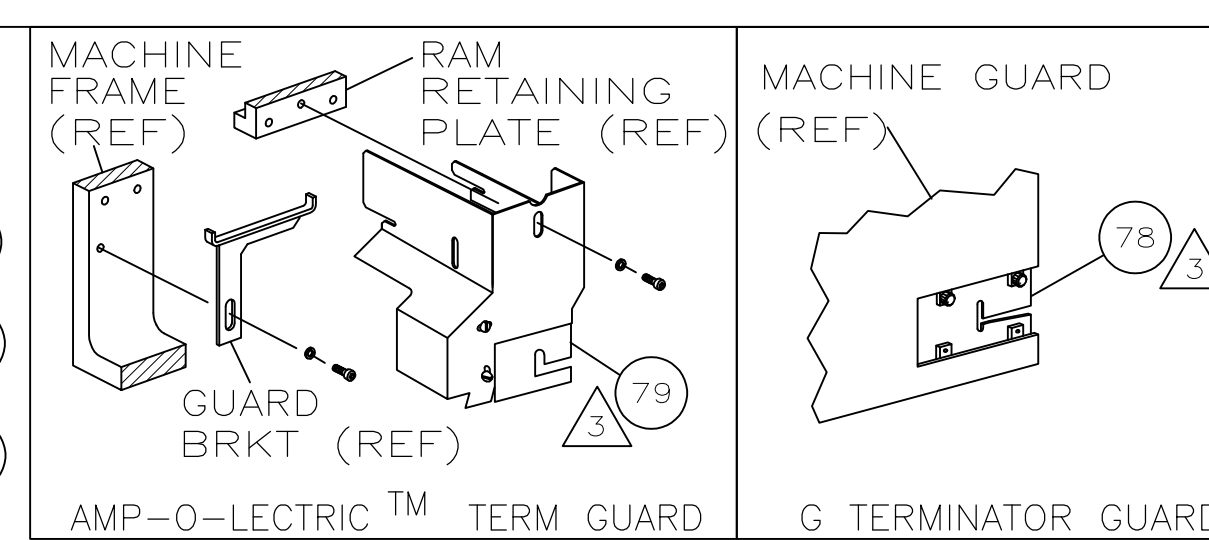
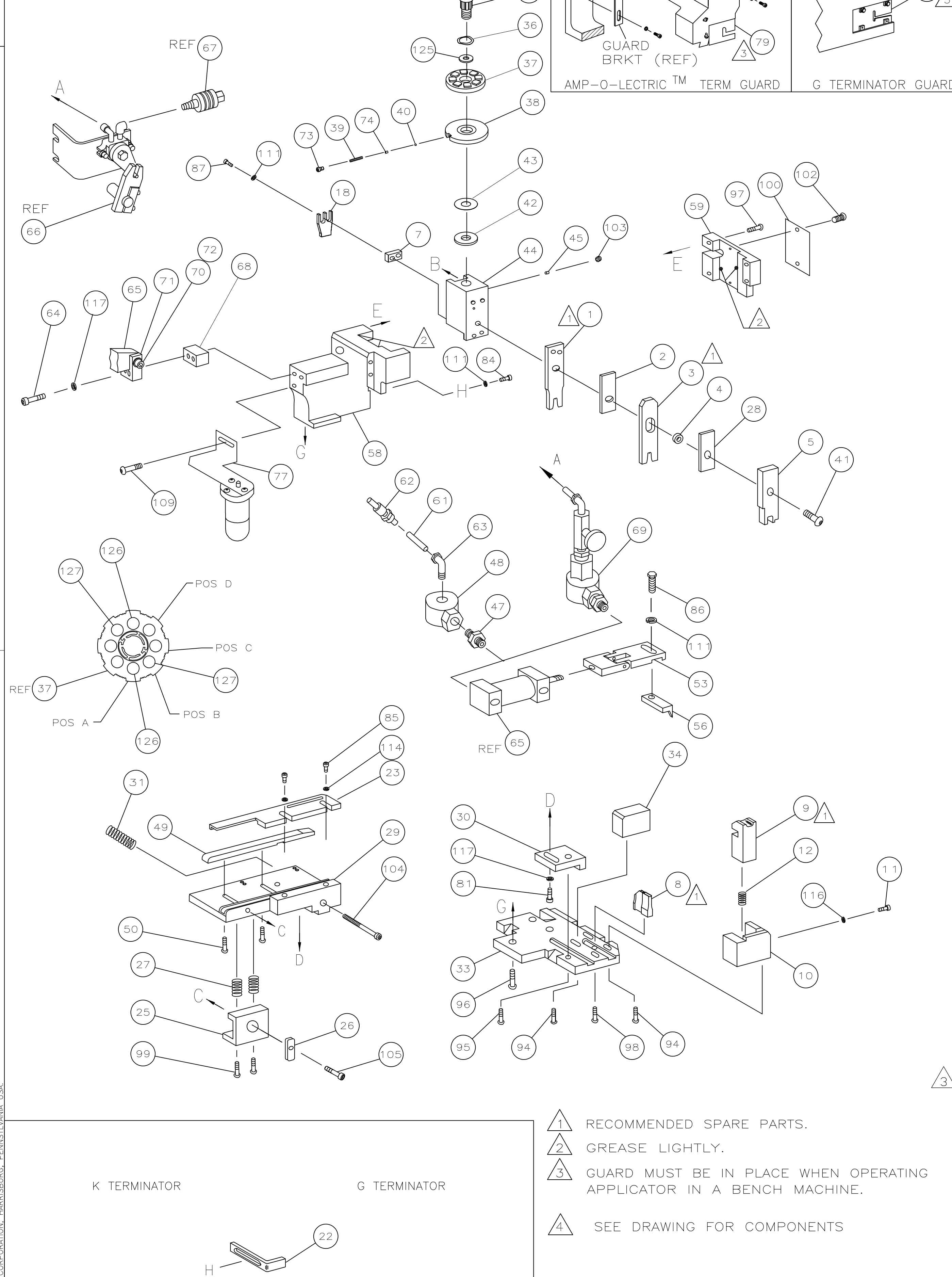


THIS DRAWING IS A CONTROLLED DOCUMENT.

THIS INFORMATION IS CONFIDENTIAL AND PROPRIETARY TO TYCO ELECTRONICS CORPORATION AND ITS WORLDWIDE SUBSIDIARIES AND AFFILIATES. IT MAY NOT BE DISCLOSED TO ANY OTHER PARTY WITHOUT THE WRITTEN AUTHORIZATION OF TYCO ELECTRONICS CORPORATION, HARRISBURG, PENNSYLVANIA, USA.

PART NUMBER	REV	FIRST USED
1385368-1	B	122500-1
1385368-2	B	565435-5
1385368-3	B	354500-1



TERMINAL NAME: AMP MCP9.5 FLAT TYPE RECEPTACLE					
1-967588-1					
		AMP TERMINAL		AMP CRIMP SPECS	
PAD LTR		CRIMP HEIGHT		WIRE SIZE	
A		.151 ±.002 [3.84 ±0.05mm]		10 mm <sup>2</sup>	
B		.139 ±.002 [3.53 ±0.05mm]		8 mm <sup>2</sup>	
C		.127 ±.002 [3.23 ±0.05mm]		6 mm <sup>2</sup>	
D		NOT		USED	
		CRIMP	SIZE	TYPE	RANGE
WIRE		.200	[5.08mm]	F	6-10mm <sup>2</sup>
INSUL		.300	[7.62mm]	F	4.6-6.4mm
WIRE STRIP LENGTH	TERM APPL SPEC	FEED	APPL INSTRUCTION	SET UP GAGE	LAYOUT
.394	114-18269	1.280	408-8040	458637-1	L2616

REV	DESCRIPTION	DATE
-1	LEADMAKER	AIRFEED
-2	BENCH MODEL K	AIRFEED
-3	BENCH MODEL G	AIRFEED

QTY	REV	DESCRIPTION	ITEM NO			
2	2	2	5-354779-0	PIN, WIRE DISC (.3240)C	129	
2	2	2	2-354779-6	PIN, WIRE DISC (.3120)B	127	
2	2	2	9-354778-7	PIN, WIRE DISC (.2980)A	126	
1	1	1	986950-1	WASHER, FLAT PRECISION	125	
1	1	1	217238-1	GENERAL INSTRUCTION PACKAGE	124	
1	1	1	4088040	SF APPL INST 408-8040	123	
					122	
					121	
					120	
					119	
					118	
3	3	3	21024-5	WASHER, LOCK(#10)ADJ BLOCK	117	
1	1	1	21024-3	WASHER, LOCK(#6)	116	
					115	
2	2	2	21024-2	WASHER,LOCK(#4)FRONT STP GUIDE	114	
					113	
4	4	4	21024-4	WASHER,LOCK(#8)STRIPPER	111	
					110	
-	1	-	2-21002-6	SCR,BHC(10-32x.38)LUBE ASSY	109	
					108	
					107	
					106	
1	1	1	22353-8	SCR,SHLD(Ø.187x.25)DRAG LEVER	105	
1	1	1	8-21000-7	SCR,SHC(10-32x2.00)	104	
1	1	1	21009-2	SCR,SKT SET(1/4-20x.25 LW)RAM	103	
2	2	2	21017-2	SCR,DRIVE(#2x.19)ID PLATE	102	
					101	
1	1	1	461264-1	PLATE, IDENTIFICATION	100	
2	2	2	3-21002-0	SCR,BHC(10-32x.88)DRAG	99	
1	1	1	22733-8	SCR,BHC(8-32x.38 LW)ANVIL	98	
4	4	4	2-21002-9	SCR,BHC(10-32x.75)CAP	97	
3	3	3	2-22733-8	SCR,BHC(1/4-20x.62)HSG	96	
1	1	1	2-21002-7	SCR,BHC(10-32x.50)SG ADJ BLK	95	
4	4	4	2-21002-2	SCR,BHC(8-32x.50)TERM H DWN	94	
					93	
					92	
					91	
					90	
					89	
					88	
2	2	2	2-21000-9	SCR,SHC(8-32x.75)DEP-HOLD	87	
1	1	1	2-22603-1	SCR,HEX HD(8-32x.38)FEED FINGER	86	
2	2	2	6-21000-8	SCR,SHC(4-40x.88)FR ST GUIDE	85	
1	1	1	2-21000-7	SCR,SHC(8-32x.50)STRIPPER	84	
					83	
					82	
1	1	1	3-21000-4	SCR,SHC(10-32x.38)SG ADJ BL	81	
					80	
-	1	-	2-462992-0	GUARD ASSY	79	
1	-	-	354529-3	INSERT, GUARD	78	
-	1	-	1-465184-0	LUBRICATOR ASSY	77	
					76	
					75	
1	1	1	690603-1	SPRING, ASSIST	74	
1	1	1	23030-1	SCR,SHC(6-32x.25 SL)INS DISC	73	
1	1	1	3-21000-5	SCR,SHC(10-32x.50)FEED MT	72	
1	1	1	459610-3	MOUNT, FEED BRACKET	71	
-3	-2	-1	U/M	PART NO	DESCRIPTION	ITEM NO

QTY	REV	DESCRIPTION	ITEM NO			
1	1	1	21024-8	WASHER,LOCK(3/8)FEED BRKT	70	
-	1	-	692655-5	AIR FEED VALVE ASSY	69	
1	1	1	461690-1	SPACER, AIR FEED	68	
-	REF	-	24042-2	VALVE, SHUT OFF	67	
-	REF	-	692655-6	AIR FEED VALVE ASSY	66	
1	1	1	461065-2	AIR FEED ASSY (2 INCH)	65	
2	2	2	4-21000-3	SCR,SHC(10-32x2.00)AIR ASSY	64	
1	-	1	980285-2	ELBOW, SWIVEL 1/8 NPT - 1/4 T	63	
1	-	1	23238-1	QUICK DISCONNECT	62	
36.00	-	21.00	IN	27319-4	TUBING, POLY-FLO Ø.25	61
					60	
1	1	1	454220-1	CAP, RAM	59	
1	1	1	454485-1	HOUSING	58	
					57	
1	1	1	3-694433-1	PAWL, FEED	56	
					55	
					54	
1	1	1	461062-1	FEED FINGER ASSY	53	
					52	
					51	
2	2	2	1-21002-3	SCR, BTN, 4-40 x .25	50	
1	1	1	1633580-6	FENCE	49	
1	-	1	22374-7	VALVE, QUICK EXHAUST	48	
1	-	1	22304-1	NIPPLE, HEX 1/8 NPT	47	
					46	
1	1	1	690191-1	PLUG, NYLON	45	
1	1	1	1-819307-0	RAM	44	
1	1	1	690125-1	WASHER, LAMINATED	43	
1	1	1	1-690124-5	WASHER, RAM	42	
1	1	1	7-21002-9	BOLT, CRIMPER(5/16x1.00)	41	
1	1	1	23241-6	BALL, STEEL	40	
1	1	1	690170-1	SPRING, COMPRESSION	39	
1	1	1	1-690142-1	DISC, INSULATION	38	
1	1	1	354777-1	WIRE DISC, PLASTIC	37	
1	1	1	22480-5	WASHER, SPRING	36	
1	1	1	690212-1	POST, RAM	35	
1	1	1	3-690786-7	SUPPORT, TERMINAL	34	
1	1	1	455675-1	PLATE, BASE	33	
					32	
1	1	1	5-22282-3	SPRING, COMPRESSION	31	
1	1	1	455689-1	BLOCK, STRIP GUIDE ADJ	30	
1	1	1	1633087-7	PLATE, STRIP GUIDE	29	
1	1	1	455888-8	SPACER, FRONT SHEAR DEP	28	
2	2	2	1-22284-0	SPRING, DRAG	27	
1	1	1	240793-1	LEVER, DRAG RELEASE	26	
1	1	1	240792-1	DRAG, TERMINAL	25	
					24	
1	1	1	1490899-1	GUIDE, STRIP (FRONT)	23	
1	1	1	2-690472-0	STRIPPER	22	
					21	
					20	
					19	
1	1	1	3-690518-1	HOLDER, TERMINAL	18	
					17	
					16	
					15	
					14	
					13	
1	1	1	5-22280-0	SPRING, SHEAR	12	
1	1	1	1-21000-9	STOP, SHEAR	11	
1	1	1	2-690459-3	HOLDER, SHEAR (FRONT)	10	
1	1	1	2-454276-4	SHEAR, FLOAT (FRONT)	9	
1	1	1	2-318088-0	ANVIL	8	
1	1	1	5-240641-6	SPACER, DEPRESSOR (REAR)	7	
					6	
1	1	1	3-455889-9	DEPRESSOR, SHEAR (FRONT)	5	
1	1	1	3-238011-1	SPACER, BLOCK CRIMPER	4	
1	1	1	4-1213077-3	CRIMPER, INSULATION	3	
1	1	1	2-455888-2	SPACER, CRIMPER	2	
1	1	1	8-458141-2	CRIMPER, WIRE	1	
-3	-2	-1	U/M	PART NO	DESCRIPTION	ITEM NO

- 1 RECOMMENDED SPARE PARTS.
- 2 GREASE LIGHTLY.
- 3 GUARD MUST BE IN PLACE WHEN OPERATING APPLICATOR IN A BENCH MACHINE.
- 4 SEE DRAWING FOR COMPONENTS

LOC A  
DIST 66

REV	DESCRIPTION	DATE	BY	CHK
B	ECR-11-005409	3-2011	MY	TE

QTY	REV	DESCRIPTION	ITEM NO
-3	-2	-1	U/M

DWN	R. KNEPPER	12FEB02	MATERIAL	-	HEAT TREAT	-
CHK	T.ELBIN	03APR02				
APVD	T.ELBIN	12FEB02				
SIDE FEED HDM APPLICATOR						
SCALE	A1	DRAWING NO	1385368	SHEET	1 of 1	REV
						B

CUSTOMER ACCESSIBLE PRODUCTION DRAWING