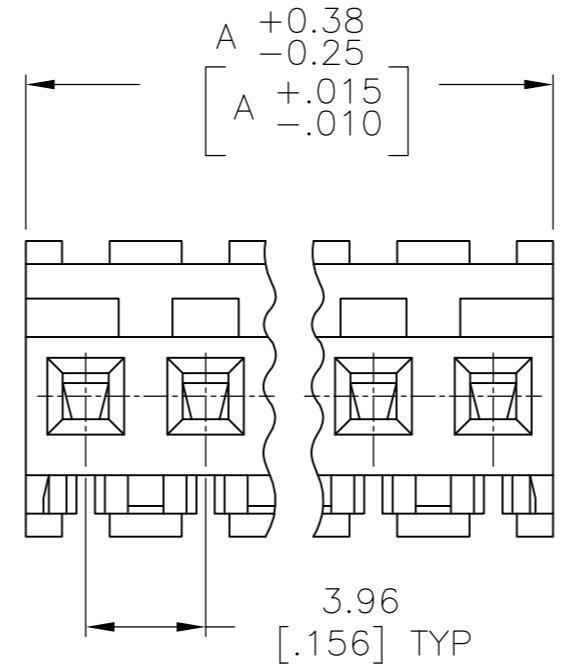
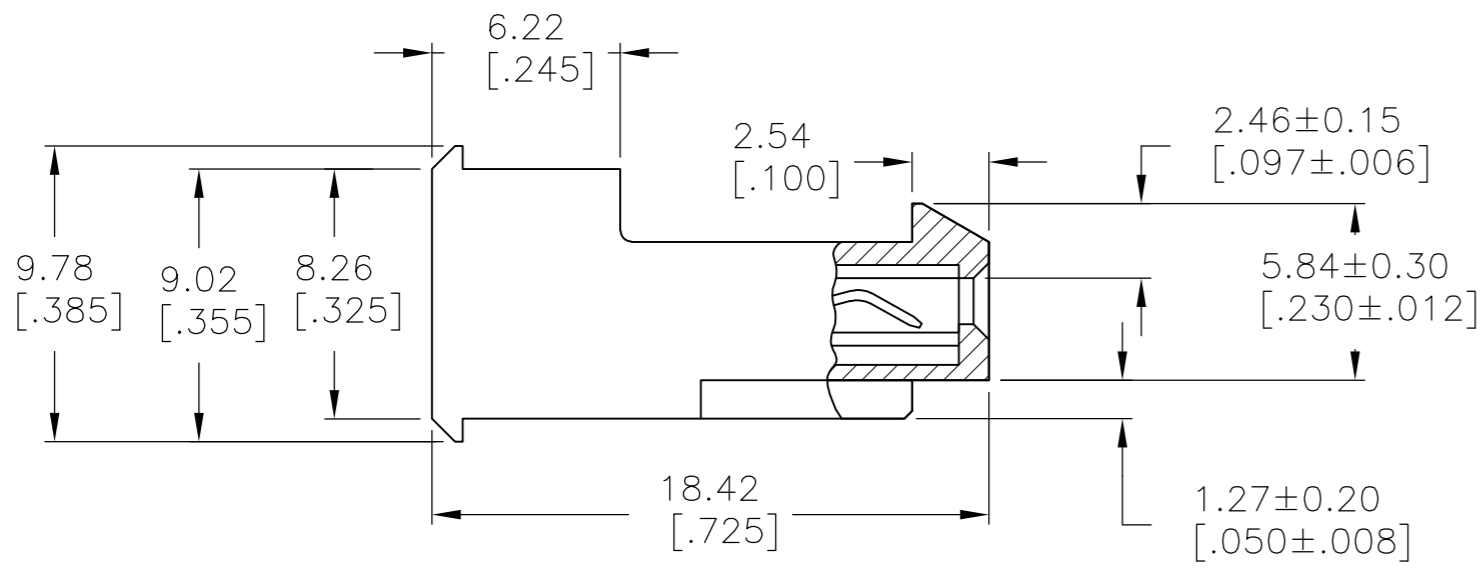
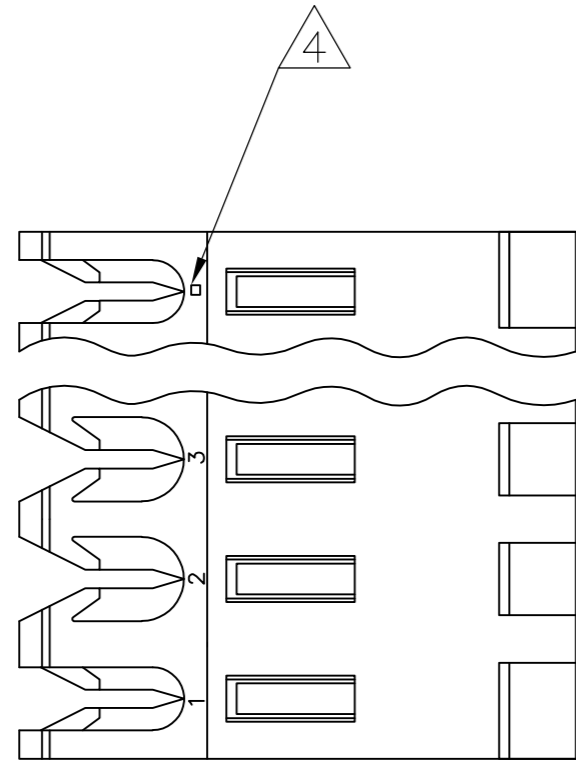


THIS DRAWING IS UNPUBLISHED. RELEASED FOR PUBLICATION  
 © COPYRIGHT - By - ALL RIGHTS RESERVED.

LOC	DIST	REVISIONS					
CM	00	P	LTR	DESCRIPTION	DATE	DWN	APVD
		AA		REVISED PER ECO-12-007612	03AUG12	KH	SM



95.10	[3.744]	24	5-641227-4
91.14	[3.588]	23	5-641227-3
87.17	[3.432]	22	5-641227-2
83.21	[3.276]	21	5-641227-1
79.25	[3.120]	20	5-641227-0
75.29	[2.964]	19	4-641227-9
71.32	[2.808]	18	4-641227-8
67.36	[2.652]	17	4-641227-7
63.40	[2.496]	16	4-641227-6
59.44	[2.340]	15	4-641227-5
55.47	[2.184]	14	4-641227-4
51.51	[2.028]	13	4-641227-3
47.55	[1.872]	12	4-641227-2
43.59	[1.716]	11	4-641227-1
39.62	[1.560]	10	4-641227-0
35.66	[1.404]	9	3-641227-9
31.70	[1.248]	8	3-641227-8
27.74	[1.092]	7	3-641227-7
23.77	[.936]	6	3-641227-6
19.81	[.780]	5	3-641227-5
15.85	[.624]	4	3-641227-4
11.89	[.468]	3	3-641227-3
7.92	[.312]	2	3-641227-2
95.10	[3.744]	24	2-641227-4
91.14	[3.588]	23	2-641227-3
87.17	[3.432]	22	2-641227-2
83.21	[3.276]	21	2-641227-1
79.25	[3.120]	20	2-641227-0
75.29	[2.964]	19	1-641227-9
71.32	[2.808]	18	1-641227-8
67.36	[2.652]	17	1-641227-7
63.40	[2.496]	16	1-641227-6
59.44	[2.340]	15	1-641227-5
55.47	[2.184]	14	1-641227-4
51.51	[2.028]	13	1-641227-3
47.55	[1.872]	12	1-641227-2
43.59	[1.716]	11	1-641227-1
39.62	[1.560]	10	1-641227-0
35.66	[1.404]	9	641227-9
31.70	[1.248]	8	641227-8
27.74	[1.092]	7	641227-7
23.77	[.936]	6	641227-6
19.81	[.780]	5	641227-5
15.85	[.624]	4	641227-4
11.89	[.468]	3	641227-3
7.92	[.312]	2	641227-2

SUPERCEDED

SUPERCEDED

SUPERCEDED

SUPERCEDED

MATERIAL: CONNECTOR - NYLON UL94V-2.  
 CONTACTS - 0.00076[.000030] GOLD THK OR 0.00008[.000003] MIN THK  
 GOLD FLASH OVER 0.00068[.000027] THK PALLADIUM NICKEL,  
 PER TE CONNECTIVITY'S DISCRETION. IN CONTACT  
 AREA WITH BRIGHT TIN-LEAD FOR -2 THRU -28,  
 MATTE WHISKER MITIGATED TIN FOR 3-641227-2  
 THRU 5-641227-4 OVER NICKEL UNDERPLATE.

2 CONTACTS ACCEPT 18 AWG WIRE WITH 2.41[.095] MAX  
 INSULATION DIAMETER.

3 CONTACTS MUST ACCEPT 1.14±0.03 [.045±.001] SQUARE  
 POST AND REMAIN LOCKED IN POSITION.

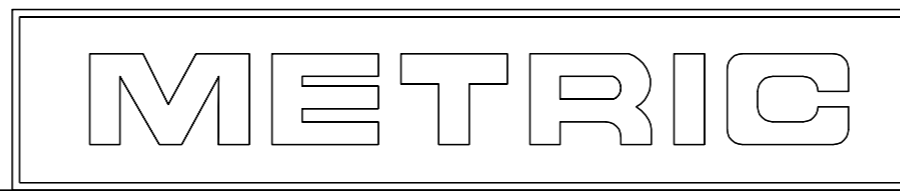
IDENTIFICATION NUMBER FOR LAST CIRCUIT MAY  
 NOT APPEAR ON ALL ASSEMBLIES.

5 DIMENSIONS IN BRACKETS ARE IN INCHES.

6 HOUSING FEATURES ARE: FEED-THRU WITH LOCKING  
 RAMP.

OBSOLETE PARTS: OBSOLETE CIS STREAMLINING PER D.RENAUD/D.SINISI

8 ORANGE COLOR STRIPE ON HOUSING (NOT SHOWN)  
 MAY RUN DOWN BETWEEN RIBS.



THIS DRAWING IS A CONTROLLED DOCUMENT.		DWN B. LEWIS 12 FEB 91	TE Connectivity	
DIMENSIONS: mm [INCHES]		CHK R. SWING 12 FEB 91	NAME	
TOLERANCES UNLESS OTHERWISE SPECIFIED:		APVD D. CLARK 20 FEB 91	MTA-156 CONNECTOR ASSEMBLY, 18 AWG, STANDARD	
0 PLC ± -		PRODUCT SPEC	SIZE	CAGE CODE
1 PLC ± -		APPLICATION SPEC	A2	00779
2 PLC ± -		108-1051	DRAWING NO	RESTRICTED TO
3 PLC ± 0.13 [.005]		114-1020	C=641227	-
4 PLC ± -		WEIGHT	SCALE	SHEET
ANGLES ± -		-	4:1	1 OF 1
FINISH		CUSTOMER DRAWING		REV AA