

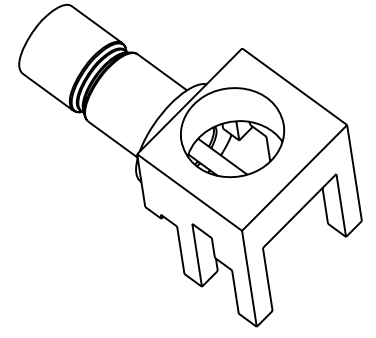
NOTES: FINISH (PLATING THICKNESS IN MICRO-INCHES)

1. MATERIALS AND FINISHES:
 - BODY - ZINC DIECAST, BRIGHT ACID TIN PLATING
 - CONTACT - BRASS, GOLD PLATING
 - INSULATOR - PTFE
2. ELECTRICAL:
 - A. IMPEDANCE: 50 OHM
 - B. FREQUENCY RANGE: DC - 2.4 GHz
 - C. VSWR(RETURN LOSS): 1.06 (30 dB), MAX.
 - D. DIELECTRIC WITHSTANDING VOLTAGE: 750 VRMS, MIN.
3. MECHANICAL:
 - A. DURABILITY: 100 CYCLES MIN.
 - B. TEMPERATURE RANGE: -65° C TO +165° C

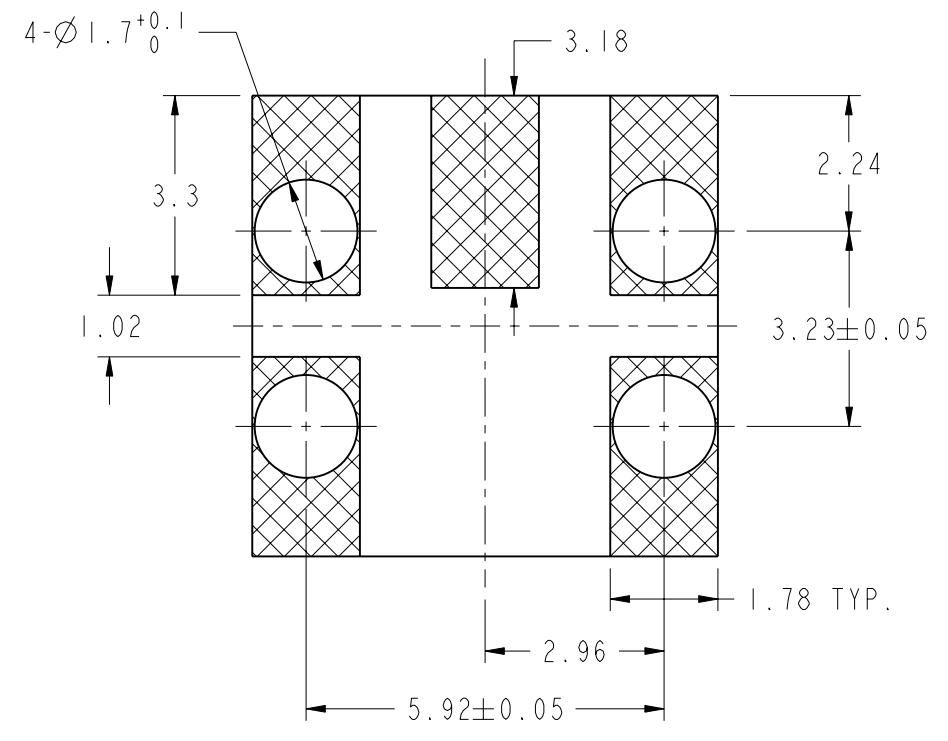
THIRD ANGLE PROJ.

REVISIONS

REV	DESCRIPTION	DATE	ECO	APPR
CI	SEE SHEET 1	09-12-08'		KATE
D	SEE SHEET 1	25-May-10	48074	SCOTT

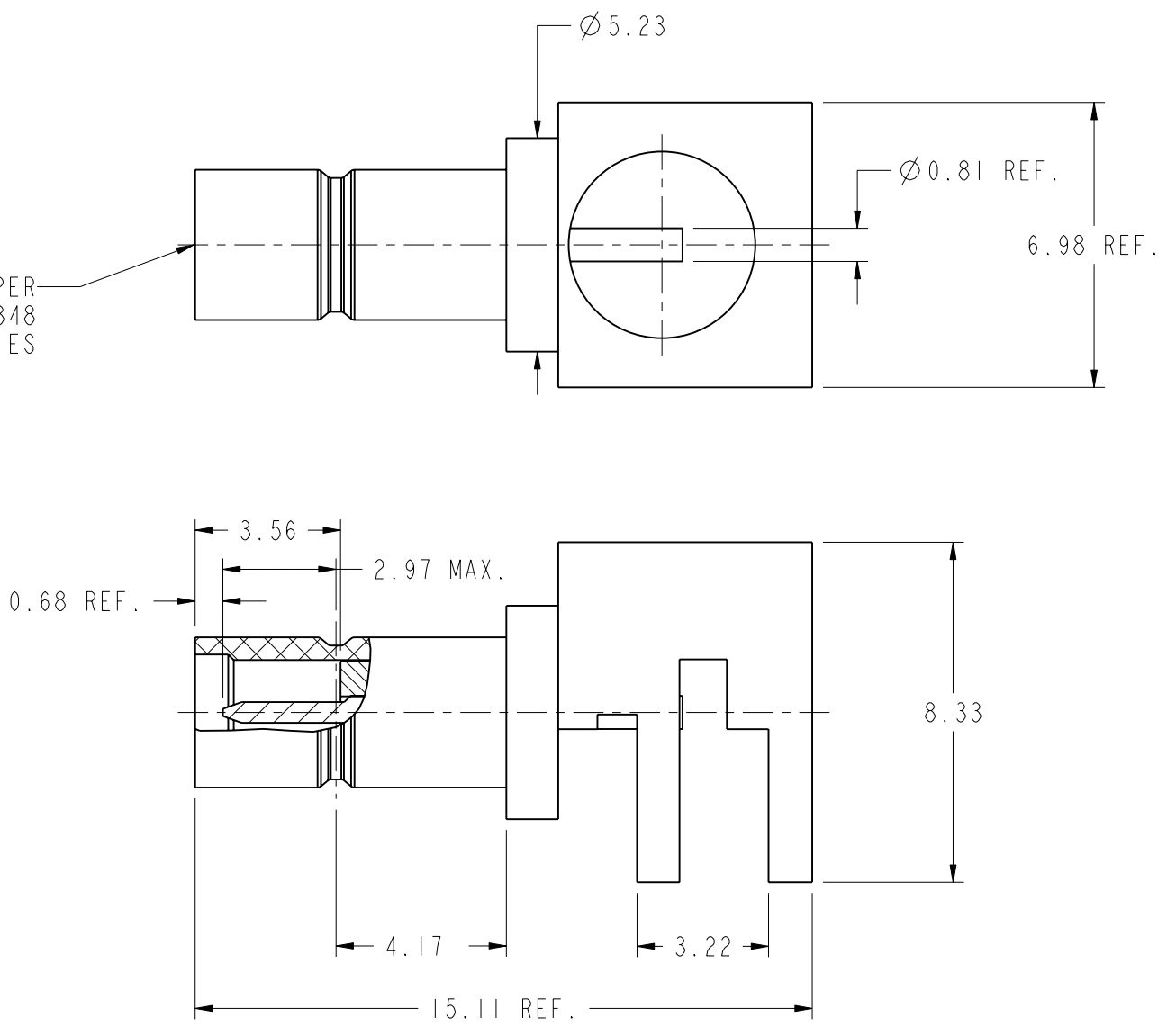


SCALE 3.000



RECOMMENDED P.C.B LAYOUT

INTERFACE PER MIL-STD-348 SMB SERIES



CUSTOMER OUTLINE DRAWING
ALL OTHER SHEETS ARE FOR INTERNAL USE ONLY

UNLESS OTHERWISE SPECIFIED, DIMENSIONS ARE IN METRIC AND TOLERANCES ARE: 0.5 - 6mm ±0.1mm 6 - 30mm ±0.2mm 30 - 120mm ±0.3mm ANGLES ±1° NOTICE - These drawings, specifications, or other data (1) are, and remain the property of Amphenol corp. (2) must be returned upon request; and (3) are confidential and not to be disclosed to any person other than those to whom they are given by Amphenol Corp. The finishing of these drawings, specifications, or other data by Amphenol Corp., or to any other person to anyone for any purpose is not to be regarded by implication or otherwise in any manner licensing, granting rights to permitting such holder or any other person to manufacture, use or sell any product, process or design, patented or otherwise, that may in any way be related to or disclosed by said drawings, specifications, or other data.	MATERIAL	DRAWN L.LI	DATE 24-May-10	TITLE SMB TO PCB			Amphenol RF Danbury CT USA, Tainan, Taiwan, Shenzhen, China www.amphenolrf.com		
	REFERENCE	ENGINEER CISSY	DATE 09-12-08'						
	FINISH	APPROVED S.HSIEH	DATE 24-May-10	SCALE: 6.0:1.0 SHEET 2 OF 2			ITEM NO. 903-723J-51S		
		CAD FILE I:\SMB\903-723J-51S			DWG SIZE B	CODE ID 74868	REV D	PART NO. 903-723J-51S	